

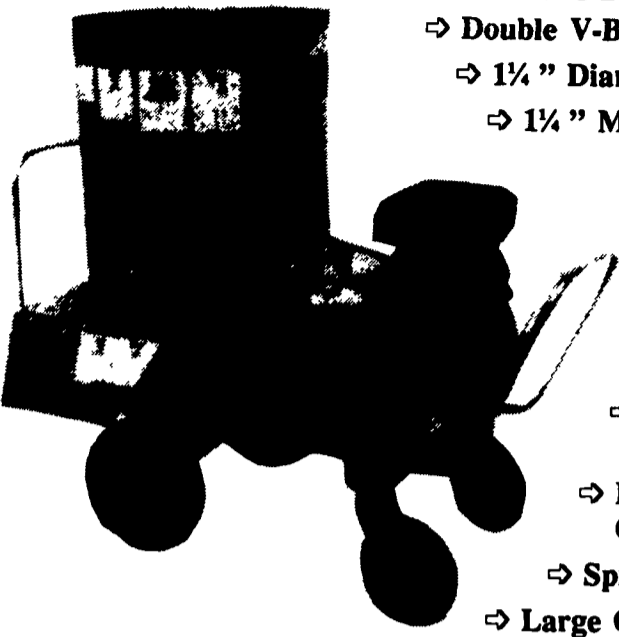
**NEW**

**CUTTING EDGE OF  
CHOPPER TECHNOLOGY**

# CHOP MASTER

14 HP TWIN CYL OHV MOTOR

- ⇒ Double V-Belt Drive System.
- ⇒ 1 1/4" Diameter Rotor Shaft.
- ⇒ 1 1/4" Main Rotor Bearings.
- ⇒ Spring Loaded Idler Pulley
- ⇒ Centrally located handles.
- ⇒ Heaviest Grate on the Market.
- ⇒ Fully Adjustable Grate.
- ⇒ Heavy Gauge Galvanized Steel.
- ⇒ Sprial Cut Knife Rotor.
- ⇒ Large Capacity Round Drum.



**J&D Manufacturing**

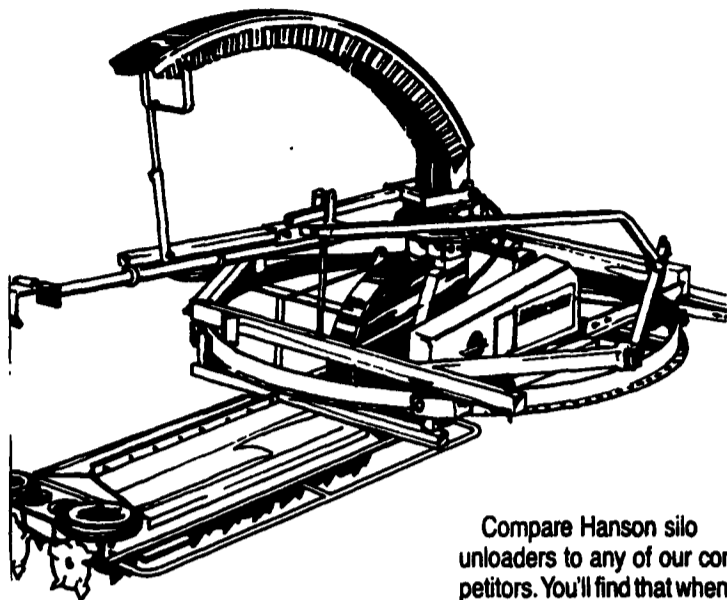
LISTS

## 2,595

Made in USA

**J&D Manufacturing Supplies All Your  
Ventilation Needs From Alley Fans to Tunnel  
and Circulation to Custom Ventilation Systems**

# Experience can't be imitated... quality can't be copied... Hanson can't be beat!



Compare Hanson silo unloaders to any of our competitors. You'll find that when it comes to value, there's no competition. Hanson. There really *is* a difference.

**HANSON**  
*There is a difference*

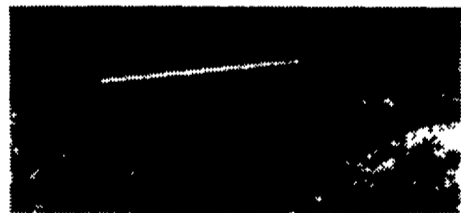


- Piston Pumps
- Vertical Electric Pumps
- Vertical PTO Pumps

Check the



- Trail'r Type Lagoon Pumps
- Prop Agitators
- 3 Point Hitch Pumps
- High Pressure Manure Irrigation Pumps
- Hydraulic Submersible Pumps
- Side Mount Pumps
- Slurry Tankers
- Vacuum Tankers



Replacement Parts and Rebuilds for Nesseth, Badger and Butler Pumps

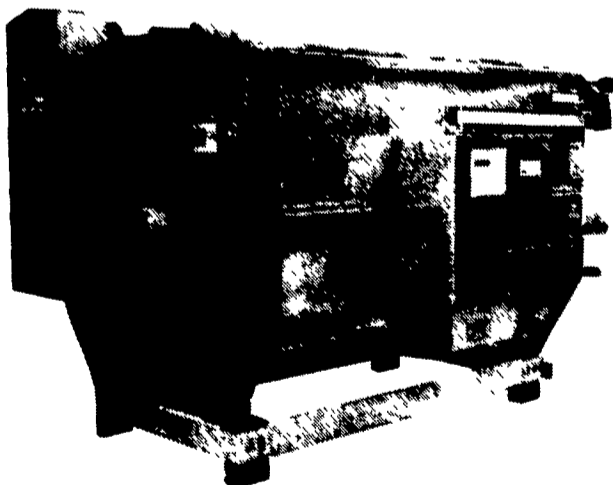
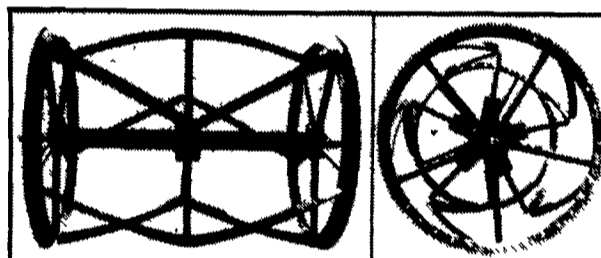
✓ Check with your **N-TECH Dealer** for the most complete line of high quality, performance-proven liquid manure equipment available.  
NTH, Inc. Barron, Wisconsin 54812 (715) 537-9207



**CONVEYING — FEEDING  
EQUIPMENT SPECIALISTS**

### A TMR MIXER WITH A "REEL DIFFERENCE"

**METKO  
1560  
POWER-  
BLEND®  
TMR MIXER**



METKO 1560 BUILT FOR TODAY... AND TOMORROW

**4 COMPANIES PROVIDING YOU THE BEST PRODUCTS AVAILABLE!**

# THE 4ORCE

HANSON • J&D MANUFACTURING • METKO • N-TECH

**DEALERS THROUGHOUT PA, VA, MD, W.V.  
LOCAL WAREHOUSE # 301-223-5151**

**8 AM to 5 PM M-F**

**CALL FOR THE DEALER NEAREST YOU**

or

**CONTACT: KRIS KNUDSEN AREA MANAGER**

**717-653-0385 FAX 717-653-0243**