

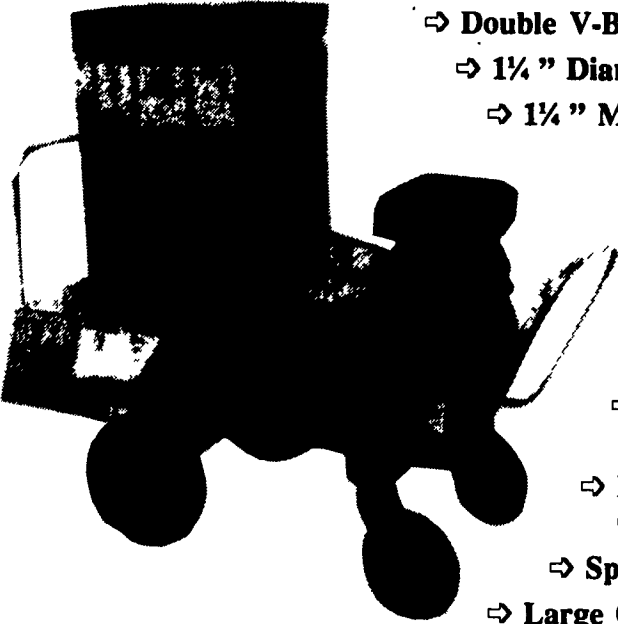
NEW

**CUTTING EDGE OF
CHOPPER TECHNOLOGY**

CHOP MASTER

14 HP TWIN CYL OHV MOTOR

- ⇒ Double V-Belt Drive System.
- ⇒ 1 1/4" Diameter Rotor Shaft.
- ⇒ 1 1/4" Main Rotor Bearings.
- ⇒ Spring Loaded Idler Pulley
- ⇒ Centrally located handles.
- ⇒ Heaviest Grate on the Market.
- ⇒ Fully Adjustable Grate.
- ⇒ Heavy Gauge Galvanized Steel.
- ⇒ Sprial Cut Knife Rotor.
- ⇒ Large Capacity Round Drum.



LISTS

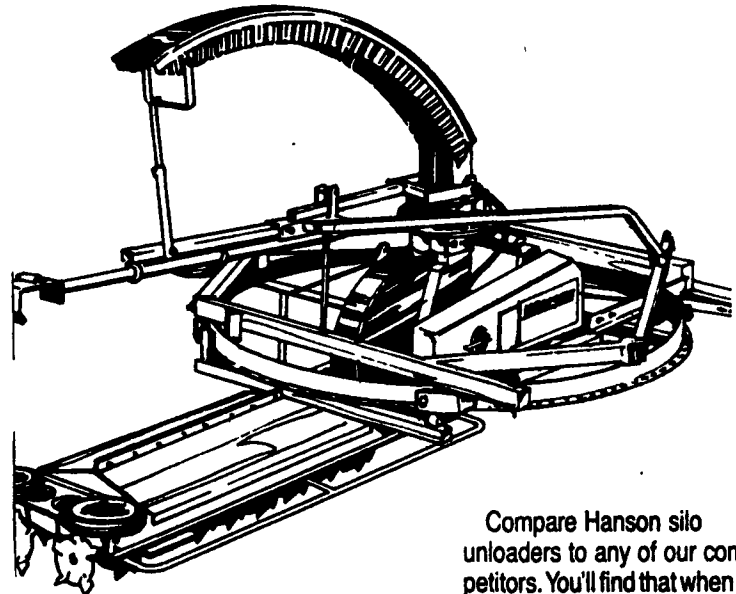
J&D Manufacturing

2,595

Made In USA

J&D Manufacturing Supplies All Your Ventilation Needs From Alley Fans to Tunnel and Circulation to Custom Ventilation Systems

**Experience can't
be imitated...
quality can't be
copied... Hanson
can't be beat!**



Compare Hanson silo unloaders to any of our competitors. You'll find that when it comes to value, there's no competition. Hanson. There really is a difference.



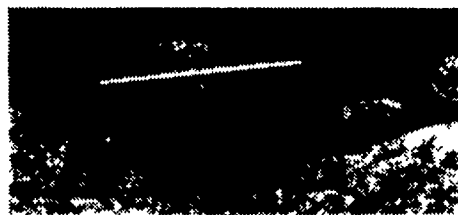
- Piston Pumps
- Vertical Electric Pumps
- Vertical PTO Pumps

Check the



Trail'r Type Lagoon Pumps

- Prop Agitators
- 3 Point Hitch Pumps



High Pressure Manure Irrigation Pumps

Hydraulic Submersible Pumps



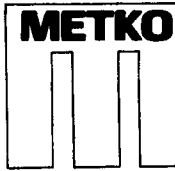
Side Mount Pumps

Slurry Tankers

Vacuum Tankers

Replacement Parts and Rebuilds for Nesseth, Badger and Butler Pumps

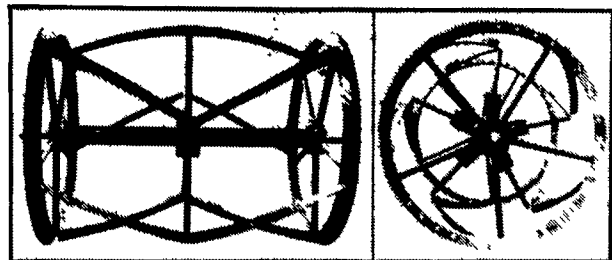
✓ Check with your **N-TECH Dealer** for the most complete line of high quality, performance-proven liquid manure equipment available.
NTH, Inc. Barron, Wisconsin 54812 (715) 537-9207



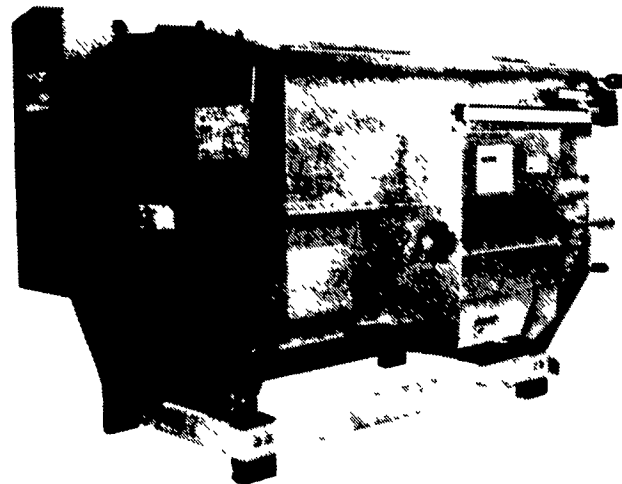
**CONVEYING — FEEDING
EQUIPMENT SPECIALISTS**

**A TMR MIXER
WITH A "REEL DIFFERENCE"**

**METKO
1560
POWER-
BLEND®
TMR MIXER**



**TANKERS
AND
PUMPS
ON
DISPLAY**



METKO 1560 BUILT FOR TODAY... AND TOMORROW

4 COMPANIES PROVIDING YOU THE BEST PRODUCTS AVAILABLE!

**THE
4ORCE**

HANSON • J&D MANUFACTURING • METKO • N-TECH

**DEALERS THROUGHOUT PA, VA, MD, W.V.
LOCAL WAREHOUSE # 301-223-5151
8 AM to 5 PM M-F
CALL FOR THE DEALER NEAREST YOU
or
CONTACT: KRIS KNUDSEN AREA MANAGER
717-653-0385 FAX 717-653-0243**

SEE US AT PENNSYLVANIA STATE FARM SHOW - BOOTHS 146-148 & 155-157