


**ROLLER CHAIN**  
**"INVENTORY CLEARANCE"**



\$25, 35, 40, 41, 50, 60, 80, 120, 140 & 160  
 Stainless #60 & 80  
 Various Lengths - A Lot Of Standard 10' Lengths,  
 But Also Lengths From 2' to 28' Long. Priced From  
 .75¢ Per Ft. All New - But Not All In Boxes  
 Various Mfgs. - Acme, Link Belt, Rex, Diamond &  
 Others - Call or Fax For Detailed List -  
 Will Consider Offers For The Lot  
**PAB'S SUPPLY CO. INC.**  
 Rt. 61, PO Box 102, Kulpmont, PA 17834  
 (717) 733-1514 (FAX 717-373-1292)

**AEP SUNFILM® SILAGE WRAP**  
 20"x6,000x.001 White

1-10 \$68.00      21-47 \$84.00  
 11-20 \$66.00      **SPECIAL**      48 Up \$87.00

**MAKING AGRICULTURE BETTER WITH PLASTIC**

**Corry Roll-Off Wrappers**

**300 SL-Trailer**      **300 ST-3 PT.**

- 3000 Lb. Capacity
- Hydraulic Cut And Hold
- Dual 20" Prestretcher
- Roll-Off Table
- Twin Cylinder Load Arm
- Dual 20" Prestretcher
- Low Discharge Height
- Options:
- Load Arm
- Hydraulic Power Unit

Options:  
 • Hydraulic Power Unit

**WELGER RP 200 BALER**

- 4x4 Bale
- Silage Baler
- Heavy Duty
- Options:
- Net Wrap
- 78" Wide Header

**6 mil SILAGE COVERS**

20'x100' - \$40      32'x100' - \$65  
 24'x100' - \$50      40'x100' - \$85  
 28'x100' - \$80

32'x100' - White - \$110  
 40'x100' - White - \$130      50%  
 50'x100' - White - \$150      Heavier

**MARTIN'S CUSTOM**  
 5920 Maxheimer Rd.  
 St. Thomas, PA 17252  
 (717) 369-5702

Dealers Wanted

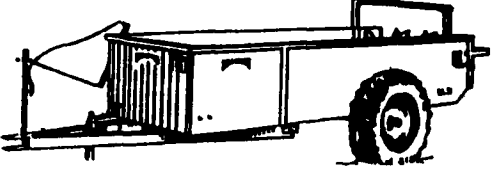
Don't Settle for Less Than the Best!      Ask Our Satisfied Customers

**ATTENTION Case Collectors**  
 Fall Stock Bester, PTO Driven, Trailer Type, Model 550514-H. Asking \$500  
 Mountville, PA  
 (717) 285-4636

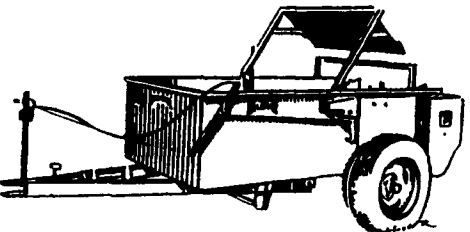
**Engraving Machine Complete With All Accessories and Many Templates**  
 \$1,300  
 (410) 337-3570

**November Special**  
 NI 324 2 RW corn picker, very nice condition, late style  
 \$2,600  
 (717) 768-3197

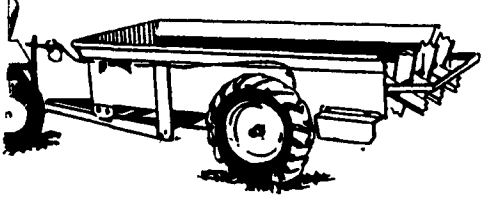
**Affordable Manure Spreaders**



MODEL 75, 62 cubic ft. capacity. Operates behind 18-hp tractor.



MODEL 50, 44 cubic ft. capacity. Shown with optional endgate.



MODEL 25, 28 cubic ft. capacity Fits through 4-foot doors.

Hundreds of small farm operators are using an affordable Millcreek spreader to solve their manure disposal problems.

Why pay for a big spreader when a small one will do?

You have a choice of 4 sizes! Ground drive & PTO models available

**MILLCREEK**  
 Manufacturing Co.  
 2617 Stumptown Rd., Dept. LF  
 Bird-In-Hand, PA 17505  
 (717) 656-3050




3 Pt. Unit Or On Wheels  
 DH 230 Manure Pump 6'-14'  
 Renting Manure Pumps  
 • Hydraulic & Manual Operated.  
 • It Chops Heavy Solids  
 Hydraulic Hoses, Sprockets, Roller Chain, PTO & Gate Belts  
 Stainless Steel & Aluminum Welding  
 Gutter Grates Made To Order  
**UNTESTED PIPES 1/2" to 6" \$.25 lb.**

**NH Balers & Haybine Overhaul**

**DRY HILL FARM SHOP**  
 We Ship  RR 1 Box 426  
 Lykens, PA 17048-9744  
 (717) 365-3109  
 Call 8:00 to 8:30 AM  
 Rt. 25, 1 Mile North of Crossroad Auction  
 Dealer Inquiries Welcome

**Beller Machinery**  
 601 Musser School Rd.  
 Leola, PA 17540  
 717-656-9733

**INVESTMENT TRACTORS FOR SALE**




1950 MH 55 Diesel, Good Tin, Stuck  
 \$1,700

56 Ferg 35 New (0 Hours) Not Redone- Brand New!!!	\$24,500
IH 1468 Cab- Weights- PTO- 3 Pt.- Clean	Coming In
75 IH 1568 Cab- Fair Runner	\$5,900
54 IH S-H Last Year Super H In Restorable Condition	\$1,900
57 JD 320S 3 Pt.- Clean Original- Above Average	\$6,900
57 JD 320U Clean 1 Owner- Fair Repaint- Easy Restore	\$6,500
59 JD 330S Runs Good- Nicely Redone- Good Tag	\$10,500
56 JD 420HC High Crop- Runs- Needs Restored	\$3,400
58 JD 420U Needs Total Restoration	\$1,600
60 JD 430W Factory PS- 5 Speed- Runs Good- Last Year	\$3,900
60 JD 530 3 Pt.- Power Steering- New Frt Tires- Redone	\$4,900
57 JD 620 Try- 3 Pt.- Decent Tin- Rare All Fuel	\$3,500
57 JD 620S Standard- Nicely Redone- Well Above Average	\$5,900
58 JD 720 Pony- WF- 3 Pt.- Runs OK- Nicely Redone	\$5,100
57 JD 720S Pony- Standard- Good Tin- Stuck	\$2,350
59 JD 730 DE- WF- 3 Pt.- Fenders- Good Tin- Runs Fair	\$3,900
59 JD 730S Pony- Standard- Nicely Redone	\$5,900
55 JD 80 Off Farm Condition- Fair Tires- Good Tin	\$4,700
57 JD 820 Pony- PTO- Needs Restored- As Is	\$2,600
58 JD 820 Runs- No Pony- Poor Tires- Fair To Good Tin	\$2,900
58 JD 820 Pony- PTO- Clean Untouched Tractor	\$4,900
59 JD 830 Pony- Poor Tires- Good Tin- Runs	\$4,900
59 JD 830 PTO- 2 Remotes- Overhauled Engine- Redone	\$8,500
59 JD 830 DE- Overhauled- 80% Tires- Good Tin Redone	\$8,900
36 JD A Unstyled- Runs Good- Easy Restore- Good Tin	\$2,700
35 JD A Unstyled- Good Tires & Tin- Decent Paint	\$3,100
37 JD A Unstyled- Factory Steel- Runs Good	\$3,200
36 JD A Unstyled- Factory Round- Runs Good	\$3,500
51 JD AR Styled- Nicely Painted- New Rear Tires	\$4,900
50 JD AW WF- Fenders- Clean- \$2000 Engine Work Done	\$3,900
50? JD B Cyclone w/Cult- Good Rubber- As Traded	\$1,450
38 JD B Unstyled- New Paint- Spokes- Runs Good	\$3,200
37 JD B Unstyled- New Rear Tires- Decent Paint	\$3,500
37 JD B Unstyled- Spokes- Nicely Redone- GD Tin	\$4,200
41 JD D Styled- Hand Start- Good Tin- Decent	\$2,700
49 JD D Styled- Runs- As Received	\$2,700
39 JD D Styled- PTO- Front Spokes- Decent	\$2,700
49 JD D Styled- Runs- As Received	\$2,700
50 JD G Try- Decent Tin- Runs Good- Needs Paint	\$2,700
51 JD G Runs- As Received	\$2,900
48 JD G Good Tin- Runs Good- New Tires- Nicely Redone	\$4,650
38 JD G Unstyled- Good Tires- Good Tin- Runs Good	\$5,200
41 JD G Unstyled- Last Full Year Of Prod.- Nice Unit	\$5,300
51 JD GW WF	Coming In
50 JD M Good Tires- Fair Tin- Runs Good- To Restore	\$1,400
51 JD MT Clean Tin- Runs- Needs Restored- As Received	\$1,200
49 JD MT Fenders- Weights- Fair Tin- To Restore- Runs	\$1,600
50 JD MT Widefront- Runs- To Restore	\$1,800
52 JD R	Coming In
54 JD R Last Year- Good Tin- PTO- Hydraulics- Stuck	\$2,400
53 JD R Runs- Needs Restored	\$2,800
51 JD R Overhauled- Good Tin- Repainted- Good Cond.	\$4,900
63 MF 97 4x4- Cab- Runs- Good Tires- Good Tin	\$4,900
61 MF 98 GM Diesel- Runs Good- Thin Paint	\$4,800
60 MF 98 GM Diesel- Runs Good- Nicely Redone	\$5,900
50 MH 55 Diesel- Standard- Good Tin- Stuck	\$1,700
52 MH 55 Diesel- Standard- PS- PTO- Good Tin- Stuck	\$1,900
53 OL 66 Widefront- Fenders- Nice Tin- 2 Remotes	\$1,800
57 OL 880 Diesel- Standard- New Tires- Very Nice	\$4,900
60 OL 990 GM Dsl- Poor Tires- Good Tin- Runs Good	\$4,900

*I Will Buy Clean Or Odd John Deere's. Buy-Sell-Trade.  
 Lots Of Older Sales Literature, Toys And Pedal Tractors For Sale.  
 Lots Of Owners Manuals/Parts Book — Call.*

**LLOYD WENGER**  
 251 S. Race St., Myerstown, Pa. 17067  
 717-866-2130 Days 717-866-7147 Evenings

**EDWIN HORNING & SONS FARM MACHINERY**  
 248 Meadow Valley Road, Ephrata, PA 17522  
 (717) 733-7408



**TRACTORS**

JD 2550 diesel, Indp. PTO..... \$11,500  
 IH 826 diesel, new TA, new engine rebuilt, nice..... \$7,900  
 JD 2640 diesel, late model, Indp. PTO..... \$10,800  
 JD 4430 diesel, ca. SOLD PS..... \$14,500  
 Deutz 6807, 68 HP, 3500 hrs., 1982 model..... \$6,850  
 Cockshutt 550 Gas..... \$3,200  
 JD 650 diesel w/belly mower, very nice, 1100 hrs..... \$5,200

**FORAGE EQUIP.**

Gehl 970 forage wagon, 3 beater w/roof, tandem gear, nice..... \$5,800  
 Gehl 960 forage wagon, 3 beater, roof, tandem gear, nice..... \$4,500  
 Dion forage wagon, 3 beater, roof..... \$1,250  
 NH 782 harvester, elect. controls, metal alert base unit, nice..... \$4,900  
 NH 27 blower..... \$425  
 JD 3940 harvester, base unit..... CALL  
 Gehl 1580 blower, 1000 RPM..... \$950  
 NH 40 Blower, 1000 RPM..... \$1,850

**TILLAGE EQUIPMENT**

JD 900 5 shank, V ripper..... \$1,575  
 Bush Hog 10T chisel, 3 pt..... \$1,225  
 Brillion 10T chisel..... \$1,325  
 Hutch Master, 12' tillage disc..... \$3,250  
 Krause 12' offset disc..... \$3,400  
 Case IH 5100 Grain Drill 18x7 dd, soybean special..... \$2,800  
 IH 510 Grain Drill, 21x7 late model, marker gauge, nice..... \$2,200  
 AC 14' field cultivator, pull type..... \$1,050

**HAY EQUIPMENT**

Case IH 3309 discbl. SOLD..... \$6,900  
 Deutz Allis SM70RC, 9' discbine..... \$3,600  
 NH 489 haybine..... \$3,750  
 JD 1219 mower conditioner..... \$4,100  
 NH 315 bale SOLD thrower..... \$3,500  
 NH 479 haybine SOLD..... \$1,575  
 Hesston 1071, 7' haybine..... \$1,750  
 Hesston 4600 In-Line SOLD..... \$2,200

**MISC. EQUIP.**

Ford NH 680 tandem manure spreader, 287 bushel..... \$4,300  
 M&W gravity bin w/gear..... \$950  
 Case-Davis 3 pt. backhoe..... \$1,950  
 AC-KL238 combine, 2R snapper head, nice..... \$650  
 Tallgate For NI 363 Manure Spreader..... \$125

**CORN PICKERS**

NI 323 1R..... \$1,000  
 JD 300, 3 RN Head..... \$5,300  
 NI 325 NR, 12 roll bed..... \$3,100  
 NI 325 NR, 8 roll bed..... \$3,350  
 NI 323 1R..... \$1,950  
 (2) NI 324 WR pickers, 12 roll beds, late model, nice..... \$3,200-\$3,500  
 NI 323..... \$1,750

13' S Tyne field cultivator, w/rolling basket..... \$1,200  
 IH 153 4R cultivator SOLD..... \$800  
 IH 5100 drill, 21x7 soybean special w/press wheels..... \$3,200  
 JD 2800 5B Plow, Variable Width, Spring Reset..... \$3,800  
 White 598 plow, variable width, 5 bottom spring reset..... \$4,200  
 White 588 plow, 4x18, cushion trip..... \$1,450