

Common Sense.

When Jim and Sandy Bailey of Spring Grove, PA, built their first 85,000 bird layer house in 1981, they wisely chose Big Dutchman and Hershey Equipment. Through the years, their records ranked among the best in the industry.



PROFIT-TIER 420

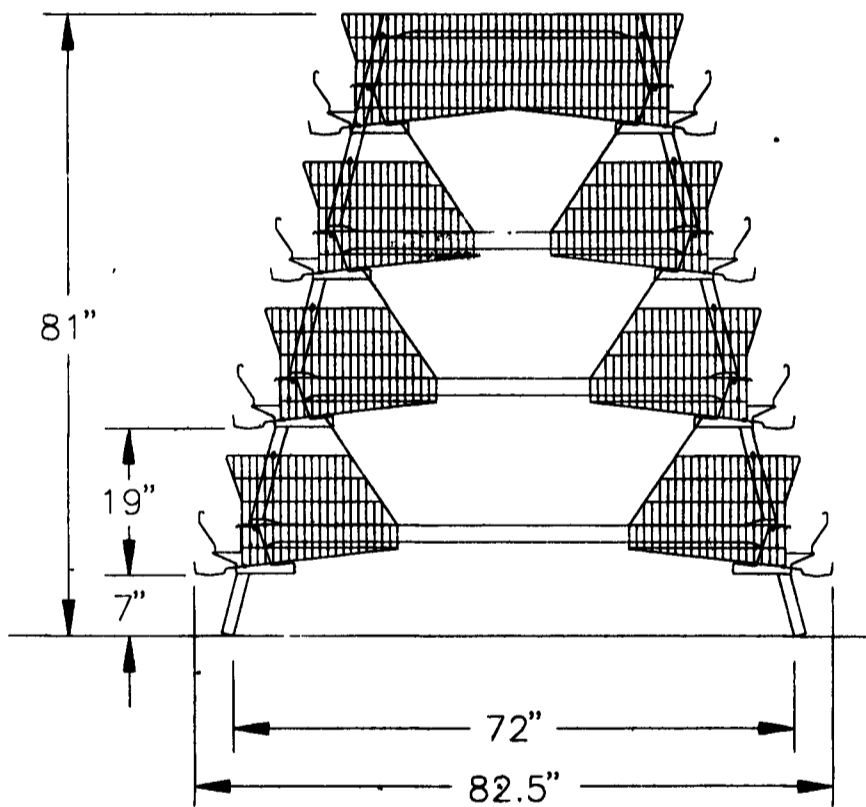
Big Dutchman offers the important features that make a cage system work better and last longer.

Big Dutchman Cages, Feeders and Egg Collectors The Perfectly Suited Systems

Big Dutchman For Reliable, Safe Egg Collection and Handling from Cage to Packing Room



Two years ago, Jim and Sandy decided to expand their operation by 125,000 birds. They knew Big Dutchman was the only way to go! This year they built another house and again chose Hershey and Big Dutchman. And by the spring of 1994, birds will be housed in a fourth house. Years of dependable service and results from Big Dutchman chain feeder, An egg collecting system that gently handles the eggs for fewer cracks. A cage design proven throughout the industry. BIG DUTCHMAN.



HERSHEY EQUIPMENT CO. SAYS

“WELL DONE!”

To Jim and Sandy Bailey For Their Superior Performance Records
Thank You for Continually Choosing Big Dutchman and Hershey Equipment.



“Common sense told us we’ve come this far by making smart decisions. We were not going to change now. The Big Dutchman chain feeder gives us the reliability and results to keep a step ahead.”

Jim Bailey

HERSHEY
 EQUIPMENT CO.
 200 PLUM TREE DRIVE, LANCASTER, PA 17602
 (717) 393-2217



Big Dutchman.

IF IT'S WORTH YOUR INVESTMENT, TRUST IT TO HERSHEY