

2 FARM EQUIPMENT WANTED

30 to 50 hp tractor, live PTO, 3pt hitch, utility tractor, gas, or diesel, suitable for mowing and light work. Locust Township, RR3, Box 119A, Catawissa, PA 17820.

JD KBA Discs to overhaul. Call 7:30-8 AM (717)786-7363 John K. Esh, 2133 Mine Rd., Paradise, PA

ROTARA 10' to 15' wanted to buy or rent. Rolling Ridge Farms, 2080 Ehrman Road, Evans City, PA 16033, 412/538-4200.

WANTED: Circle saw to fit front of 2 cyl. JD. Steve Haugh, 717-266-2181.

3 SILOS AND UNLOADERS

25' Goliath unloader; 20' Goliath unloader. 814-328-5222.

Butler Oswalt 2840 TMR trailer mixer, 280 cu.ft., electronic scales, as is, \$1500. 717/672-2213.

Fickes 16'x40' Stave silo w/roof. Cumberland Co. 717-258-6010.

Ribstone Silo, 22x70, complete w/roof, tripod, filler pipe, ladder & doors, \$4200. Lackawanna Co. 717-587-1725.

Used 12' & 16' V-2 Jamesway Unloaders, both in fair shape. Star Silos 717/866-5708.

Used 20x70 Lancaster silo; used 14x60 Lancaster silo, new roof & chute. Myron Stoltzfus, 717/768-3993.

Van Dale 216 cu.ft. mixer digital electronic scale for \$4500 609/769-3140.

WANTED: Concrete stave silos, will remove. Fair prices paid. 215/273-3993.

We pay top dollar for used Harvestores and Slurrystores. 717-354-4051.

SLURRYSTORE

6218 w/Pump
(717) 966-0860
(717) 966-2624
(717) 966-9708

Fiberglass Bulk Feed Bins



Capacities from 2 1/2 ton to 30 ton



- Wood conveyors, pressure treated sides, bottom and top delivery
- Taper board feeders, bottom delivery, optional poly rails and slats
- Farmaster & Rissler mixers
- Generac alternators

E. Rissler Mfg.
Box 197 RD #1, New Enterprise (South Central) PA
(814) 766-2246



DETWEILER SILOS

New Concrete Stave Silos
New and Used Extensions
All Types Silo Repair
Teardown and Rebuild
Silo Relining



Write or call:

808 Oakville Road, Newville, PA 17241
(717) 532-3039

MARTIN'S SILO REPAIR

Moving Concrete Stave Silos

- Gunite Relining
- Fill Pipes
- Distributors
- Roofs
- Replacement Doors
- General Repair

907 Centerville Rd.
New Holland, PA 17557
(215) 445-9834

WANTED Used Fickes Silos

- Will Remove
- Fair Prices Paid

1-800-224-SILO

HARVESTORE® STRUCTURES AND UNLOADERS FOR SALE

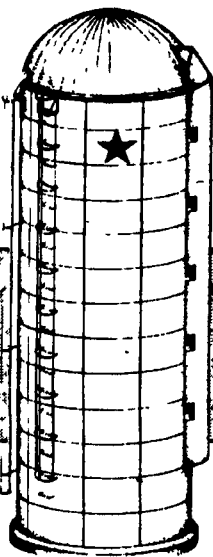
- (1) Model 4500 Flygt Agitator Pump
- (1) 17x40 down on skids
- (3) 20x27 down on skids
- (1) 20x40 down on skids
- (1) 17' Hercules Unloader
- (1) 20' Hercules Unloader
- (1) 20' Sweep Arm Auger Unloader
- (1) 20' Goliath Unloader Model 74
- (1) 20' Goliath Unloader Model 70
- (1) 20' Goliath II Unloader (New)

Skids of pre-owned sheets for various uses (swimming pools, etc)

Also have 3.5 and 7 1/2 hp motors
For more information, call
(717) 265-2392

After 6 pm, call **(717) 265-2960**

★ STAR SILOS ★



will give you the best price possible in service repair and parts for Jamesway, Little David, Van Dale unloaders: Call us if you need a quote on guniting, roof repairs, silo doors, chutes replaced & safety cage installed.

Call Today!
717-866-5708

J. Robert Brubaker 717-464-3136

John Swope 717-933-4758

USED HARVESTORES® & SLURRYSTORES®

In stock ready for installation.
NEW ERECTION KITS and QUALITY STRUCTURES GUARANTEED. WE EMPHASIZE QUALITY!
So Check With Us Now - The Price Is Right

- * 62x19 Slurry; 20x80 - 13B w/Gol. 74; 20x41 - 12B w/New PSA; 17x50 - w/Rebuilt Hercules, white roof;
- * Rebuilt Goliath & Hercules unloaders w/warranty
- * New Power Sweep Augers
- * Used Harvestore® Roller Mills
- * Any replacement parts - Gol. or Herc.

* REXNORD CHAINS - Gol. 20' = \$725.00

"Used Harvestores®" is our Business Since 1975

Better Bilt Storage, Inc.
Sugar creek, Ohio
216-852-4088

Not affiliated with A.O. Smith Harvestore Products, Inc.

BARN CLEANERS



Built to clean faster...
built to last longer!

All-forged Hook-Link® chain... available on Super 300 and Super 500 barn cleaners
Extra thick steel at all wear points

IMPORTANT: Look for the "parting line" on any barn cleaner chain you buy. It shows where excess metal has been trimmed off. It is your assurance that the link was totally forged, not just punched out of a flat steel bar with grain flow in one direction only.

You want a totally-forged link because forging changes the grain on the steel, causing it to curve in unbroken flow lines around the contours of the link, giving the link greater strength to serve you longer.



1/4" Paddles

YOU WON'T BEAT OUR PRICES & SERVICE

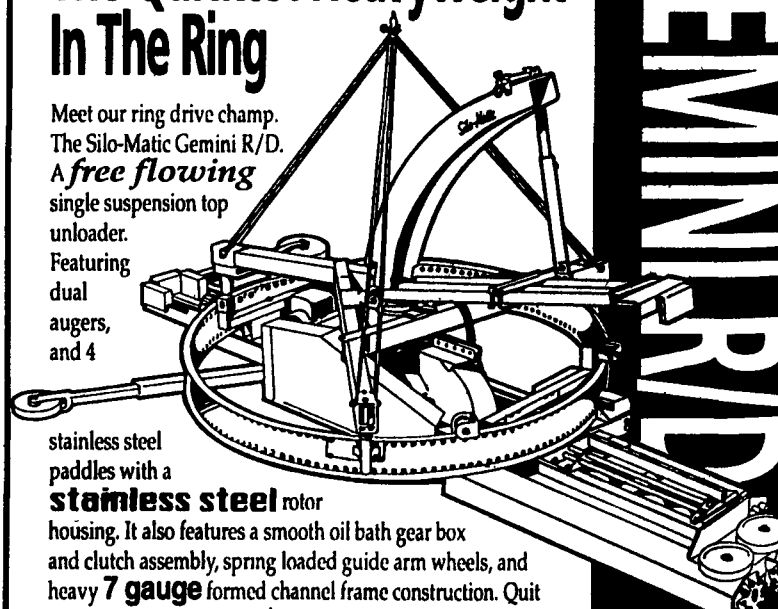


LAPP'S BARN EQUIPMENT

5935 OLD PHILADELPHIA PIKE, GAP, PA 17527
PHONE: 717-442-8134
— Radio Dispatched Trucks —

The Quickest Heavyweight In The Ring

Meet our ring drive champ. The Silo-Matic Gemini R/D. A free flowing single suspension top unloader. Featuring dual augers, and 4



stainless steel paddles with a stainless steel rotor housing. It also features a smooth oil bath gear box and clutch assembly, spring loaded guide arm wheels, and heavy 7 gauge formed channel frame construction. Quit fighting with your old unloader. Get the heavyweight that goes the distance - Silo-Matic's Gemini R/D.

Contact Your Silo-Matic Dealer Today!

FICKES/SILO COMPANY, INC.
Manufacturers & Builders



NEWVILLE, PA 17241

717 776-3129
1-800-224-SILO

GEMINI R/D

Built To Handle The Daily Grind.

