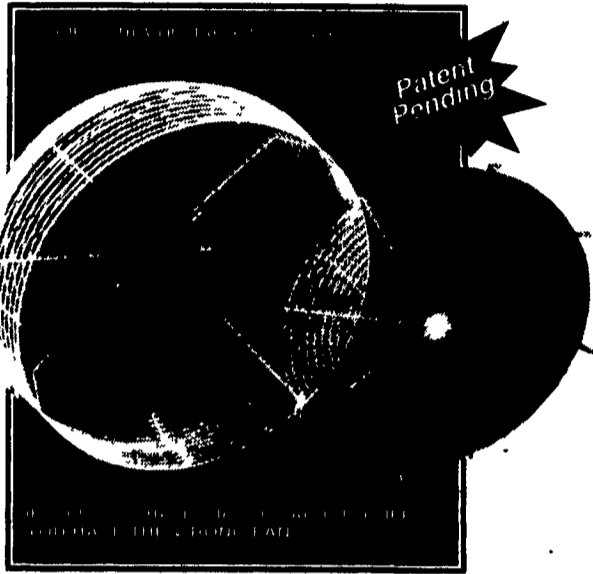


Visit Us At Ag Progress Days
Between 3rd & 4th Streets

BARNSTORMER

AIR CIRCULATION AT IT'S BEST

NEW 1993 CONVEX SHAPE DESIGN



BARNSTORMER AIR PATTERN
Floor to ceiling mixing and dispersing under, over and around your livestock for maximum benefits

EXCLUSIVE OPEN FRONT

Hinged front simply unhook and pull open for easy access. Special Patented Design allows more air flow and a much wider air pattern.

12" BARNSTORMER 2800 - CFM:
Ideal for small buildings, nurseries and calf barns.

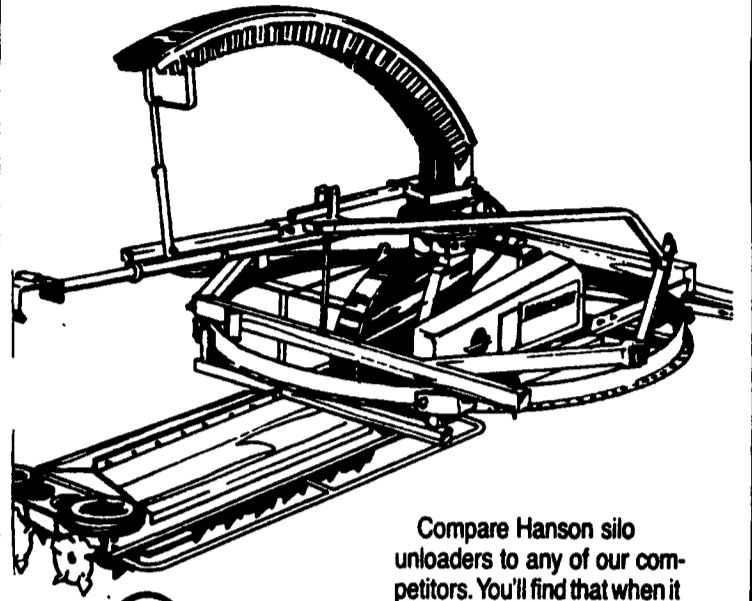
20" BARNSTORMER 6000 - CFM:
Perfect for all medium size agricultural buildings with low ceilings.

24" BARNSTORMER 8500 - CFM:
Best all around circulating fan for any building and any size animals. Available in 3 phase.

36" BARNSTORMER 11200 - CFM:
A giant of a fan for larger buildings and bigger animals. Single speed only. Available in 3 phase.

J&D Manufacturing Supplies All Your Ventilation Needs From Alley Fans To Tunnel and Circulation, To Custom Ventilation Systems.

Experience can't be imitated...
quality can't be copied...Hanson can't be beat!



Compare Hanson silo unloaders to any of our competitors. You'll find that when it comes to value, there's no competition. Hanson. There really *is* a difference.

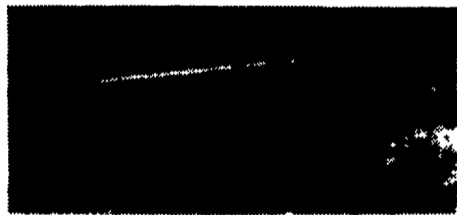


- Piston Pumps
- Vertical Electric Pumps
- Vertical PTO Pumps

Check the



Trail'r Type Lagoon Pumps



Prop Agitators

3 Point Hitch Pumps



High Pressure Manure Irrigation Pumps

Hydraulic Submersible Pumps

Side Mount Pumps

Slurry Tankers

Vacuum Tankers

Replacement Parts and Rebuilds for Nesseth, Badger and Butler Pumps

Check with your **N-TECH Dealer** for the most complete line of high quality, performance-proven liquid manure equipment available.
NTH, Inc. Barron, Wisconsin 54812 (715) 537-9207

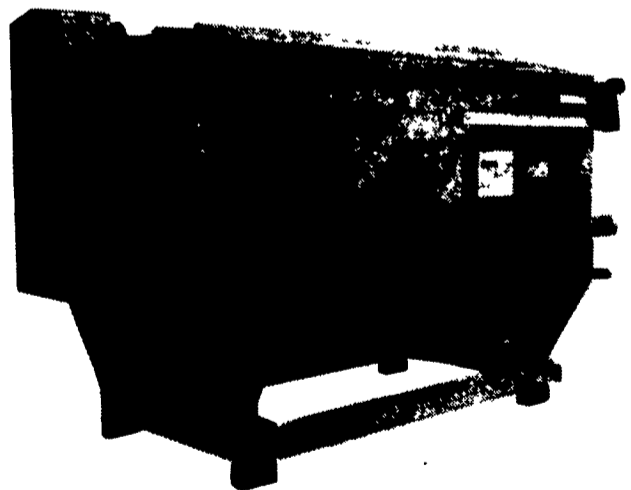


CONVEYING — FEEDING
EQUIPMENT SPECIALISTS



A TMR MIXER
WITH A "REEL DIFFERENCE"

METKO 1560 POWER-BLEND® TMR MIXER



METKO 1560 BUILT FOR TODAY... AND TOMORROW

4 COMPANIES PROVIDING YOU THE BEST PRODUCTS AVAILABLE!

THE
4ORCE

HANSON • J&D MANUFACTURING • METKO • N-TECH

DEALERS THROUGHOUT PA, VA, MD, W.V.
LOCAL WAREHOUSE # 301-223-5151
8 AM to 5 PM M-F
CALL FOR THE DEALER NEAREST YOU
or
CONTACT: KRIS KNUDSEN AREA MANAGER
717-653-0385 FAX 717-653-0243