

**VERSATILE — RUGGED — RELIABLE and REASONABLY PRICED**

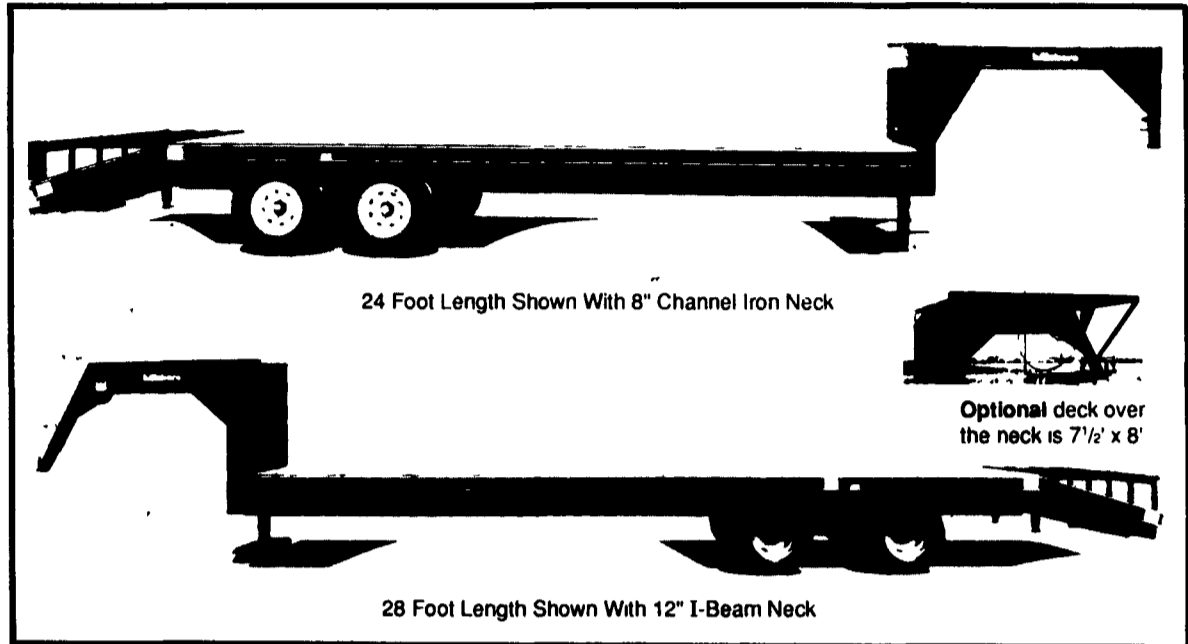


# HILLSBORO flatbed trailers

*with flip-up beaver tail*

**GOOSENECK OR STRAIGHT HITCH**

**When you buy a trailer from Farmersville Equipment it is ready to go to work! All trailers are thoroughly pre-delivered, PA State inspected, Temporary license issued and title work completed.**

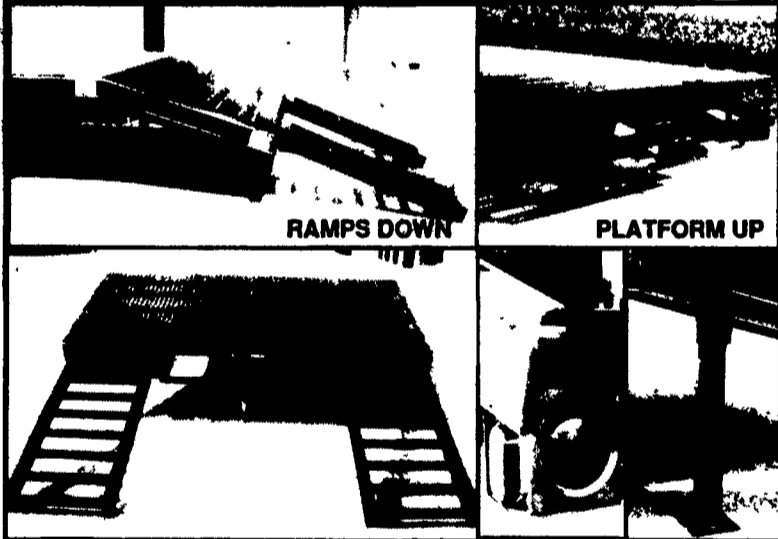


24 Foot Length Shown With 8" Channel Iron Neck

Optional deck over the neck is 7 1/2' x 8'

28 Foot Length Shown With 12" I-Beam Neck

The **FLIP-UP BEAVERTAIL** raises and lowers in seconds. Slide out ramps are stored under the beavertail. A full 96" deck width is standard.

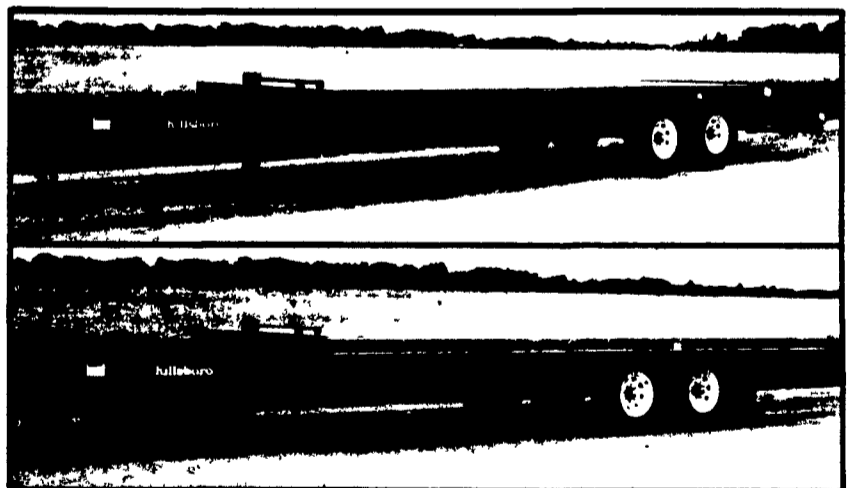


**HERE'S WHAT HILLSBORO QUALITY MEANS** - All Hillsboro trailers are manufactured in precise jigs and fixtures which assures excellent alignment of axles, a better pulling trailer, a level and square trailer.

**HILLSBORO WORKMANSHIP INCLUDES** - Exceptional weld quality, material that is chemically cleaned, two coats of high quality paint, material strength engineered into the best flatbed value.

**Standard Features:**

- \* Two strong gooseneck designs
  - 12" I-Beam on 28' through 34' models
  - 8" Channel on 20' through 24' models
- \* 10" wide flange beam on frame
- \* Lengths from 20' through 34'
- \* 96" bed width
- \* 2" pressure treated lumber floor
- \* Flip-Up Beavertail with slide out ramps
- \* Stake pockets with tubing inserts
- \* Adjustable innerpipe
- \* Electric brakes on all axles
- \* 10 gauge steel cross members
- \* Sealed beam tail lights



Straight Hitch Models available in 20' - 34' lengths

**TRAILERS IN STOCK AND READY FOR IMMEDIATE DELIVERY**

1 - New 1993 Hillsboro 24' Flatbed Heavy Duty Gooseneck Trailer w/Flip Up Beaver Tail With Lift Assist & Loading Ramps. 7 1/2' x 8' Deck Over Neck, 12" Cross Member Spacing, Two 8500# Two Speed Dropleg Jacks, 2-5/16" Ball Coupler, Two 7000# Single Wheel Axles With Electric Brakes, 8.75x16.5-10 Ply Tires, 14,250# GVW, Safety Break Away Switch, Steel Battery Box, 12 Volt Wet Cell Battery, PA State Inspected & Completely Serviced. (Trailer Painted Red)..... **\$5,895.00**

1 - New 1993 Hillsboro 28' Flatbed Heavy Duty Gooseneck Trailer w/Flip Up Beaver Tail with Lift Assist & Loading Ramps. 7 1/2' x 8' Deck Over Neck, 12" Cross Member Spacing, Two 8500# Two Speed Dropleg Jacks, 2-5/16" Ball Coupler, Three 7000# Single Wheel Axles With Electric Brakes, 8.75x16.5-10 Ply Tires, 21,380# GVW, Safety Break Away Switch, Steel Battery Box, 12 Volt Wet Cell Battery, PA State Inspected & Completely Serviced. (Trailer Painted Black)..... **\$7,495.00**

1 - New 1993 Hillsboro 28' Flatbed Heavy Duty Gooseneck Trailer w/Flip Up Beaver Tail with Lift Assist & Loading Ramps, 2-5/16" Ball Coupler, Two 9000# Dual Wheel Axles With Electric Brakes, 8.75x16.5-10 Ply Tires, 21,270# GVW, Safety Break Away Switch, Steel Battery Box, 12 Volt Wet Cell Battery, PA State Inspected & Completely Serviced. (Trailer Painted Black)..... **\$7,495.00**

# FARMERSVILLE EQUIPMENT

142 East Farmersville Rd., Ephrata, PA 17522  
 Located in the Village of Farmersville  
 (717) 354-2150

**LEASING AVAILABLE FOR HILLSBORO TRAILERS**

**STORE HOURS:**  
 MON. THRU  
 FRI. 8 AM - 5 PM;  
 SAT. 8 AM - 12 NOON