

John Deere... A Way of Life™



JOHN DEERE

Before You Buy, Give
Our Salesmen A Call.

717-291-1046

Or In Pennsylvania, Call Toll-Free

1-800-524-3276
(1-800-LBI-FARM)

Mon. Thru Thurs. 7 AM To 5:30 PM Sat. 7 AM-3 PM
Friday 7 AM To 8 PM



**TILLAGE
EQUIPMENT**



**LANDSCAPE
POWER RAKE**

WE SHIP DAILY

USED TRACTORS

- JD 2750 75-HP, 8 Speed.....\$15,900
- JD 4520 140-HP, Syncro-Range.....\$12,500
- JD 4620 150-HP, 8 Speed, Cab, Duals.....\$13,500

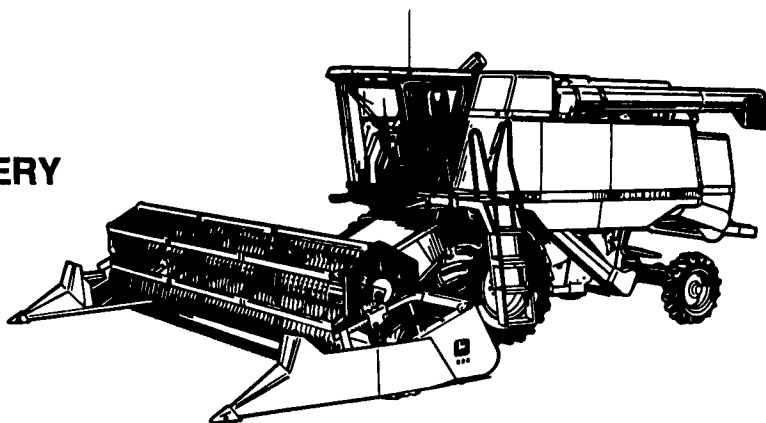
USED TILLAGE

- JD F145 4B16 Plow\$850
- JD 2500 5B18 Spring Reset.....\$2,500
- JD 2500 5B16 Spring Reset.....\$3,650
- JD 2000 4B18 Spring Reset.....\$5,500
- Farmhand 21-Ft. Wing Fold Pulv.....\$4,950
- JD 10' Roller Harrow.....\$825

USED COMBINES

**GOOD SELECTION
READY FOR IMMEDIATE DELIVERY**

0% Interest Til
Sept. 1, 1993



- JD 6620 SH, Hydro, AHHC, Straw Spreader, 2260 Hrs\$31,500
- JD 4400, Variable Speed, Straw Spreader, 2333 Hrs.\$17,000
- JD 6620 SH, Hydro, AHHC, Straw Spreader, 2830 Hrs.\$31,500
- JD 7700, Diesel, Hydro, 3489 Hrs.....\$12,500
- JD 4420, Variable Speed, AHHC, Straw Spreader, 2672 Hrs.\$20,500
- Gleaner L2, Hydro, w/15-Ft. Flex, 6R30, 1954 Hrs.\$29,500

USED FLEX PLATFORMS — 15 FT. • 16 FT. • 20 FT.

MISC. EQUIPMENT

- IHC 6R 30 Cult.....\$ 900
- Little Giant 28 Ft. Bale Elevator With Motor\$1,150
- JD 885 6R 30 N **SOLD**\$4,950
- JD 780 Hydra-Push Spreader w/Endgate.....\$8,500

PLANTING EQUIPMENT

- IHC 800 6R30 Corn Planter.....\$2,650
- JD 7000 6R30 Cons. Planter w/Frame Coulters, Liquid Fert.\$8,850

No One Matches Our Brand

**Make Hay Faster...
with Our Help**

We have genuine John Deere parts to help keep John Deere haying equipment running smoothly. And we can use the JD Cross+Search® system to match John Deere parts to other brands of equipment. Come in today and see for yourself!

Rake Teeth

John Deere rubber-ball rake teeth allow 360-degree flexibility for long life and clean raking.

\$3.06

Part No. AB47389

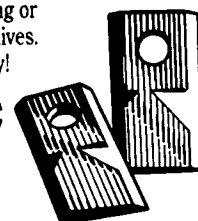


Rotary Disk Knife

Haying time will soon be here. So now's the best time to replace any missing or broken knives. Save today!

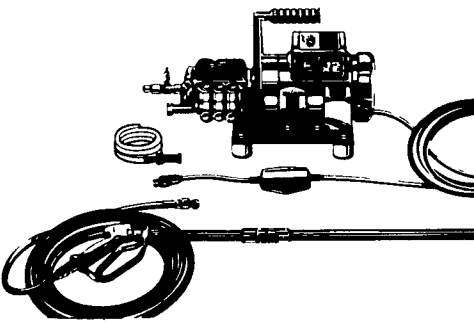
86¢

CC20500



All the parts...all the service...all the time!

**High-Powered
Pressure
Washer**



John Deere 15EX cold-water pressure washer knocks off mud and dirt with 1,500 pounds of pressure.

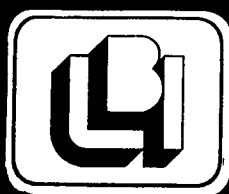
\$776⁹⁵

TY8315

**USED
HAY EQUIPMENT**

**SPECIAL FINANCING OFFER
7.9% VARIABLE RATE**

- NH 488 9 Ft. Haybine\$1,450
- JD 1209 9 Ft. Moco\$1,450
- NH 489 9-Ft. Haybine\$6,950
- JD 640 Rake\$895
- NH 256 Rake w/Front Wheel.....\$1,950
- JD 350 9 Ft. Sickle Bar.....\$2,400
- NH 271 Baler w/Bale Chute.....\$750
- IHC 430 Baler w/Ejector.....\$1,650
- JD 336 Baler w/JD 30 Ejector\$4,250
- JD 336 Baler w/JD 30 Ejector\$4,550
- JD 336 Baler w/JD 30 Ejector\$6,250
- JD 346 Baler w/JD 30 Ejector\$6,950
- JD 337 Baler w/JD 40 Ejector\$9,250
- Kasten 8'x18' Bale Wagon.....\$1,850



Landis Bros., Inc.

1305 Manheim Pike, Lancaster, PA 17601

(Located S. Of Rts. 30 And 283 On PA 72)

