

John Deere... A Way of Life™



JOHN DEERE

Before You Buy, Give Our Salesmen A Call.

717-291-1046

Or In Pennsylvania, Call Toll-Free

1-800-524-3276

(1-800-LBI-FARM)

Mon. Thru Thurs. 7 AM To 5:30 PM Sat. 7 AM-3 PM
Friday 7 AM To 8 PM



TILLAGE EQUIPMENT



LANDSCAPE POWER RAKE

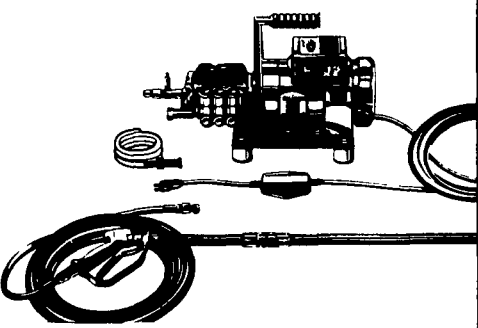
USED TRACTORS

- JD 2750 75-HP, 8 Speed.....\$15,900
- JD 4520 140-HP, Syncro-Range.....\$12,500
- JD 4620 150-HP, 8 Speed, Cab, Duals.....\$13,500

USED TILLAGE

- JD F145 4B16 Plow.....\$850
- JD 2500 5B18 Spring Reset.....\$2,500
- JD 2500 5B16 Spring Reset.....\$3,650
- JD 2000 4B18 Spring Reset.....\$5,500
- Farmhand 21-Ft. Wing Fold Pulv.....\$4,950
- JD 10' Roller Harrow.....\$825

High-Powered Pressure Washer



John Deere 15EX cold-water pressure washer knocks off mud and dirt with 1,500 pounds of pressure.

\$776⁹⁵

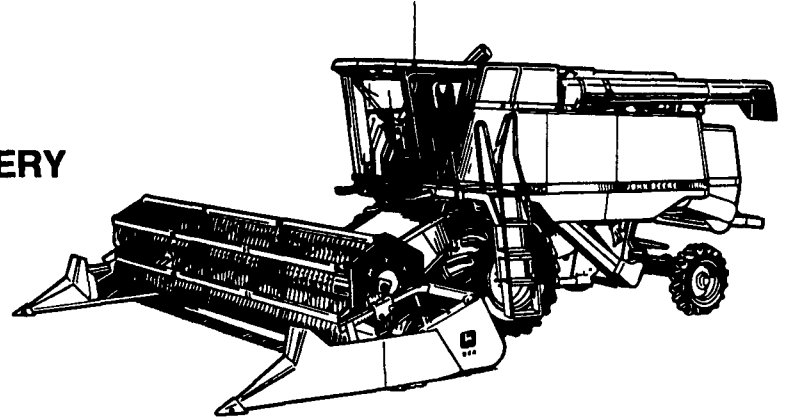
TY8315

WE SHIP DAILY

USED COMBINES

GOOD SELECTION
READY FOR IMMEDIATE DELIVERY

0% Interest Til Sept. 1, 1993



- JD 6620 SH, Hydro, AHHC, Straw Spreader, 2260 Hrs.....\$31,500
- JD 4400, Variable Speed, Straw Spreader, 2333 Hrs.....\$17,000
- JD 6620 SH, Hydro, AHHC, Straw Spreader, 2830 Hrs.....\$31,500
- JD 7700, Diesel, Hydro, 3489 Hrs.....\$12,500
- JD 4420, Variable Speed, AHHC, Straw Spreader, 2672 Hrs.....\$20,500
- Gleaner L2, Hydro, w/15-Ft. Flex, 6R30, 1954 Hrs.....\$29,500

USED FLEX PLATFORMS — 15 FT. • 16 FT. • 20 FT.

MISC. EQUIPMENT

- IHC 6R 30 Cult.....\$ 900
- Little Giant 28 Ft. Bale Elevator With Motor\$1,150
- JD 885 6R 30 No-Til Cult.....\$4,950
- JD 780 Hydra-Push Spreader w/Endgate.....\$8,500

PLANTING EQUIPMENT

- IHC 800 6R30 Corn Planter.....\$2,650
- JD 7000 6R30 Cons. Planter w/Frame Coulters, Liquid Fert.....\$8,850

No One Matches Our Brand

Make Hay Faster... with Our Help

We have genuine John Deere parts to help keep John Deere haying equipment running smoothly. And we can use the JD Cross+Search® system to match John Deere parts to other brands of equipment. Come in today and see for yourself!

Rake Teeth

John Deere rubber-ball rake teeth allow 360-degree flexibility for long life and clean raking.

\$3⁰⁶

Part No. AB47389

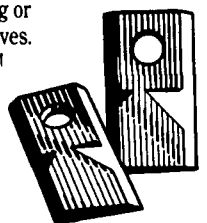


Rotary Disk Knife

Haying time will soon be here. So now's the best time to replace any missing or broken knives. Save today!

86¢

CC20500

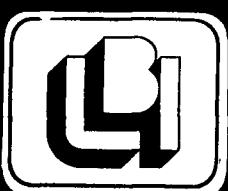


All the parts...all the service...all the time!

USED HAY EQUIPMENT

SPECIAL FINANCING OFFER
7.9% VARIABLE RATE

- NH 488 9 Ft. Haybine.....\$1,450
- JD 1209 9 Ft. Moco.....\$1,450
- NH 489 9-Ft. Haybine.....\$6,950
- JD 640 Rake.....\$895
- NH 256 Rake w/Front Wheel.....\$1,950
- JD 350 9 Ft. Sickle Bar.....\$2,400
- NH 271 Baler w/Bale Chute.....\$750
- IHC 430 Baler w/Ejector.....\$1,650
- JD 336 Baler w/JD 30 Ejector.....\$4,250
- JD 336 Baler w/JD 30 Ejector.....\$4,550
- JD 336 Baler w/JD 30 Ejector.....\$6,250
- JD 346 Baler w/JD 30 Ejector.....\$6,950
- JD 337 Baler w/JD 40 Ejector.....\$9,250



Landis Bros., Inc.

1305 Manheim Pike, Lancaster, PA 17601
(Located S. Of Rts. 30 And 283 On PA 72)

