

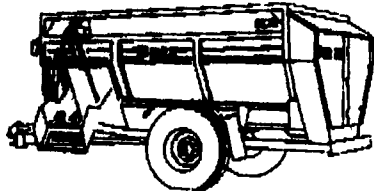
JUNE IS DAIRY MONTH

A Special THANKS TO OUR DAIRY FARMERS FROM PATZ AND ITS DEALERS!

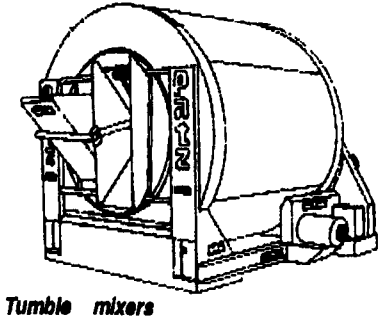
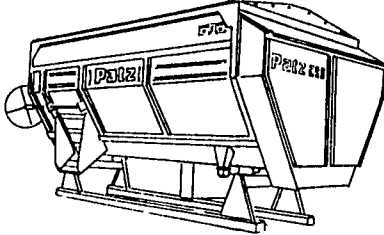


Mixing T.M.R. the Way You Want

Trailer mounted auger mixers



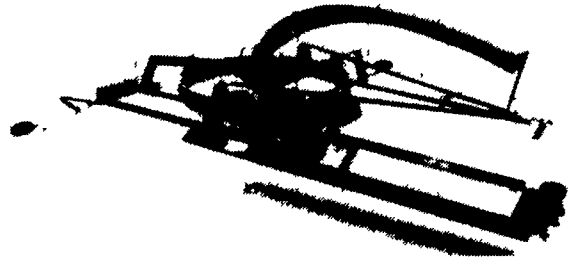
Stationary auger mixers



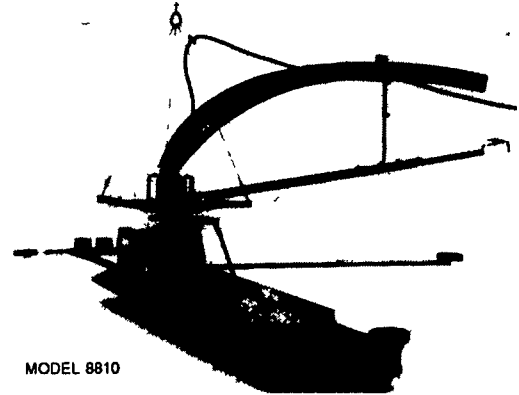
Tumble mixers

- Open-Top Mixers
- Tumble Mixers

Model 8820
Ring-drive dual-auger silo unloader

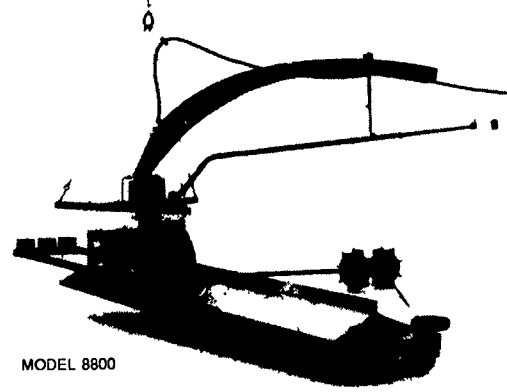


Model 8810
Dual-auger center-drive silo unloader with Patz quality



MODEL 8810

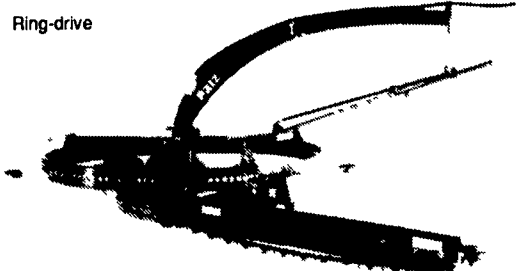
Model 8800
Dual-auger surface-drive silo unloader with Patz quality



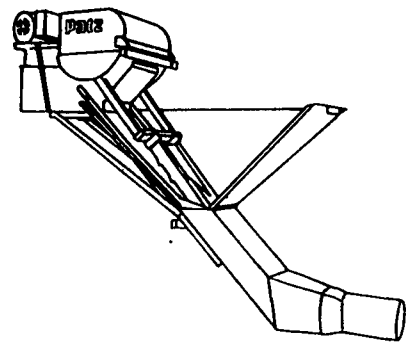
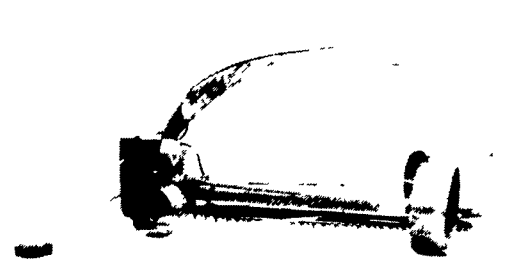
MODEL 8800

Model RD-820
Ring-drive silo unloader

Ring-drive



Model 98C
Surface-drive silo unloader



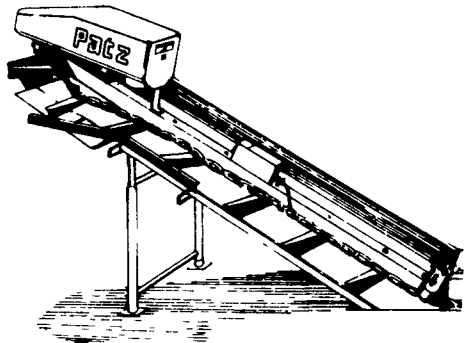
Model 1512 Manure Pump

For slurry manure

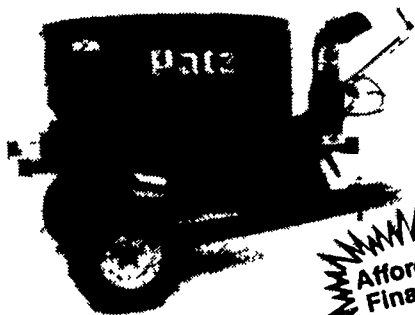


Proven-Dependable Gutter Cleaner

Select the proven Patz hook-and-eye link. The Patz 4-tooth drive sprocket provides reliable daily cleaning and long life. Drive unit sizes match your gutter length and allow economical expansion.



Bale Chopping Made Easy!



Patz SEE YOUR NEAREST DEALER

ALEXANDRIA
MAX ISENBERG
814-669-4027

BELLEVILLE
LUCAS BARN EQ.
814-383-2806

LEBANON
CEDAR CREST
EQUIPMENT
717-270-6600

ORANGEVILLE
FRANKLIN D. HESS
FARM EQUIPMENT
717-925-6939

SOMERSET
GROVE EQUIP. SALES
Mark Knepper
Cliff Lynn
814-445-6306

WESTMINSTER, MD*
C&G FARM
AUTOMATION
Carrol & George
Gesell
410-775-7300
410-848-3622

DISTRICT
MANAGER
Agri Bee Inc.
James Bilski, Pres.
814-696-9447

BALLY
LONGACRE
ELECTRIC
215-845-2261

BELLEVILLE
MILLER-LAKE Inc.
717-935-2335

MECHANICSBURG
JOHN JONES
717-766-8582

QUARRYVILLE
UNICORN FARM
SERVICE
James E. Landis
717-786-4158

HAGERSTOWN, MD
TRI-STATE
FARM AUTOMATION
301-416-7340

WHITEFORD, MD
ENFIELD EQUIP.
410-838-0480

BEDFORD
BENCE'S FARM EQUIP.
814-623-8601

HOP BOTTOM*
LENOX FARM SUPPLY
Kurt Kulick
717-289-4349

MIFFLINTOWN
ZUG FARM &
DAIRY EQUIPMENT
717-463-2606

SHIPPENSBURG
WITMER EQUIPMENT
SERVICE
717-532-6139

KENNEDYVILLE, MD
PINDER SERVICE CO.
410-778-0799

POUND, WI
PATZ SALES,
INC.
414-897-2251



* New Dealers