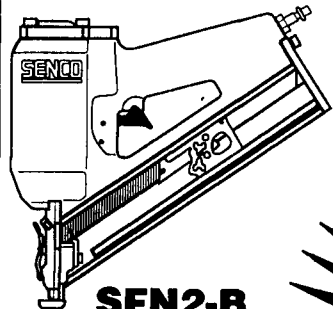


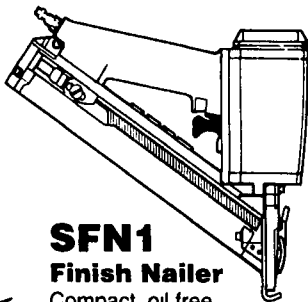
Special Prices for a limited time

SENCO



SFN2-B
Finish Nailer
Drives 1 1/2" to 2 1/2"
Senco true brad head
finish nails

\$349.



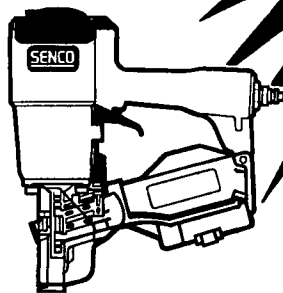
SFN1
Finish Nailer
Compact, oil free
finish nailer that drives
true 1" to 2" brad head
finish nails

\$275.



SALE

**40%
OFF**



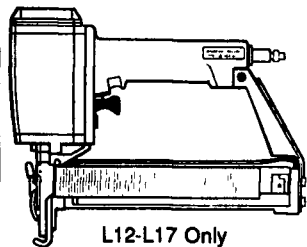
SCN200R
ROOFING NAILER
Packs, power and speed
while obtaining accurate and
consistent fastener placement.

\$395.



SN325+
FRAMING NAILER
Compact and powerful
3 1/4" framing nailer
weighs only 7 3 lbs.

\$399.

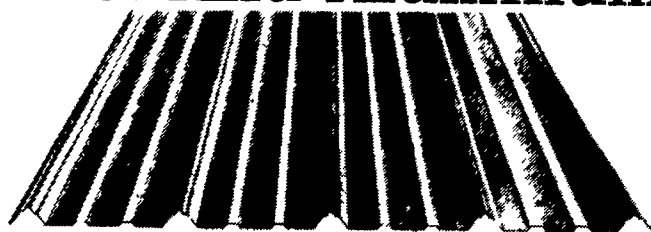


SKS PowerPlus
FINISH
STAPLER
Quiet & oil free for
use in a wide
variety of
applications.

\$240.

Available at
BLUE BALL MACHINE CO. INC.
1116 Division Highway
Blue Ball, PA 17506
(717) 354-4478 Fax (717) 355-2611
Store Hours: Mon.-Thurs. 7:30-5:00
Fri. 7:30-9:00; Sat. 8-12

Top Brand Names, Low Dollar
Steel And Aluminum



20-Yr. Warranty Baked-On Silicon Polyester Enamel Colors

26 & 29 Gauge

- Painted, Galvanized & Galvalume
- Large quantity roofing doors, windows & trim in stock

We Delivery Anywhere
IN
PA, MD, NJ, DE,
NY, VA, W VA

Call 1 (800) 964-1550 Anytime (215) 384-5942

Reuben Graber Home: (215) 383-5274

CALN DOOR & SUPPLY

BARNs -- RIDING ARENAS -- SHEDS -- ETC.



**"Steel Top"
Buildings**

manufactured & erected by
H.B. SMITH CONSTRUCTION CO.*
223 Warner Road, Columbus, NJ 08022

DID YOU KNOW?

H.B. SMITH CONSTRUCTION CO. is one of the few companies in North America that both MANUFACTURES and ERECTS buildings with its own equipment and factory trained technicians? By eliminating the middle man, the customer (that's YOU!) will have CONFIDENCE & PIECE OF MIND knowing that ONE company will guide him (or her!) from the initial planning stages through the completed project!!!

(Lease Financing Available)

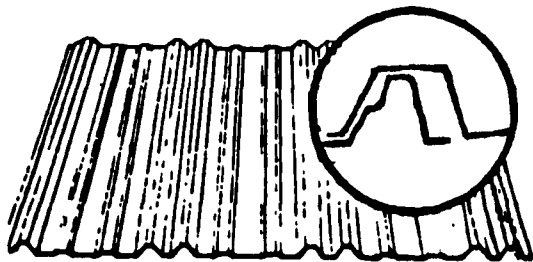
SPRING RIDING ARENA SPECIALS!!

609-267-5571 or FAX 609-267-8135

* A Division of H.B. SMITH MACHINE CO., INC.
PRIDE IN WORKMANSHIP - PRODUCT GUARANTEE - COURTEOUS SERVICE

**GLENWOOD
METAL FORMING**
809 Glenwood Dr., Ephrata, PA 17522
FAX
717-733-9590 - 1-800-582-9956 - 717-733-4988

MANUFACTURERS OF
**METAL ROOFING
AND
SIDING PANELS**
WITH CUT TO
LENGTH LINE
IN 36" WIDTH



- | | |
|------------------------|----------------------------|
| 29 Ga. Galvanized | 29 Ga. Painted |
| 26 Ga. Galvalume | 26 Ga. White |
| .024 Mill Finish Alum. | 29 Ga. 304 Stainless Steel |

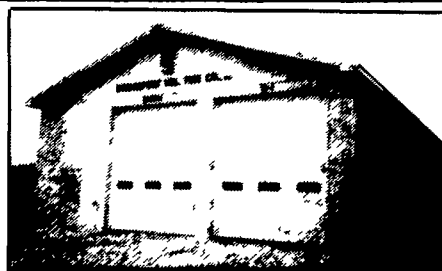
24 Ga. Standing Seam Roofing
In Galvanized - Galvalume & Painted
Commercial & Residential Panels

5 & 6" K-Style Alum. Seamless Gutters

- Pre-Hung Thermo Doors
- Agri Built Windows
- Ridgeolators
- Roofing Nails & Screws
- Sliding Door Track Trolley & Hardware
- Ridge Vents

**Conestoga
Building Supply**

POLE BARNs



- * Sealed Engineered Prints For PA, MD, NJ, DE
- * Complete Building Packages Available

* Professional Engineering To Help With
ALL OF YOUR DESIGN NEEDS



Call For A Free Estimate Or Brochures
1-800-544-9464 717-354-2613
NOW OPEN SATURDAYS 8-12