

Holstein Dairy Herd For Sale

68 head DHIA tested 18,500 milk, 641 fat, 41 head first and second calf, 14 fresh, 42 head safe in calf, many bred for fall Tie stall barn, a real hard working dairy

(908) 369-4784

Holstein Dairy Herd For Sale

68 head DHIA tested 18,500 milk, 641 fat, 41 head first and second calf, 14 fresh, 42 head safe in calf, many bred for fall. Tie stall barn, a real hard working dairy.

(908) 369-4784

Registered Polled Hereford Bulls
4 Yearlings, (1) 3 Year Old, Certified
And Accredited Herd \$800-\$1,400

Blazen B Farm
Adams County
(717) 677-7400

HERD OF 65 OUTSTANDING HOLSTEINS

R.H.A. 23,152, 853F, 757P
State of New Jersey DHIA ranking: 5th in state for protein, 7th state for fat, 10th state for milk. All AI breeding. Mostly home raised. 30% purebreds. 20 2-year olds, 30 3-year olds, 15 mature, 61 head shipping 7900. 75% fall herd. Sires represented: Blackstar, Trifecta, Chairman, Ned-Boy, Kleitus, Likeabill, Astrojet, Jethro, Counselor. Service sires represented: Odyssey, Sell, Jetstar, Marksman, Lastar and a few Blackstar sons.

**908/879-5851 days,
201/984-5874 evenings**

SALUNGA ACRES

OFFERS SOME FACTS ON THEIR 12 POLLED HEREFORD BULLS FOR SALE

Avg. Birth Wt. 94# ADJ Weaning Wt. 713#

AVG. EPD's

Birth	Weaning	Yearling	Maternal	Maternal
3.6	22.8	35.7	Wean Wt.	Milk
			13.4	2.4

ALSO OFFERING ANGUS FEMALES & BULLS
2230 Spooky Nook Road, Mt. Joy, PA 17552
Office (717) 898-7271 Evenings (717) 653-8955

Shawnee Angus Farm

Yearling Bulls For Sale \$1250.00 And Up

Sired By: QAS Traveler
Tehama Bando
Rito 8E8
GDAR Traveler 867
GDAR Differential 829

Cows With Calves At Side, Bred Back
Bred Cows Bred Heifers
Complete AHIR Records

Farm Conrad Grove
814-766-2296 215-942-3187
RD 1 Box 227C
New Enterprise, PA 16664

9 HORSES & MULES

1 pair of five year old mules. Ready for work. Samuel S. Zook 430 North Shirk Road, New Holland PA 17557.

2 American Saddlebred. 9 Year Old, Good Boys Horse. 4 Year Old. Both Have Lots of Snap and Style and Safe and Sound. Will Deliver 717-664-3729.

2 BEAUTIFUL DAPPLE GREY PERCHERON FILLIES, 3 AND 4 YEARS OLD, \$2000 AND \$2900. ALSO GENTLEMEN'S CART, SADDLE, AND MATCHED BRASS HARNESS 301-473-5985.

2 Flashy Bay SADDLE-BREDS, 16H, 5 years old, ride and drive, traffic safe, \$2500/each; NEW SUPER DELUXE SHOW HARNESS, pair and single, extras, \$4000; Holly whip, Western Billy Royal show saddle, \$400; add'l. saddles & bridles. 215/286-9400.

2 Reg Quarter horses w/ papers, 1 male, 1 female, Approx 9 months old. Call Monday thru Friday 8AM-5PM. 814-342-7261.

2 Year old reg Clydesdale filly, dark bay w/4 white socks, full blaze, black mane & tail Has been shown. Excellent temperament. \$2000 717/463-2036 evenings, ask for Steve or Ruth

DID YOU KNOW...

- That LIMOUSIN'S are the cheapest cattle to feed and maintain?
- That LIMOUSIN cross calves grow more quickly and more efficiently than other breeds?
- That LIMOUSIN cattle are the feeders choice?
- That LIMOUSIN cattle are the fastest growing beef breed in the nation?

NEED A LIMOUSIN BULL?
Open & bred Heifers

Call evenings
Doug Holbrook (703) 948-3624
Gerry Pain (301) 840-9089

WOLFCREEK FARM
Box 204, Rte. 230
Wolfstown, VA 22748

30 MULES - 11 HORSES

Sorrels, Blacks - Bays - Grays
5 - 16H & Gelding Sor. and Blk.
6 - 16-17 Sorrel, Gray & Blk Mares
Located 8 miles East of New Holland between Churchtown and Morgantown at the Levi R. Stoltzfus Farm (Valley View Construction Co.) on Hwy. 23

Wayne R. Jeffers
215-286-7158

5 year old registered Quarterhorse, mare, Boston Mac and Triple Chick breeding, \$2000. 814/364-9134.

6 Year Old Morgan Gelding, 6 Year Old Registered Morgan Mare, Well Matched Team, Both Broke to Drive, Traffic Safe and Sound, Call Between 6 and 6:30 P M 717-786-4743.

6 year registered Morgan, gelding, bay, 14.3H, saddle and harness broke, gentle, good disposition. Wasdeka's Moonshot, Kane's High Society and Flyhawk line. \$1,600. (717)352-2133.

Arabian Horse Mini-Fair April 24, 9AM-5PM. York Fairgrounds. Exhibitions, Youth judging, Private Treaty Sale Row, Pony rides, and more FREE. For more information (717)927-6443 or (717)367-8252.

Registered Belgian stallion, sire Final Jesse Continue, dam Victor's Lady, 17.2H, blonde/sorrell, white mane and tail. Benjamin B. Zook, 1550 River Rd., Drumore, PA 17518

Registered ¾ Arabian Mare, 8 years old, gray, sound. \$900 814/274-9554 Potter Co.

Registered Percheron Colts, Foald 4-2-91 & 4-9-91, Shown Successfully, Great Disposition, Ready to Break, For Driving or Farm Work Asking \$1200/Each 717-235-5448.

Saddlebred and Standard Bred horses. Usually 6 to choose from. Priced from \$800 to \$2200. Sam F Stoltzfus, 730 Vintage Road, Christiana, PA 17509 Beside Bart Mennonite Church.

Specializing in spotted and solid colored walking horses SPOTTED FEVER FARM. 717-582-7831.

TWH Chestnut 12 year old gelding, good on trails, quiet, broke for anybody, \$1600; other horses to choose from. 215/267-6553 or 717/733-6859, ask for Darryl.

MULES ON HAND YEAR-ROUND

- 1 Pr. 8 Yr. Olds w/Lots Of Snap, Broke \$2,500
- 1 Black Lead Mule, 7 Yr. Old, Fancy..... \$1,800
- 1 Sorrel Lead Mule, 10 Yr. Old Anybody Can Work..... \$1,200
- 1 Pr. Line Mules, 16-2, Tame ... \$2,500

CALL OMAR STOLTZFUS
(717) 299-3721

Broke Mules For Sale

- 1 Pr. Gray, 3 Years Old
- 1 Pr. Sorrells, 3 Years Old
- 1 Pr. Sorrells, 5 Years Old

Plus Some More Mules

Special: 1 pr., 5 yr. old black mare mules 17.1 H

Located at Ben K. Kauffmah Along Park Road, Honey Brook Call Between 7:30-8:00 AM

215-273-3082

Beautiful Pinto gelding gentleman, professionally trained, four years old, \$3000. 410-272-2208.

Bob Fryer from Ohio has a load of work horses at Bennie K. Stoltzfus, 1082 Noble Rd., Christiana, PA 17509

"MINIATURE DONKEY TALK" One of the most interesting and fun magazines you'll ever read! Registry information included. \$20 year. 1338 Hughes Shop Road, Westminster, MD 21158 MC/Visa. 410-875-0118 sample \$4.00

MINIATURE HORSES Overcrowded, cutting down. Bred mares starting at \$1500. Expecting ten foals. Excellent quality. Stud service available. Reduced prices, can't be beat. Blankets, sheets, halters, lead ropes. Wholesale, retail. Write for prices or come and see us. MEL'S MINI HORSES, 345 North Hollander Rd., Gordonville, PA 17529.

Miniature Horses, AMHA/AMHR, 2 year Bay Pinto Stallion, Mares, 5 year Tri-Pinto, 3 year Bay and Sorrel Pinto, others. 814-257-8466.

MUST SELL! 7 year grey Arabian mare, \$1200; 6 year Chestnut Arabian mare \$2000. Both have been trail ridden 717-366-2171.

NEW OAK WAGONETTE, holds 6-8, brakes, gray tufted seats, \$4500. 215/286-9400.

New harness and repairs Sale on new horse collars thru April. FURNACE ROAD HARNESS SHOP, 130 Furnace RD, Quarryville, PA 17566. ½ mile West of Georgetown 717-786-7736 7-7:15AM.

Pair of Belgian geldings. 2 and 3 years old, 1 red Sorrel, 1 light Sorrel. Bradford Co. 717-596-3401.

Proven Standardbred mare w/records due to fold in April. Quiet and gentle Fee paid trotter, \$1,000 (301)898-7426.

Registered Belgian mare, five years old, sorrel, 15.3 hands, good mother, \$950. Mansfield, PA (717)549-2424.

The Meadowbrook Many Options Available



Restoring and Manufacturing Carts, Carriages, Coaches to your specifications

Mill Run (215) 273-9665
BUGGY SHOP RD #2, Box 7J, Mill Rd. Honey Brook, PA 19344

ROCKY MEADOWS



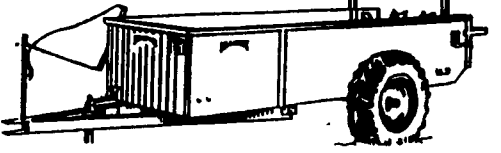
MINIATURE HORSES

WEANLINGS, YEARLINGS, BRED MARES, AND TRAINED DRIVING HORSES. MANY COLORS, ALL AT VERY REASONABLE PRICES

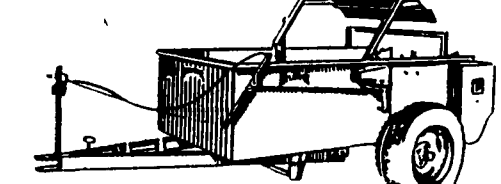
REGISTERED HORSES ALWAYS AVAILABLE AMHA/AMHR

LEO & EILENE BENIGNI
3633 Garnet Mine Rd.
Boothwyn, PA 19061
215-459-1244 (Eves)

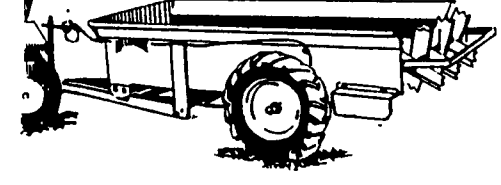
Economical Manure Spreaders



MODEL 75, 62 cubic ft. capacity. Operates behind 18-hp tractor.



MODEL 50, 44 cubic ft. capacity. Shown with optional endgate.



MODEL 25, 28 cubic ft. capacity. Fits through 4-foot doors.

Hundreds of small farm operators are using an affordable Millcreek spreader to solve their manure disposal problems.

Why pay for a big spreader when a small one will do?
You have a choice of 4 sizes!
Ground drive & PTO models available

MILLCREEK
Manufacturing Co.

2617 Stumptown Rd., Dept. LF
Bird-In-Hand, PA 17505
(717) 656-3050

CLIP AND SAVE

HORSE MANURE



Pick-up Straw Only. 15 Horse Minimum

HY-TECH Mushroom Compost, Inc.
West Grove, PA 19390 • 215-869-0202