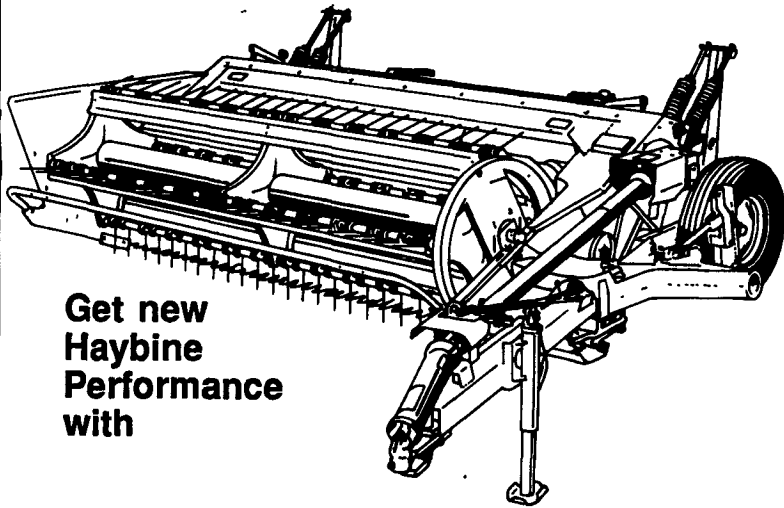


MARCH SPECIAL



Get new Haybine Performance with

The Ceresville Overhaul Kit

includes:

- New Factory Fresh Conditioning Rolls
- New Conditioning Roll Bearings
- New Bearing Collars
- New Guards
- New Knife with Bolted Sections
- New Hold Down Clips

Bring this ad in before March 31, 1993 and get these special cash prices.

Model 479 and 488 kit Only

\$1449⁰⁰

Model 489 and 492 kit Only

\$1379⁰⁰

Similar savings on other models.

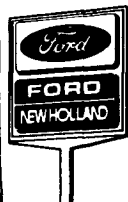
CERESVILLE

FORD NEW HOLLAND

8102 Liberty Road, Frederick, Md

301/662-4197

800-331-9122



Best Buys in Used Equipment

USED TRACTORS

- Int. 1066 w/cab
- IH 3388
- IH 1086 w/ROPS
- Case IH 1896 w/cab, very nice
- Case 1070 **SOLD**
- IH 2544 w/IH 2000 Loader

USED EQUIPMENT

- Ford - 4 Bottom semi-mounted plow
- Oliver 4 btm. mounted plow, 16"
- JD 845 3 btm. roll over plow
- JD 16' transport harrow
- JD 7000 4 row corn planter w/fert. & insecticide

NEW HAY TEDDERS IN STOCK

- 1 - Stoll tedder rake

GRAIN HARVESTING

- JD 6600 Combine w/15' flex head, 4 row narrow corn head
- Gleaner Model G Combine, diesel w/4 row narrow head & grain head
- IH 810 15' head
- McCurdy 230 gravity boxes
- McCurdy 275 gravity box

Case IH Model 1660 Combine w/Specialty Rotor, 300 Hrs., Excellent Condition

USED HAY EQUIP.

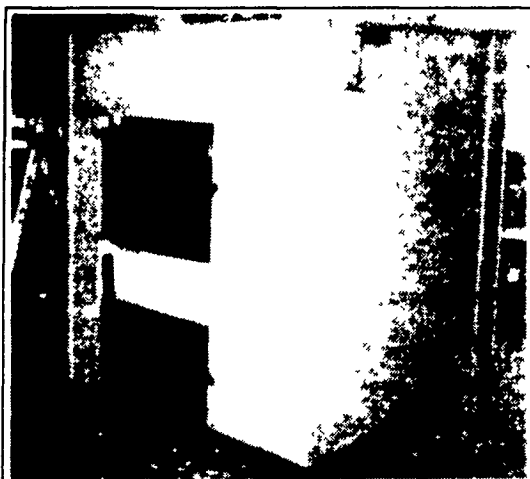
- Gehl 99 blower
- NH Super 55 rake
- NH 469 haybine
- NH 1495 self propelled haybine w/gas engine **SOLD**
- NH 315 baler w/thrower
- Badger 2600 Harvester w/2 row corn head w/2 row snapper head w/5' hay pickup \$3,500 \$2,500

Eckroth Bros. Farm Equipment

RD 2 Box 24A, New Ringgold, PA 17960

717-943-2131

7:30-5:30 Mon.-Fri. 7:30-4:00 Sat.



Model 200MF Stainless Steel. Finished in-plant and ready to ship.

Get Comforting Heat and Efficiency.

The Mahoning Outdoor Multi-Fuel Furnaces provide thermostat controlled heat by economically burning wood, coal or fuel oil. The furnace is placed 25-100 feet outside the structure to be heated; connections between the furnace and building are buried underground. Wood or coal is the primary burning fuel lasting 8-12 hours in the furnace. For convenience, automatic firing the separate oil burner combustion chamber can provide heat until wood or coal burning is desired. Both Wood/Coal & the Fuel Oil burners are enclosed to heat the same water tank. The purpose of the firebox is to heat the water-filled tank surrounding the outside unit, this heated water is then circulated through underground pipes into your home. A heating coil is installed inside your existing heat system. The thermostat controls the blower which picks the heat off the coils and delivers warm air through existing ducts and registers. There are safeties which eliminate the danger of over-pressurizing the system and automatic shutdown in case of a power failure. The Mahoning Outdoor Furnace can also be connected to an existing hydronic heating system, that operates at 180° F or less, using fin tube baseboard, cast iron radiators or hanging hydronic heaters. Only the thermostat and heating coils are installed inside your home, eliminating open fire dangers, smoke, dust and messy kindling wood boxes. Adjust the thermostat for the Mahoning Outdoor Furnace to your comfort setting and it automatically controls the water pump and blower to circulate heat to your home. You may set the thermostat for your existing heat system to back-up the Mahoning Outdoor Furnace when not in operation or in case the firebox is left to burn out. An Aquastat senses the temperature of the water in the outside unit and automatically adjusts the combustion rate to maintain the correct temperature (normally 180 degrees).

Hot Water too...!

A Mahoning Outdoor Furnace is a heat exchanger. By running a cold water line from your home to the outside unit, fresh household cold water can be heated and returned to the hot water plumbing in the house. A tempering valve adjusts the hot water at the faucets to a range of 120° to 160°. This boiler system will adapt to any existing plumbing. Heat your pool & hot tub with energy generated by a Mahoning Outdoor Furnace!

For more information see your nearest dealer.

MAHONING



We have a variety of styles & sizes, and one to fit your home/business heating needs!

OUTDOOR FURNACES

Cut Your Heating Costs

With Our Outdoor Furnace!

WOOD • COAL WOOD • COAL • OIL
- STANDARD MODEL - - MULTI-FUEL MODEL -

Approved for Natural or LP Gas
Heat Your Home, Farm or Commercial Buildings with Mahoning Outdoor Furnaces

Safe - Efficient - Durable

Look at what makes the Mahoning Outdoor Furnace a great purchase...

CLEAN. All dirt, dust, fuel and fire is outside. No chance of chimney fire or flue fire. ELIMINATES AIR POLLUTION IN THE HOME. Smoke, fuel odors and other causes of allergies are outside the home.

SAFE FOR MOBILE HOMES. Eliminate a danger that other furnaces contained in a mobile home can cause.

NO DANGER OF-EXPLOSION. This is a zero pressure furnace.

ENCLOSED COMPONENTS. The circulation pumps and electrical connections are enclosed in an insulated cabinet on the back of the Mahoning Outdoor Furnace.

ADAPTABLE. Install our furnace in any forced air heating or hot water system.

OUTSIDE SHAKER HANDLES. Coal burning and ash removal made easy.

- CATALYTIC COMBUSTOR -

With the aid of Corning Company, we were able to design a catalytic combustor unit that is proven to provide the following:

- 1) Cut emissions by 90%.
- 2) Improve burning efficiency by 50%.
- 3) Efficiency rating of 83 to 85%.
- 4) Makes furnace more user friendly & neighborhood acceptable.
- 5) No more smoke belching!
- 6) Use 1/3 less wood to heat your home!

Proudly Built in Indiana County Pennsylvania

MAHONING MANUFACTURING

Mahoning Outdoor Furnace Co.

R.R. Box 210, Rochester Mills, PA 15771 (412) 286-9959

FOUR SIZES:

Standard Model - Wood or Coal

Multi-Fuel Model - Wood, Coal or Oil

Model 100S both supply up to 100,000 BTU's per hour
100MF 24 Inch long fire box

Model 200S both supply up to 200,000 BTU's per hour
200MF 36 Inch long fire box

Model 300S both supply up to 300,000 BTU's per hour
300MF 48 Inch long fire box

Model 400S both supply up to 400,000 BTU's per hour
400MF 60 Inch long fire box

Models and specifications subject to change without notice.

MAHONING OUTDOOR MULTI-FUEL FURNACE

CONSTRUCTION FEATURES:

- 22 ga. steel exterior
- 1/4 in. plate steel firebox
- 3 ft. smoke stack of 26 ga. stainless steel (9 ft. opt.)
- 3/16 in. plate steel water tank
- 2 in. foam insulation board cover underneath
- 8 in. legs with skids for easy handling
- Shaker grates with external shaker handle.
- Large ash pit and large clean-out door for easy ash removal.
- Furnace water level gauge and water temperature gauge.
- Primed and painted finish (stainless steel opt.)
- Burns wood cut 24" to 60" depending on model!



Shaker Grate with Exterior Shaker Handle makes ash removal easy.

LOOK TO MAHONING OUTDOOR FURNACE FOR EASY, WARM INEXPENSIVE LIVING!