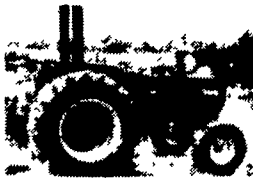


Best Buys In Used Equipment

Used Machinery Specials

- (1) John Deere Interplant 5 Row Trailing With Unit-Mount No-Till Coulters
- (2) UM2193 Gehl 329 Scavenger-Type V Spreader 596 Bu. Tandem Axle, Only 5 Mos. Old, Excellent Condition
- (3) UM2190 New Holland 316 Baler Late Model, Used Only 4 Years, With No. 75 Pan Thrower And Gandy Applicator In Very Good Condition
- (4) UM2195 IH 475 12-13 Foot Transport Disk Harrow With Cylinder & Hoses and Packer Hitch.....\$2,250
- (5) UM2194 IH Model 140 Roll Over Tumble Plow, 4 Bottom 16" Very Good Condition
- (6) UM2198 New Idea 325 2 Row 30" Picker With 12 Row Husking Bed
- (7) UM2202 M.F. 345 Plow 3 Bottom Auto Reset, Almost New
- (8) UM2173 Glencoe Stretch Frame 7 Shank Coulters Chisel With New Coulters
- (9) UM2181 New Holland 276 Baler With Thrower, 1 Owner, In Good Condition
- (10) Hesston Model 6650 14 Foot Self Propelled Mower Conditioner With Cab & Air, Perkins Diesel Power, 18.4x16.1 Tires, Stub Guards, Completely Serviced, Good Condition, Priced To Sell, Let's Get Together Now!
- (11) 3 Pt. Snow Blower 102" Wide With Double Augers, Large Blower Fan, 540 PTO, Hydraulic Spout Control Less Cylinder, In Good Condition
- (12) IH 21x7 Grain Drill, Single Disc, Seed View Cups, In Good Condition, UM1998
- (13) New Holland 276 Baler With Thrower, 1 Owner, Good Condition
- (14) UM 2182 Case 5100 Drill, 16x7, Double Disc, Press Wheels, Grass Seed
- (15) IH Model 500 Transport Disk Harrow, 14 Foot With New 22" Blades On Front Gangs
- (16) UM2183 Country Boy Bin On Gear, Like New
- (17) UM2088 Rhino SE7 3 Pt 7 Foot Rotary Mower.....\$950
- (18) UM2118 Ford 14 Foot Field Cultivator
- (19) UM2122 John Deere 145 Plow 5 Bottom 16" With New Coulters Last Year
- (20) UM2124 New Idea 14 Foot Model 602 Forage Box, 2 Beater, No Roof On John Deere 1065 Gear, Good Condition.....\$1,275
- (21) UM2126 John Deere 336 Baler With Thrower In Good Condition
- (22) UM2095 Like New! Case IH Model 710 Front End Loader, Heavy Duty Quick Attach With Self Leveling And 96" Bucket, Come & See
- (23) UM2131 John Deere 1530 12 Foot Dual Wheeled Transport Disk Harrow, Complete With Cylinder & Hoses
- (24) UM2167 Zimmerman 3 Axle 9 Ton Trailer In Good Condition
- (25) UM2137 IH 5100 Grain Drill 16x7 With Fertilizer, Double Disk Openers And Rear Mount Grass Seed Attachment
- (26) UM2142 Sunflower Soil Finisher Like New Model 6211-13, 13 Foot With Walking Tandem Transport
- (27) UM2166 Krause 1580 Rock Flex Disk Harrow, 19 Foot
- (28) UM2146 18 Foot Sunflower 1232-18 Disk Harrow Rockflex Used 2 Seasons, Traded On Larger Unit
- (29) UM2151 White 1840 Heavy Duty Quick Attach Loader With 96" Wide Bucket, Will Fit White 2-155 Tractors & Others.....\$3,250
- (30) UM2154 Donahue Tandem Axle Machinery And Round Bale Carrier

UM 2199
Set of 20.8x38
Axle Duals
To Fit IH 1086
Thru 1486



Like New Case IH 685
62 HP Diesel, 866 Hrs.,
540-1000 PTO Dual
Remotes, 2 Spd. Power
Shift, 18.4x30 Rear Tires,

SPECIAL
FINANCING
AVAILABLE -
TRADE UP NOW!



Case 2290, 129 HP Rating
With Duals, Cab & Air



Case 480B Industrial
Gas Powered
Loader Tractor



Ford 8600 Cab Tractor



IH 1086 Cab, Air,
Heater w/540-1000
PTO, Very Good
Condition, Dual
Wheels, Nice!



Buy This Quality 14'
Self-Propelled Diesel
Mower Conditioner.
Put Under Your Roof
Now & Save \$-Approx.
1/3 Of New Price

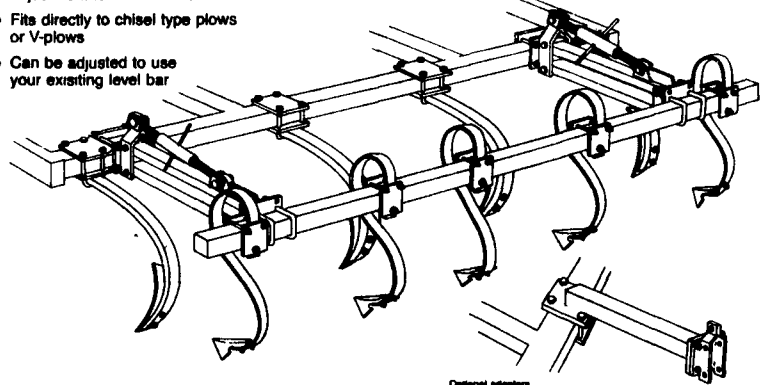
BINKLEY & HURST BROS., INC.

133 Rothsville Station Rd., Lititz, PA 17543
Located 1/4 Mile North of Rothsville
(717) 626-4705 1-800-IT PAYS U



REG-U-LATER

- Ideal for field work not requiring a leveling bar
- Same heavy S-lines and easy screw jack adjustment featured in the DOUBL-HEADER
- Fits directly to chisel type plows or V-plows
- Can be adjusted to use your existing level bar



Optional adapters available to mount Reg-U-Later on V-plows

SEE BINKLEY & HURST
FOR A DOUBL-HEADER
FINISHING TOOL!

**BINKLEY & HURST
BROS. INC.**

133 Rothsville Station Rd.
Lititz, PA 17543
(717) 626-4705
1-800-IT PAYS U

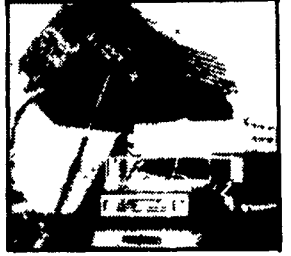


FOR EXPERIENCE TO SUIT YOUR NEEDS
SEE BINKLEY & HURST FOR
DUMP WAGONS & CONVEYOR BOXES



Up To
1000
Cu. Ft.

Get Ready
For Spring
Now!

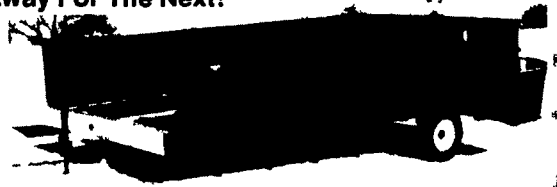


RICHARDTON

See Us for All Sizes
Available
SAVE: • Labor
• Time • Equipment

When Your Truck Reaches The
Blower, Just Back Into Your
Load And Race Away For The Next!

LOOK AT THIS ALL
NEW STATIONARY
CONVEYOR
FEEDER BOX!



Super Deals For The Buyer Who Makes A
Deal & Takes Delivery Now!

**BINKLEY & HURST
BROS. INC.**

133 Rothsville Station Rd. 1-800-IT PAYS U
Lititz, PA 17543
(717) 626-4705



After Hours Emergency Call: (717) 626-0885 (717) 626-8150 (717) 626-8768
Machinery Sales: M-F 7 to 5 Sat. 7 to 11:30 Sun. Closed - Lord's Day

NEW 10 TON AIR BRAKE
TRAILER IN STOCK!



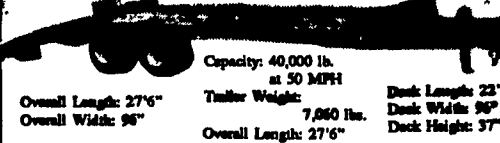
- NO 12% Federal Tax
- NEW! Longer 24' and Lower 32" Deck
- DEXTER "Heavy Duty" Axles, 12 1/2 "x4" Electric Brakes
- GOODYEAR "Workhorse" Tires, 8.75x16.5
- HENSLEY/FAIRBANKS Towing Hitches (Strongest on the Market)
- DEXTER Dual Disc Wheels
- AUTOLOCK 10,000 lb. Dropfoot Parking Jack
- WARNER Truck Brake Controller

- BETHLEHEM High Strength Steel Mainbeams
- AIR BRAKES



SEE US FOR ALL YOUR PARTS
NEEDS - WE STOCK A LOT &
CAN OFFER FOR QUICK DELIVERY
BUMPER TRAILERS &
PINTLE HOOKUP
TRAILERS

WE STOCK MANY DIFFERENT
SIZES & MODELS. See Us For
20 TON AIR BRAKES



Capacity: 40,000 lb. at 50 MPH
Overall Length: 27'6" Trailer Weight: 7,060 lbs.
Overall Width: 96" Overall Length: 27'6" Deck Length: 22' Deck Width: 96" Deck Height: 37"

12,000 GVW
Tandem Axle Trailer
w/Electric Brakes

WE HAVE A
SELECTION OF
FOUR USED
TRAILERS IN
STOCK... STOP
IN FOR DETAILS!

See Binkley & Hurst
For 3 Pt. Quick
Coupler Rubber
Tire Scrapers



Stop In Now! Priced
Affordably, Some With
Optional Features

**BINKLEY & HURST
BROS. INC.**

133 Rothsville Station Rd. 1-800-IT PAYS U
Lititz, PA 17543
(717) 626-4705



After Hours Emergency Call: (717) 626-0885 (717) 626-8150 (717) 626-8768
Machinery Sales: M-F 7 to 5 Sat. 7 to 11:30 Sun. Closed - Lord's Day