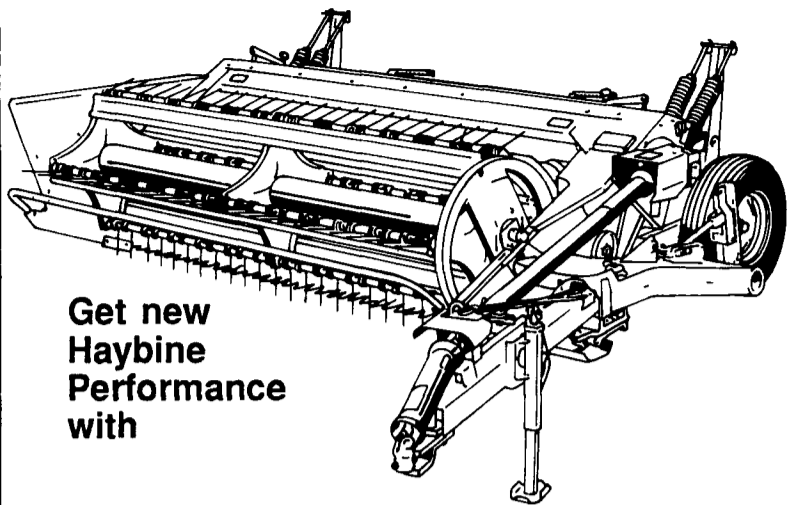


MARCH SPECIAL



Get new Haybine Performance with

The Ceresville Overhaul Kit

includes:

- New Factory Fresh Conditioning Rolls
- New Conditioning Roll Bearings
- New Bearing Collars
- New Guards
- New Knife with Bolted Sections
- New Hold Down Clips

Bring this ad in before March 31, 1993 and get these special cash prices.

Model 479 and 488 kit Only

\$1449⁰⁰

Similar savings on other models.

Model 489 and 492 kit Only

\$1379⁰⁰

CERESVILLE

FORD NEW HOLLAND

8102 Liberty Road, Frederick, Md

301/662-4197

800-331-9122

Ford Credit



Best Buys in Used Equipment

TRACTORS/SKID STEER

Maxxum 5130, MFD, cab, loader, 1350 hours
Magnum 7110, 130 H.P. 2WD, 950 hours
IH 1086, cab, 2WD, rebuilt TA
IH 3200B skid steer
Farmall A w/attachments
Case 1410, cab, 80 H.P.
Case 1835B diesel unloader
JD 4430, canopy, power shift
AC 7010, cab, P.S. 2WD
Oliver 1550, gas, WFE

HAY & FORAGE

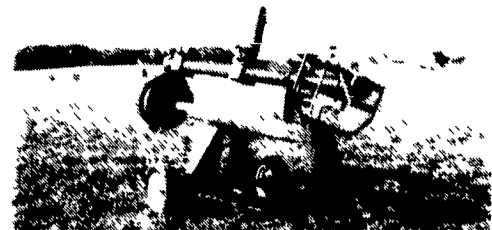
NH haybines, 479, 488, 489
NH 275 baler w/engine
NH 311 baler w/eng, like new
NH 315 baler w/thrower
New Holland 25 forage blower
New Holland 27 forage blower
New Holland 1495 self-propelled, gas
John Deere 1209 mower conditioner
John Deere 1327 disc mower conditioner w/flails
Case IH 8530 rectangular baler w/thrower
Gehl CB600 forage harvester
Gehl HA900 hay head 9'
Gehl TR680, 2RW row crop
Gehl 1560 forage blower
Gehl 1465 round baler
Gehl 99 forage blower
New Idea 5407 disc mower, 3 pt 7' cut
New Idea 5209 disc mower conditioner, demo unit
Hesston 1014 mower conditioner, 10' cut

MISCELLANEOUS

Farmlund bale wrapper- \$4,500
MF 52, transport disk, 12'
Brillion 9 tooth chisel plow, hi clearance
Brillion 10' cultmulcher
New Idea 323 corn picker, 1 row
JD 47 loader, real good
JD 8350 grain drill, 18x7 w/grass seed and fertilizer
IH 800 corn planter, 4 RN
Ag Tech 665 loader for small diesel tractor
Kidd, small bale chopper, 3 pt
Dual wheels for IH 66 series, 18 4x34

MANURE SPREADERS

NI 360, endgate, 150 bu
NI 351B, endgate, 180 bu
NI 3639, 10 ton, endgate
Gehl 312 scavenger, 260 bu, tandem
Gehl 322 scavenger, 1 year old, 2250 gal

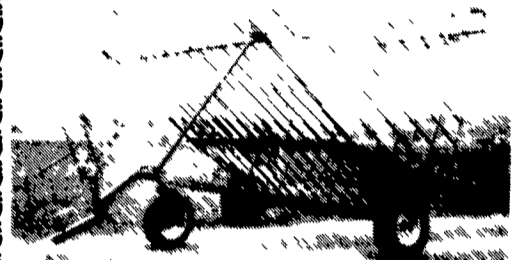


DH 210 Manure Pump 6'-14'

With Dual Agitator, rotates at 270°, full or partial hydraulics & manual operated with flexible spout on agitator. It chops heavy straw. (Check our price before you buy.)
Option: Variable depth pitch. 6 to 10', 8 to 12' & 10 to 14'

Renting Lagoon & Vertical Manure Pumps

- * Round hay feeders
- * 2-7 horse hitch, yoke & jocket stick
- * Stainless steel & aluminum welding
- * Weather head, hydraulic hosing made to your size



Dry Hill Hay Basket With New Improvement!

- New Wheel Wells
- Width 142", Height 121"
- Swivel Wheel 25x7.50x15
- Capacity 110-120 Bales
- Quick Latch: Easy Release & Close Latch System
- Eliminate Need Of Bale Thrower
- New Easy Slide Tubing
- Tire 11Lx15
- Heavy Duty Tongue
- Stabilizer Construction

We Ship U.P.S.

DRY HILL FARM SHOP

Dauphin Co., RR Box 426

Lykens, PA 17048-9744

(717) 365-3109

Call 8:00 to 8:30 AM

Rt. 25, 1 Mile North of Crossroad Auction

Dealer Inquiries Welcome

JOHN DEERE

NEW TRACTORS

John Deere 2755, 75 PTO, H.P., MFWD (4 Whl. Drive) 2 Post Roll-Guard, Hi-Lo, Fenders New Roll Guard & Fenders For JD 2155 — Special: \$550!

NEW MISC. EQUIPMENT

2-Row Custom Built JD Corn Planters, 3 Pt. Or Pull, Avail. With All Attachments, 15" To 24" Width Settings -Ideal For Sweet Corn!
John Deere 16 Ft., 4 Section Drag Harrow
John Deere 672 Hay Rake, Pull-Type, Ground Drive
John Deere 1360 Mower Conditioner
John Deere 240, 3 Pt. Disk Mower, 5 Ft. 3 In. Width
John Deere 350, 3 Pt. 7 Ft. Sicklebar Mower
John Deere 503, 3 Pt. 5 Ft. Rotary Cutter
John Deere 606, 3 Pt. 6 Ft. Rotary Cutter
Woods M5, 3 Pt. 5 Ft. Rotary Cutter
Woods D80V, Pull-Type 80" Rotary Cutter
John Deere 272, 3 Pt. 6 Ft. Grooming Mower
New Holland 24 Ft. Elevator Hardi Sprayers, Trailer & 3 Pt.

* Sales Applicable To Special Co. Discounts And Waivers That Apply During Time Of Purchase.

We Have Experienced Mechanics Available To Work On Your Equipment!

USED TRACTORS

International 884, 1980, 2258 Hrs., 73 PTO H.P. Cab, & 2250 Front-End Loader, Runs Good
International Cub With Rear-Mounted Wood Saw, Clean Ford 801, Utility, Diesel, Selectomatic
Ford 9N With 3 Pt. Hitch International-Farmall Cultivision B Tractor With Cultivator
John Deere 430 L&G, 1989, 390 Hrs., 3 Cyl. 20 H.P. Diesel 3 Pt. Hitch, 60" Mid-Mount Mower, Loader With 54" Bucket & Ballast Box, 54" Front Blade, Wheel Weights, Chains

USED MISC. EQUIPMENT

AC 16 Ft. Wing Disk Woods C80, 3 Pt., 80" Rotary Cutter w/Chains
2 Row Potato Diggers Ford Rear Blade, 3 Pt., 6 Ft. Mott Hammer Knife Mower 3 Pt., 5 Ft.
7 Ft., 3 Pt. Sickle Bar Mowers John Deere 1219 Mower Conditioner
John Deere 709, Rotary Cutter, 7 Ft. Pull-Type w/Cyl. & Hoses
Century Pull-Type Sprayer, 400 Gal., 5 H.P. Eng., w/Handgun
Ford 3 Bottom 14" Plow Case 4 Bottom 14" Plow King Wyse 24 Ft. Bale Elevator w/Motor
NH 479 Haybine

Use The JD Finance Plan — Interest Free Periods — As Applicable



New & Used Sales And Service

KERMIT K. KISTLER, INC.
RT. 143 LYNNPORT, PA. 18066
215-298-2011

Pick Up And Delivery!

A.L. HERR & BRO.

Park Ave., Quarryville, PA 17566

(717) 786-3521

We Ship Parts U.P.S.



MISCELLANEOUS

1973 Ford 8000 Truck Tractor, 1160 Cat diesel, used last 8 years in our business, has wet line, recent inspection and good rubber
(1) Used Cold Delco Hi-Pres. Washer, Approx. 1200 PSI, Nice \$500
Used Engine Block For JD 5010
(1) Complete Rebuilt JD 4219 Dsl. Eng.
New Material Buckets To Fit JF Loaders 145-146-148-158 48-58 in stock
1 Set of Pallet Forks
354 Perkins Engine Parts 16.9x34 new tires
(1) 12' 3 Pt. Power Rotary Hoe

NEW WHITE TRACTORS

White 145 4WD
White 6065 4WD
Duals to fit White 170 or 195
20.8Rx42 used 40 hrs.
White 6105 4WD w/ Cab

TILLAGE

(1) White 6342 4 Bottom Roll Over Plow
1 Used Kewanee 273 Field Cultivator, 18' Nice
New White 256 disc, 12'S"
New White 342 3 btm roll-over plow
New Kewanee 1175 disc, 18' SPECIAL PRICE
Used Kewanee 775 disc, 14' new in Spring 1991
1 Used Brady field cultivator w/rake, 13'

HARVESTING EQUIPMENT

(1) Used JD 1219 Mower Conditioner, like new, coming in
New Hay Tedders
New Bale Wagons

PLANTERS

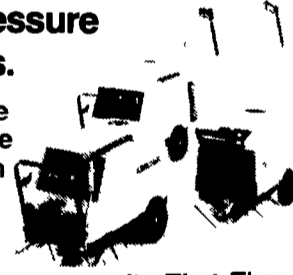
1 Used White 5100 4 Corn planter, like new
(1) Used AC 600 4R

KARCHER

High-Pressure Washers.

The #1 Line Of Pressure Washers In The U.S.A. They Have Features

Reliability & Longevity That The Competition Can't Touch



USED TRACTORS

JD 423 cab sharp **SOLD**
JD 4430 cab sharp **SOLD**
JD 4020, side console, WF **SOLD**
IH 1466 black trape fender tractor, sharp
(1) Ford 4000 Diesel, Select-O-Speed 13.6x38 Rear Tires
(1) Ford 7000 Diesel, 15.5x38 Rear Tire **SOLD**
JD 414 Power unit w/clutch & shut down switches
1989 JD 2555, 4WD, **SOLD**, excellent, 410 hrs.
1987 White 2-135 Series 3, 4WD w/cab, 1300 original hrs., excellent

WE APPRECIATE OUR CUSTOMER'S SUPPORT - WE HAD A SUCCESSFUL OPEN HOUSE!

G+D Equip. Co.
Offering Over 55 years combined mechanical experience to our customers
Farm Sales Service Parts
Factory Trained Technicians

White Farm Equipment
Cummins Engines B&C Series
White Outdoor Products
Kewanee Tanaka Safemark
RD #5 1344 N. Penryn Rd
Manheim, PA 17545
717-664-2207
We Take Pride In Our Work
We Ship Parts Daily By U.P.S.