

# JOHN DEERE

## NEW TRACTORS

John Deere 2755, 75 PTO, H.P., MFWD (4 Whl. Drive) 2 Post Roll-Guard, Hi-Lo, Fenders New Roll Guard & Fenders For JD 2155 — Special: \$600!

## NEW MISC. EQUIPMENT

2-Row Custom Built JD Corn Planters, 3 Pt. Or Pull, Avail. With All Attachments, 15" To 24" Width Settings -Ideal For Sweet Corn!  
 John Deere 16 Ft., 4 Section Drag Harrow  
 John Deere 672 Hay Rake, Pull-Type, Ground Drive  
 John Deere 1360 Mower Conditioner  
 John Deere 240, 3 Pt. Disk Mower, 5 Ft. 3 In. Width  
 John Deere 350, 3 Pt. 7 Ft. Sicklebar Mower  
 John Deere 503, 3 Pt. 5 Ft. Rotary Cutter  
 John Deere 606, 3 Pt. 6 Ft. Rotary Cutter  
 Woods M5, 3 Pt. 5 Ft. Rotary Cutter  
 Woods D80V, Pull-Type 80" Rotary Cutter  
 John Deere 272, 3 Pt. 6 Ft. Grooming Mower  
 New Holland 24 Ft. Elevator Hard Sprayers, Trailer & 3 Pt.  
 \* Sales Applicable To Special Co. Discounts And Waivers That Apply During Time Of Purchase.

## USED TRACTORS

International 884, 1980, 2258 Hrs., 73 PTO H.P. Cab, & 2250 Front-End Loader, Runs Good  
 International Cub With Rear-Mounted Wood Saw, Clean Ford 801, Utility, Diesel, Selectomatic  
 Ford 9N With 3 Pt. Hitch International-Farmall Cultivator B Tractor With Cultivator  
 John Deere 430 L&G, 1989, 390 Hrs., 3 Cyl. 20 H.P. Diesel 3 Pt. Hitch, 60" Mid-Mount Mower, Loader With 54" Bucket & Ballast Box, 54" Front Blade, Wheel Weights, Chains

## USED MISC. EQUIPMENT

AC 16 Ft. Wing Disk Woods C80, 3 Pt., 80" Rotary Cutter w/Chains  
 2 Row Potato Diggers Ford Rear Blade, 3 Pt., 6 Ft. Mott Hammer Knife Mower 3 Pt., 5 Ft.  
 7 Ft., 3 Pt. Sickle Bar Mowers John Deere 1219 Mower Conditioner  
 John Deere 709, Rotary Cutter, 7 Ft. Pull-Type w/Cyl. & Hoses  
 Century Pull-Type Sprayer, 400 Gal., 5 H.P. Eng., w/Handgun  
 Ford 3 Bottom 14" Plow Case 4 Bottom 14" Plow King Wyse 24 Ft. Bale Elevator w/Motor NH 479 Haybine

We Have Experienced Mechanics Available To Work On Your Equipment!

Use The JD Finance Plan — Interest Free Periods — As Applicable



New & Used Sales And Service

**KERMIT K. KISTLER, INC.**  
 RT. 143 LYNNPORT, PA. 18066  
 215-298-2011

Pick-Up And Delivery!

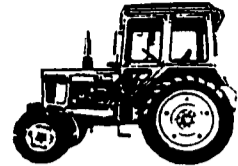
# Quality Products — Quality Service

\$100 Coupon

Good Towards Any Tractor or Jamesway Product



## Belarus



Tractors Available 31 hp - 100 hp

Sensible Down-To-Earth Tractors

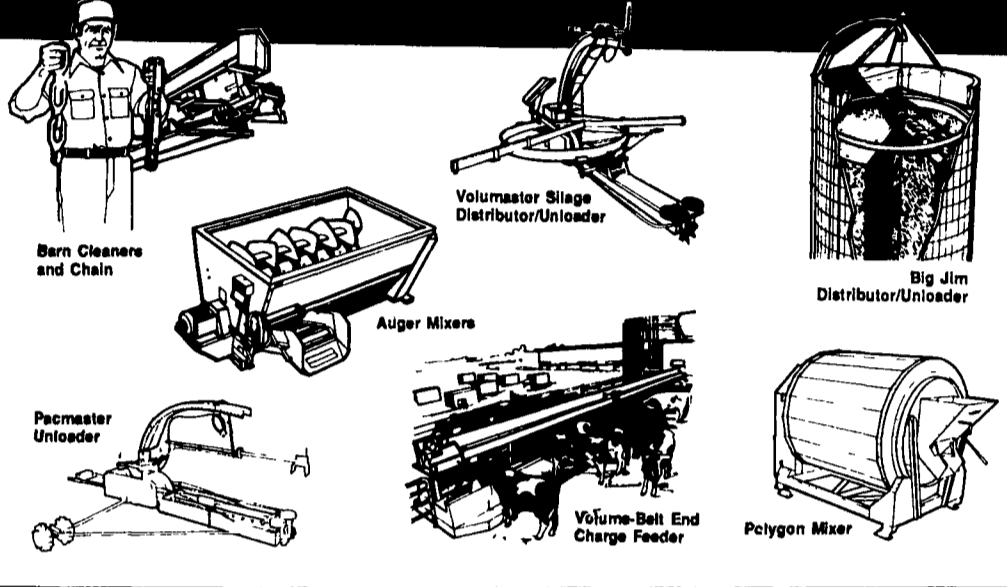
**ROVENDALE AG & BARN EQ.**

Watsonstown, PA 17777

Call For Excellent Prices!

Any & All Coupons Expire March 1, 1993

# UNLOAD IT, FEED IT, MOVE IT MIX IT... WITH JAMESWAY!

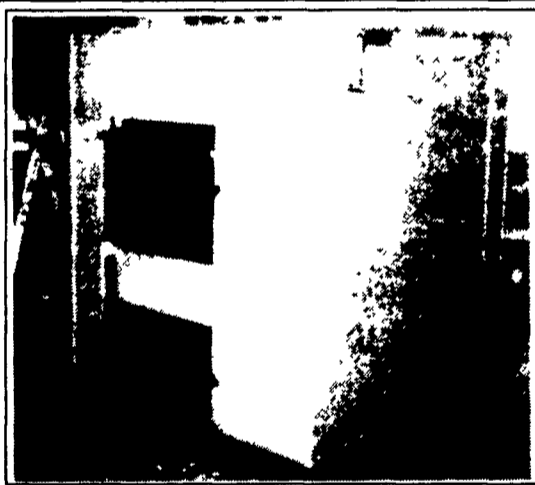


## ROVENDALE AG & BARN EQUIP.

Watsonstown, PA 17777

717-538-9564 or 717-742-4226

Exit 31, I-80 to I-180 Watsonstown Exit  
 Hours: Mon.-Fri. 8 to 5; Sat. 8 to 12



Model 200MF Stainless Steel. Finished in-plant and ready to ship.

### Get Comforting Heat and Efficiency.

The Mahoning Outdoor Multi-Fuel Furnaces provide thermostat controlled heat by economically burning wood, coal or fuel oil. The furnace is placed 25-100 feet outside the structure to be heated; connections between the furnace and building are buried underground. Wood or coal is the primary burning fuel lasting 8-12 hours in the furnace. For convenient, automatic firing the separate oil burner combustion chamber can provide heat until wood or coal burning is desired. Both Wood/Coal & the Fuel Oil burners are enclosed to heat the same water tank. The purpose of the firebox is to heat the water-filled tank surrounding the outside unit, this heated water is then circulated through underground pipes into your home. A heating coil is installed inside your existing heat system. The thermostat controls the blower which picks the heat off the coils and delivers warm air through existing ducts and registers. There are safeties which eliminate the danger of over-pressurizing the system and automatic shutdown in case of a power failure. The Mahoning Outdoor Furnace can also be connected to an existing hydronic heating system, that operates at 180° F or less, using fin tube baseboard, cast iron radiators or hanging hydronic heaters. Only the thermostat and heating coils are installed inside your home, eliminating open fire dangers, smoke, dust and messy kindling wood boxes. Adjust the thermostat for the Mahoning Outdoor Furnace to your comfort setting and it automatically controls the water pump and blower to circulate heat to your home. You may set the thermostat for your existing heat system to back-up the Mahoning Outdoor Furnace when not in operation or in case the firebox is left to burn out. An Aquastat senses the temperature of the water in the outside unit and automatically adjusts the combustion rate to maintain the correct temperature (normally 180 degrees).

### Hot Water too...

A Mahoning Outdoor Furnace is a heat exchanger. By running a cold water line from your home to the outside unit, fresh household cold water can be heated and returned to the hot water plumbing in the house. A tempering valve adjusts the hot water at the faucets to a range of 120° to 180°. This boiler system will adapt to any existing plumbing. Heat your pool & hot tub with energy generated by a Mahoning Outdoor Furnace!  
**For more information see your nearest dealer.**

# MAHONING



We have a variety of styles & sizes, and one to fit your home/business heating needs!

## OUTDOOR FURNACES

**Cut Your Heating Costs With Our Outdoor Furnace!**

**WOOD • COAL WOOD • COAL • OIL**  
 — STANDARD MODEL — — MULTI-FUEL MODEL —

Approved for Natural or LP Gas  
**Heat Your Home, Farm or Commercial Buildings with Mahoning Outdoor Furnaces**

### Safe - Efficient - Durable

Look at what makes the Mahoning Outdoor Furnace a great purchase...  
**CLEAN.** All dirt, dust, fuel and fire is outside. No chance of chimney fire or flue fire  
**ELIMINATES AIR POLLUTION IN THE HOME.** Smoke, fuel odors and other causes of allergies are outside the home.  
**SAFE FOR MOBILE HOMES.** Eliminate a danger that other furnaces contained in a mobile home can cause.

**NO DANGER OF EXPLOSION.** This is a zero pressure furnace.  
**ENCLOSED COMPONENTS.** The circulation pumps and electrical connections are enclosed in an insulated cabinet on the back of the Mahoning Outdoor Furnace.  
**ADAPTABLE.** Install our furnace in any forced air heating or hot water system  
**OUTSIDE SHAKER HANDLES.** Coal burning and ash removal made easy.

### CATALYTIC COMBUSTOR:

With the aid of Corning Company, we were able to design a catalytic combustor unit that is proven to provide the following:

- 1) Cut emissions by 80%.
- 2) Improve burning efficiency by 50%.
- 3) Efficiency rating of 83 to 85%.
- 4) Makes furnace more user friendly & neighborhood acceptable.
- 5) No more smoke belching!
- 6) Use 1/3 less wood to heat your home!

Proudly Built in Indiana County Pennsylvania  
**MAHONING MANUFACTURING**

Mahoning Outdoor Furnace Co.

R.R. Box 210, Rochester Mills, PA 15771 (412) 286-9959

### FOUR SIZES:

- Standard Model - Wood or Coal**
- Multi-Fuel Model - Wood, Coal or Oil**
- Model 100S both supply up to 100,000 BTU's per hour  
**100MF 24 inch long fire box**
- Model 200S both supply up to 200,000 BTU's per hour  
**200MF 36 inch long fire box**
- Model 300S both supply up to 300,000 BTU's per hour  
**300MF 48 inch long fire box**
- Model 400S both supply up to 400,000 BTU's per hour  
**400MF 60 inch long fire box**

Models and specifications subject to change without notice.

## MAHONING OUTDOOR MULTI-FUEL FURNACE

### CONSTRUCTION FEATURES:

- 22 ga. steel exterior
- 1/4 in. plate steel firebox
- 3 ft. smoke stack of 26 ga. stainless steel (9 ft. opt.)
- 3/16 in. plate steel water tank
- 2 in. foam insulation board cover underneath
- 8 in. legs with skids for easy handling.
- Shaker grates with external shaker handle.
- Large ash pit and large clean-out door for easy ash removal.
- Furnace water level gauge and water temperature gauge.
- Primed and painted finish (stainless steel opt.)
- Burns wood cut 24" to 60" depending on model.



Shaker Grate with Exterior Shaker Handle makes ash removal easy.

**LOOK TO MAHONING OUTDOOR FURNACE FOR EASY, WARM INEXPENSIVE LIVING!**