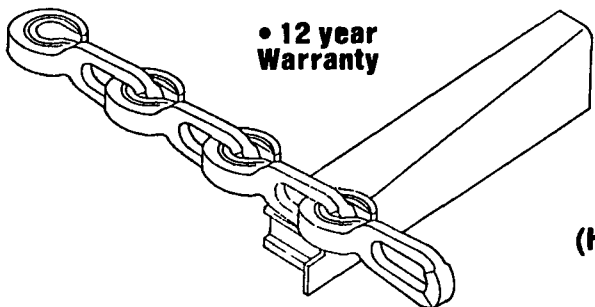


The 4ORCE!

- For...
- Ventilation • Conveying
 - Feeding • Pumps
 - Tankers • Silo Unloaders

J & D Manufacturing

A Leader In Gutter Cleaner Chain

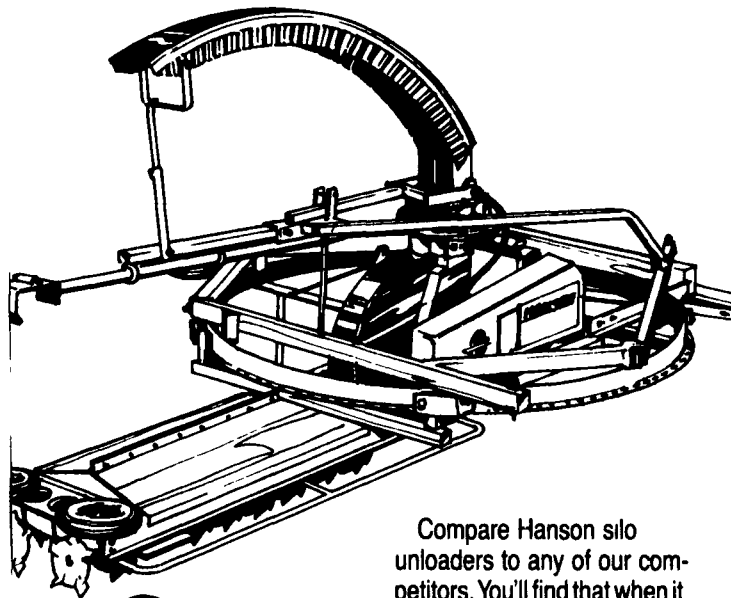


Super Hook (Hook Link Chain)

J & D Ventilation

Be Sure To Ask About The "BARNSTORMER"

Experience can't be imitated... quality can't be copied... Hanson can't be beat!



Compare Hanson silo unloaders to any of our competitors. You'll find that when it comes to value, there's no competition. Hanson. There really *is* a difference.

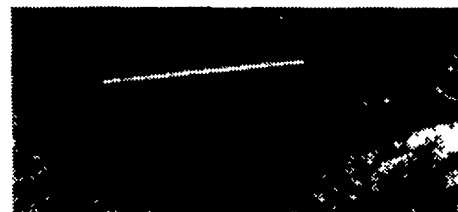


- Piston Pumps
- Vertical Electric Pumps
- Vertical PTO Pumps

Check the



- Trail'r Type Lagoon Pumps
- Prop Agitators
- 3 Point Hitch Pumps
- High Pressure Manure Irrigation Pumps



- Hydraulic Submersible Pumps
- Side Mount Pumps
- Slurry Tankers
- Vacuum Tankers

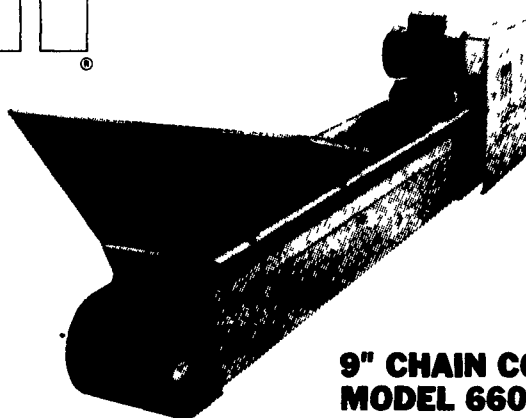


Replacement Parts and Rebuilds for Nesseseth, Badger and Butler Pumps

Check with your N-TECH Dealer for the most complete line of high quality, performance-proven liquid manure equipment available.

NTH, Inc. Barron, Wisconsin 54812 (715) 537-9207

METKO CONVEYING — FEEDING EQUIPMENT SPECIALISTS

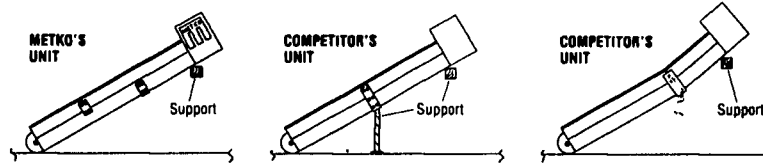


9" CHAIN CONVEYOR MODEL 660

COMPARE THESE FEATURES:

- RIGID-LOCK SECTIONS
- MODULAR SECTIONS
- ONE PIECE TROUGH
- ALL ADJUSTMENTS IN HEAD
- FULLY GREASEABLE-HEAD/BASE
- DOUBLE HUB C.I. SPROCKET
- GALVANIZED SECTIONS
- #62 CONNECTING LINK
- SNAP-ON COVERS
- PATENT PENDING

METKO'S EXCLUSIVE FEATURE: RigidLock® SECTION . . .



. . . CLEAR SPAN UP TO 30 FEET WITH ONLY END SUPPORTS.

This exclusive feature has the versatility of modular sections yet maintains the strength of a completely welded unit.

4 COMPANIES PROVIDING YOU THE BEST PRODUCTS AVAILABLE!

THE 4ORCE

HANSON • J&D MANUFACTURING • METKO • N-TECH

DEALERS THROUGHOUT PA, VA, MD, W.V.
LOCAL WAREHOUSE # 301-223-5151
8 AM to 5 PM M-F
CALL FOR THE DEALER NEAREST YOU

or

CONTACT: KRIS KNUDSEN AREA MANAGER
717-653-0385 FAX 717-653-0243