

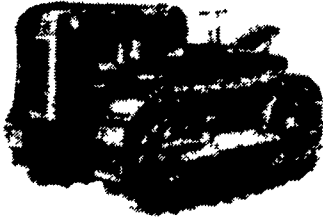
**EXCELLENT CONDITION
AND FIELD READY**

NH 358 Feed Grinder Mixer, \$9,000
Truck mounted 2375' Knight mix wagon, \$18,000
MF Combine 860, 6N corn head, 18' flex head, \$32,000
1000 Gallon John Blue sprayer, \$2,000
(4) Hay Wagons-Kick bales, (2) \$1250 (1) \$1,000, (1) 800
479 Haybine, \$1000
JD Fertilizer Spreader, \$500
806 IH diesel Tractor, \$5,000
MF Track loader, bad motor, best offer

301/253-0575 7 AM-4 PM

OLIVER CRAWLER PARTS

HG, OC-3, OC-4, OC-6 Our Specialty

NEW
&
USED**LANDIS ZIMMERMAN**

1450 Diamond Station Road, Ephrata, PA 17522

717-738-2573

We Ship
UPS Daily

Mon.-Sat.

Norm Shores & Son Tractor

RR 5, Towanda, PA 18848

717-265-9014

**Delivery Available—Lease Financing Available
USED TRACTORS**

Ford 7710 Series II, 4x4, no cab, w/Ford 777F loader, 1500 hours, very nice
Ford 7610, factory cab w/heat, dual power, 38" tires, very nice
Ford 6600 diesel, dual remotes, front & rear weights, nice clean tractor
Ford 5000 Dsl., 8 spd., flat deck model w/dual remotes, good condition
Ford 4000, 4 Cyl., gas, 5 speed, live PTO, PS, remotes, excellent
Ford 801 Dsl., 5 spd., live PTO, PS, weights, remotes, new paint
Ford 9N w/weights, front snow plow, excellent
JD 4440, cab, air, quad range, front weights, rear weights, dual remotes, 20x38 radials, nice clean tractor
JD 4050 4x4, cab, air, power shift, fully equipped, excellent

IH 886, factory cab & air, 1980 model, 1800 original hours, excellent condition
IH 966 w/roll bar & canopy, 18x38 tires, difflock, dual remotes, very nice
IH 986, 1980 Model, cab, air, dual remotes, digital, excellent
IH 1086, 1981 Model, cab, air, dual remotes, 20x38 tires, digital, fresh TA and clutch, front weights, excellent
Oliver 770 Dsl., NF, power booster, power steering, late one, excellent
Oliver 950 w/Oliver dsl. engine, factory hydraulics & PTO, very good original condition
David Brown 1212, power shift, dual remotes, front weights, excellent
Farmall M w/Power steering, extra clean

1988 Ford NH 555 Delux Skid Steer, Kubota Diesel, 1064 Hours, Excellent

USED PLANTERS AND DRILLS

IH 510 16 double disc drill w/seed & grass seed, excellent
IH 510 16 single disc drill all 3 boxes, excellent
IH 13 double disc drill all 3 boxes, exceptional smaller drill
HD 1240, 4R plateless w/dry fertilizer, good condition

USED PLOWS AND CHISELS

Oliver 548 4x16 Spring automatic w/coulters, very nice
White 508, 4x16, spring auto, fully equipped, good condition
White 598, 4 bottom, variable width, auto reset, very good condition
Case 6x18 auto reset w/coulters and gauge wheel excel. (White 588)
Oliver 4340 3x16 trailer plow, excellent original condition
Oliver 548 5x16 auto reset w/curved coulters, side hill hitch gauge wheel, excellent
Glenco 9 tooth soil saver, very good condition
Glenco 7 tooth soil saver, good condition
IH 720 4x18 auto reset, coulters and gauge wheel, very nice
IH 710 5x16 Auto Reset, coulters & gauge wheel, very nice

USED DISCS AND HARROWS

McConnell 16' transport spring tooth harrow
Kewanee 12' rock flex finishing disc, very nice
White 253 12' finishing disc w/tandem wheels, very nice
Brillion 12' roller harrow, excellent
JD 310, 14' disc, new 22" blades, tandem wheels and cylinders, excellent
Brillion 12' packer w/4" axle, very nice
White 265 11' heavy frame cutting disc w/tandem wheels & 24" blades

USED FORAGE EQUIPMENT

Gehl CB700 w/late style dolly wheel pickup head, hydraulic sharpener, manual controls
Gehl RC800 recutter blower, very nice
Gehl 1250, tandem axle, electric controls, 3 RN, 7' pickup, nice condition
Rex 3 beater w/roof tandem axle wagon, steel sides, very nice condition (Lamco)
NH 900 w/electric controls & tar w/FNH 824, FNH 900 pickup, excellent
NH 782, electric controls, 540 PTO, 2 heads, good condition
IH 56 forage blower, black, excellent

USED HAY EQUIPMENT

JD 640 rake w/dolly wheel & rubber teeth
NH 320 w/#70 thrower, electric controls, just like new
NH 316 w/pan kicker, electric controls, excellent
NH 495 12' Haybine, v. good condition
NH 256 Rake, w/rubber teeth, nice
New quality Diller 9x18 bale throw racks w/choice of 6 or 8 ton gears

USED HARVESTER HEADS

FNH 900 w/hay head, like new
NH 3 RN Auger base package w/8' pickup
JD 3 RN corn head w/multi luber, good condition
JD 2 RN w/clutch, excellent

LOADERS

Ford 777F, QT, w/brackets for 7700, 7610, 7710 4x4
Ford 772 QT w/brackets for 5000 thru 7610

MISCELLANEOUS

JD 450 hydro push spreader w/hyd. gate
NI 325 2RN, 12 roll picker, late one, nice
Kilbros gravity bin w/hyd. auger
Used 18.4x34 snap-on duals

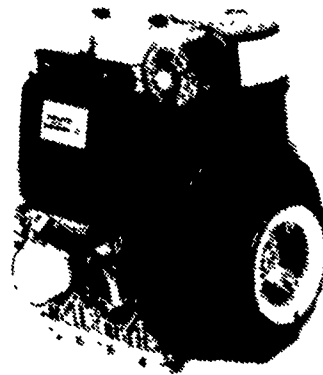
TO SETTLE ESTATE

NH 354 Grinder Mixer.....\$3,500
JD 700 Double Hay Rake.....\$4,800
NI 1 R Corn Picker.....\$2,500
JD 5 Bottom Plow, Fast Hitch.....\$700
Woods 208 9' Rotary Mower,
3 Pt. Hitch.....\$2,500
NH Hay Liner, 320 Baler w/Thrower.....\$6,800
Schwartz 880 Feed Mixer Wagon
w/Scales.....\$5,500
Knight Reel Auggle 2300 mixer wagon
w/scales, Used 3 months.....\$15,800
International sobyeen special 5100
grain drill.....\$6,500
410-275-1030 Evenings

All Steel Frame
Hay Wagon, 8x18
All Sizes, Steel
Hay Feeders
24' Feeder On
Whls.
Self Locking Panels
J & L EQUIPMENT
St. Thomas, PA
717-369-2637

STAUFFER DIESEL SALE**RARE OPPORTUNITY... BRAND
NAME DIESELS BARGAIN PRICES**

DEUTZ-RUGGERINI Diesels are latest technology, compact, light weight, self contained, all purpose power units. Deutz-Ruggerini air cooled diesels, power unit type with PTO shaft, fuel tank (or fuel pump), air cleaner and muffler.



Direct fuel injection for best fuel economy and easy starting without glow plugs. Long life features include steel crankshaft, cast iron cylinders and pressure lubrication throughout. Buy now! Sale can't be repeated!

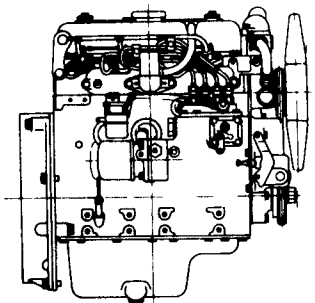
- 1) MD 751 1-cyl. Diesel, Hand Start, 6.7 HP @ 3600 RPM, 95 Lbs. #4546. List \$1870.....\$995
- 2) MD 95 1 Cyl. Diesel, Electric Start w/SW Panel, 7.5 HP @ 3000 RPM, 97 Lbs. 4592/3. List \$2091.....\$1,255
- 1) MD 150 2-Cyl. Diesel, Electric Start w/SW Panel, 12.6 HP @ 3000 RPM, 110 Lbs. #4542. List \$2,997.....\$1,645
- 2) MD 150 2-Cyl. Diesel, Electric Start w/SW Panel, 12.6 HP @ 3000 RPM, 110 Lbs. #4544/45. List \$3,022.....\$1,727
- 1) MD 151 2-Cyl. Diesel, Electric Start w/o SW Panel, 15.2 HP @ 3600 RPM, 110 Lbs. (Show Model) #4550. List \$2868.....\$1,590 (Parts Only Warranty)

Deutz Warranty: Unlimited hours for a term of 12 mo. Covers both parts & labor.

DEUTZ F5L-912 Diesel, Rebuilt, 88 HP @ 2300 RPM. Loose Power Unit, With 10" PTO Clutch w/o Starting Panel. Written Warranty. #4997.....\$4,750

MITSUBISHI SALE

Special surplus inventory purchase makes these super values possible. These Mitsubishi diesels are very smooth and quiet. Mitsubishi is known for long engine life. Ideal where noise is a problem.



* 8) K4E 4-cyl. liquid cooled diesels, rated 21 Hp @ 1800 RPM, or 30 Hp @ 3000 RPM. Electric start, w/o starting panel. Also includes radiator loose, fan, flywheel, housing, mounts, air cleaner, fuel/oil filters and choice of governor settings. w/o muffler. 365 lbs. List \$3391.....\$1,825

SDI Warranty: 12 mo. parts warranty only. No labor coverage.

Call Harold, Tim or Ron for more information. Prices are per unit.
10 DAY MONEY BACK GUARANTEE. Limited time offer.

Stauffer Diesel Inc.

46 Pleasant Valley Rd., Ephrata, PA 17522
(717) 738-2500
Branch: Irwin, PA (Pittsburgh Area)
(412) 864-6969