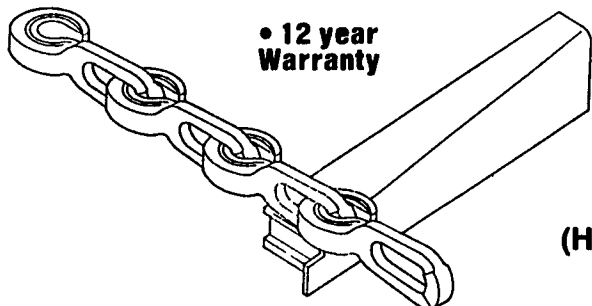


Look For Us At The PENNSYLVANIA FARM SHOW!

Booth Numbers —
146, 147, 148, 155, 156 & 157



A Leader In Gutter Cleaner Chain



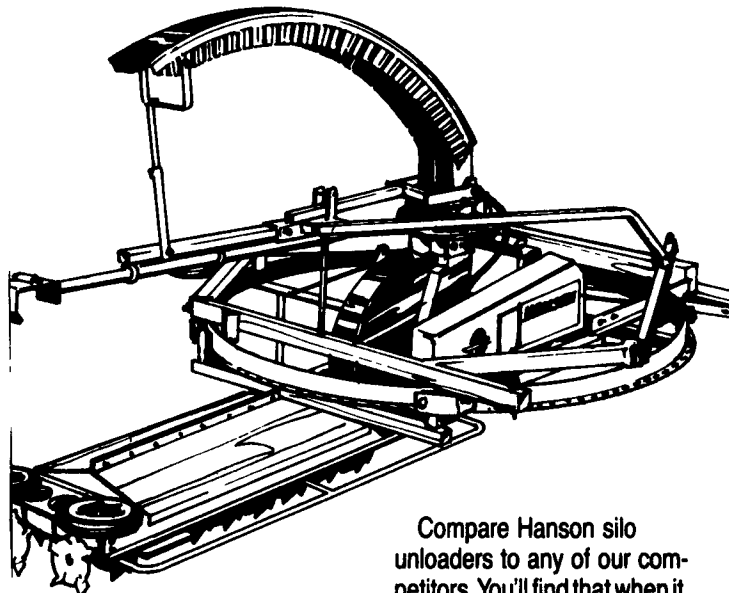
• 12 year Warranty

Super Hook (Hook Link Chain)

J & D Ventilation

SEE THE NEW "BARN STORMER" AT THE FARM SHOW!

Experience can't be imitated... quality can't be copied... Hanson can't be beat!



Compare Hanson silo unloaders to any of our competitors. You'll find that when it comes to value, there's no competition. Hanson. There really *is* a difference.

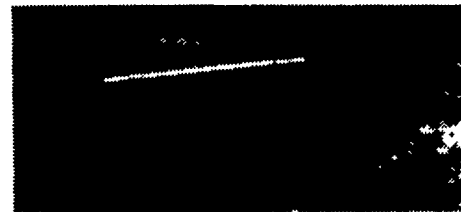


Piston Pumps
Vertical Electric Pumps
Vertical PTO Pumps

Check the



Trail'r Type Lagoon Pumps
Prop Agitators
3 Point Hitch Pumps



High Pressure Manure Irrigation Pumps
Hydraulic Submersible Pumps



Side Mount Pumps

Slurry Tankers

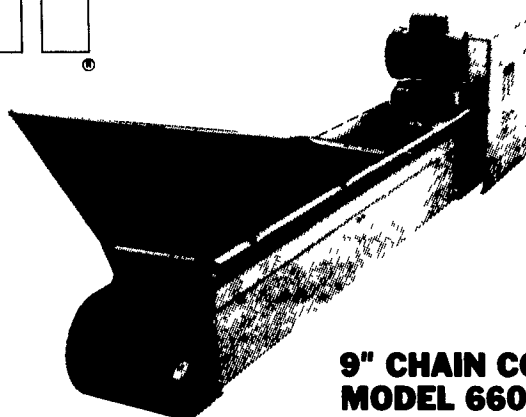
Vacuum Tankers

Replacement Parts and Rebuilds for Nesselth, Badger and Butler Pumps

✓ Check with your N-TECH Dealer for the most complete line of high quality, performance-proven liquid manure equipment available.

NTH, Inc. Barron, Wisconsin 54812 (715) 537-9207

METKO CONVEYING — FEEDING EQUIPMENT SPECIALISTS

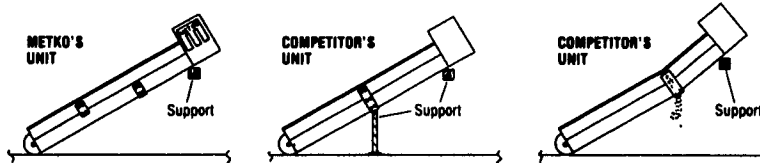


9" CHAIN CONVEYOR MODEL 660

COMPARE THESE FEATURES:

- RIGID-LOCK SECTIONS
- MODULAR SECTIONS
- ONE PIECE TROUGH
- ALL ADJUSTMENTS IN HEAD
- FULLY GREASEABLE-HEAD/BASE
- DOUBLE HUB C.I. SPROCKET
- GALVANIZED SECTIONS
- #62 CONNECTING LINK
- SNAP-ON COVERS
- PATENT PENDING

METKO'S EXCLUSIVE FEATURE: Rigid Lock[®] SECTION . . .



. . . CLEAR SPAN UP TO 30 FEET WITH ONLY END SUPPORTS.

This exclusive feature has the versatility of modular sections yet maintains the strength of a completely welded unit.

4 COMPANIES PROVIDING YOU THE BEST PRODUCTS AVAILABLE!

THE

4ORCE

HANSON • J&D MANUFACTURING • METKO • N-TECH

DEALERS THROUGHOUT PA, VA, MD, W.V.
LOCAL WAREHOUSE # 301-223-5151

8 AM to 5 PM M-F

CALL FOR THE DEALER NEAREST YOU

or

CONTACT: KRIS KNUDSEN AREA MANAGER
717-653-0385 FAX 717-653-0243