

Pa. Grain

December 28, 1992

Report supplied by PDA
 COMPARED WITH LAST MONDAY'S MARKET FOR SOUTHEASTERN, CENTRAL, AND SOUTH CENTRAL PA: CORN STEADY TO .03 HIGHER; WHEAT STEADY TO .04 HIGHER, BARLEY UNEVEN, STEADY TO STRONG; OATS STEADY TO .02 HIGHER; NEW EAR CORN MOSTLY STEADY, SPOTS TO 1.00 HIGHER; SOYBEANS STEADY TO .06 HIGHER.

SOUTHEASTERN PENNSYLVANIA
 CORN NO. 2-Y RANGE 2.15-2.60, AVERAGE 2.36; @WHEAT NO. 2 RANGE 3.35-3.75, AVERAGE 3.58, FEW REPORTED CONTRACT FOR HARVEST 2.93-3.17; BARLEY NO. 3 RANGE 1.75-2.00, AVERAGE 1.86; OATS NO. 2 RANGE 1.40-1.80, AVERAGE 1.63; SOYBEANS NO. 1 RANGE 5.20-5.70, AVERAGE 5.50; FEW REPORTED GR. SORGHUM #2 RANGE 2.10, AVERAGE 2.10; AVERAGE MOISTURE NEW EAR CORN RANGE 50.00-60.00, FEW REPORTED 70.00, AVERAGE 55.92.

SOUTH CENTRAL PENNSYLVANIA
 CORN NO. 2-Y RANGE 2.00-2.35, AVERAGE 2.19; @WHEAT NO. 2 RANGE 3.00-3.60, AVERAGE 3.30; BARLEY NO. 3 RANGE 1.65-1.80, AVERAGE 1.68; OATS NO. 2 RANGE

1.25-1.50, AVERAGE 1.37; FEW REPORTED SOYBEANS NO. 1 RANGE 5.42-5.60, AVERAGE 5.54; FEW REPORTED NEW EAR CORN RANGE 45.00-57.00, AVERAGE 51.17.

SOUTHEASTERN, CENTRAL & SOUTH CENTRAL SUMMARY
 CORN NO. 2-Y RANGE 2.15-2.60, AVERAGE 2.32; @WHEAT NO. 2 RANGE 3.00-3.75, AVERAGE 3.45; BARLEY NO. 3 RANGE 1.65-2.00, AVERAGE 1.77; OATS NO. 2 RANGE 1.25-1.80, AVERAGE 1.52; SOYBEANS NO. 1 RANGE 5.70-5.70, AVERAGE 5.46; AVERAGE MOISTURE NEW EAR CORN RANGE 50.00-60.00, AVERAGE 54.17.

CENTRAL PENNSYLVANIA
 CORN NO. 2-Y RANGE 2.20-2.45, AVERAGE 2.34; @WHEAT NO. 2 RANGE 3.00-3.57, FEW REPORTED 3.75, AVERAGE 3.34; BARLEY NO. 3 RANGE 1.65-1.85, AVERAGE 1.71; OATS NO. 2 RANGE 1.40-1.60, AVERAGE 1.49; SOYBEANS NO. 1 RANGE 5.10-5.50, AVERAGE 5.37; FEW REPORTED NEW EAR CORN RANGE 50.00-60.00; AVERAGE 53.60.

WESTERN PENNSYLVANIA
 CORN NO. 2-Y RANGE 2.10-2.60, FEW REPORTED 1.90, AVERAGE 2.29; @WHEAT NO. 2 RANGE 2.95-3.40, AVERAGE 3.27; BARLEY NO. 3 RANGE 1.60-1.73, AVERAGE 1.67; OATS NO. 2 RANGE 1.25-1.60, FEW REPORTED 1.93, AVERAGE 1.58; FEW

REPORTED SOYBEANS NO. 1 RANGE 4.97-5.35, AVERAGE 5.16; FEW REPORTED +BUCKWHEAT RANGE 8.00, AVERAGE 8.00.

MONTH AGO

CORN NO. 2 Y AVERAGE 2.20; @WHEAT NO. #2 3.41; BARLEY NO. 3 1.73; OATS NO. 2 1.47; SOYBEANS NO. 1 5.31; NEW EAR CORN 52.42.

YEAR AGO

CORN NO. 2 Y AVERAGE 2.86; @WHEAT NO. #2 3.76; BARLEY NO. 3 2.04; OATS NO. 2 1.65; SOYBEANS NO. 1 5.48; NEW EAR CORN 79.00.

National Grain Market

St. Joseph, Mo.

Tuesday, December 29, 1992

USDA DAILY NATIONAL GRAIN SUMMARY: Milder weather forecast, continued loan delinquencies with Russia, slowed export orders and year end balancing drove grain and soybean prices lower. Wheat unchanged to 5 cents lower. Corn 1 to 4 cents lower. Sorghum 3 cents lower. Soybeans 3 to 4 cents lower. Wheat prices slid lower, pressured by ideas U.S. winter wheat crop made it through last week's cold spell with little damage. Forecasts for

warmer temperatures this week eased fears of winterkill damage. Corn prices continue to decline in slowed holiday trading and spill-over weakness in wheat prices. Corn harvest reported 96 percent complete. Year end positioning and book closing factor for lower soybean prices.

EXPORT NEWS: Sri Lanka bought 50,000 tonnes U.S. spring wheat under EEP for January shipment. Taiwan bought 54,000 tonnes U.S. No. 2 yellow soybeans for February.

DATE CHANGE YEAR AGO TRUCK BIDS: 12/29/92 12/28/92 12/31/91 WHEAT: KANSAS CITY 3.66-3.67 DN 3 4.18-4.21 MINNEAPOLIS TRUCK BID 3.78 DN 1 1/2 4.27-4.29 PORTLAND 4.19-4.21 NC 4.65-4.67 ST. LOUIS 3.67-3.70 DN 4-5 3.70-3.73.

CORN, U.S. NO. 2 YELLOW: KANSAS CITY 2.13-2.17 DN 1 2.50-2.53 MINNEAPOLIS 2.00 1/2 DN 1 3/4 NB SO. IOWA 2.0810-2.10 DN 2-4 2.41-2.45 OMAHA 1.95-1.97 DN 1-2 NA.

SOYBEANS, NO. 1 YELLOW: KANSAS CITY 5.63-5.64 DN 4 5.57-5.60 MINNEAPOLIS 5.42 3/4 DN 4 1/2 NB SO. IOWA 5.56-5.61 DN 4-3 1/2 5.47-5.50 C. ILL. PROCESSORS 5.64 3/4-5.75 3/4 DN 4 1/2 5.64-5.69.

*TRUCK BIDS FOR KANSAS CITY,

US NO. 1 HARD RED WINTER WHEAT, ORDINARY PROTEIN. MINNEAPOLIS, US NO. 1 DARK NORTHERN SPRING WHEAT, 14% PROTEIN. PORTLAND, NO. 1 SOFT WHITE WHEAT, ST. LOUIS, NO. 2 SOFT RED WINTER WHEAT.

FUTURES CLOSE: KANSAS CITY (MAR) WHEAT 3.44 DN 3 NA MINNEAPOLIS (MAR) WHEAT 3.33 DN 1 1/2 NA CHICAGO (MAR) WHEAT 3.49 1/4 DN 4 NA (MAR) CORN 2.17 1/2 DN 1 3/4 NA (JAN) SOYBEANS 5.67 3/4 DN 4 1/2 NA.

EXPORT: BARGE OR RAIL, PORT OF NEW ORLEANS OR NORTH TEXAS GULF. NO. 1 HARD RED WINTER WHEAT ORDINARY PROTEIN 3.98-4.00 DN 2 4.54-4.55 NO. 2 SOFT RED WINTER WHEAT 3.91-3.92 DN 3-4 4.45 NO. 2 YELLOW CORN 2.33 1/2-2.34 1/2 UP 2 1/2-DN 1 1/2 2.72 NO. 2 YELLOW SORGHUM RAIL 4.28 DN 3 BARGE 4.28 DN 3 4.94-4.92 NO. 2 YELLOW SOYBEANS 5.95 3/4-5.96 DN 3 1/4 5.90.

New England Shell Eggs

Tuesday, December 29, 1992

NEW ENGLAND: Prices were unchanged. Trade sentiment was steady. Demand continued seasonally good. A retail special on large at 69 cents without restrictions provided a very good demand. Supplies of brown eggs were tight to adequate, and white eggs were adequate.

PRICES PAID TO PRODUCERS, CASES EXCHANGED, GRADE YIELD BASIS, BROWN EGGS LOOSE, AT FARM, CENTS PER DOZEN RANGE JUMBO .78-.81, EXTRA LARGE .77-.80, LARGE .72-.75, MEDIUM .52-.55, SMALL .34-.37.

BOSTON: PRICES TO RETAILERS, SALES TO VOLUME BUYERS, USDA GRADE A AND GRADE A, BROWN EGGS IN CARTONS, DELIVERED STORE DOOR, CENTS PER DOZEN RANGE EXTRA LARGE .96-.98, LARGE .91-.93, MEDIUM .71-.73.

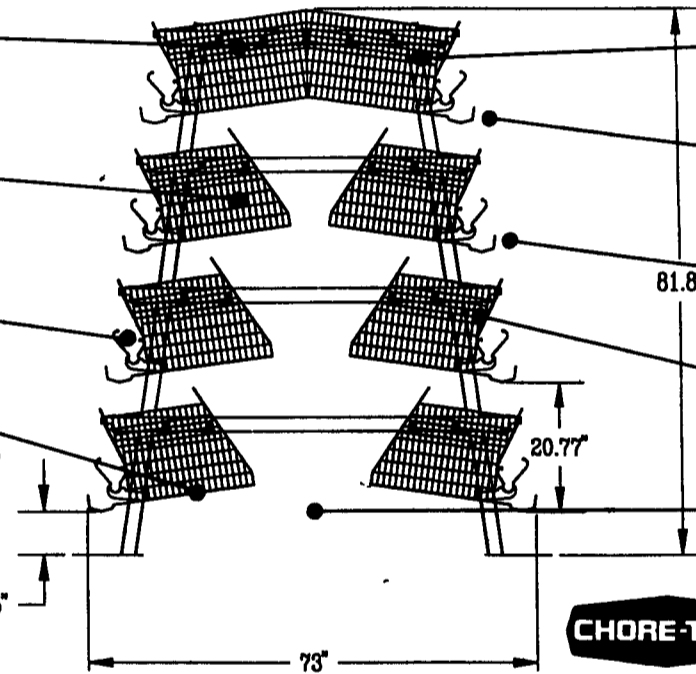
Remodel With Chore-Time Duratrim And Get More Birds, Better Performance, Higher Income And Lower Maintenance

You get more room in our top cage for extra birds

Note the extra wire in partitions, backs and tops for added strength

ULTRAFLO® goes 80 feet per minute and has a 5 year warranty

Special wire on cage floors is welded before being galvanized. This gives stronger welds and better coating, one more reason why Chore-Time outlasts other systems



Ten year warranty on cages. Call or send for a copy

Egg tray is out farther to prevent egg jam-ups

This extra high lip on the egg tray saves eggs

Available with 24"x20" cages or 16"x20" cages

Get 33% more birds because it is only 73" wide



Remodel with Chore-Time and you can have more birds, better performance and less maintenance. Chore-Time's 4 tier, 20 inch deep Duratrim is the same width as 3 tier dropping board systems and 4 tier reverse cages. Go from 60,000 birds to 80,000 birds.

ULTRAFLO® saves feed. Birds can't pick over feed while the feeder is running. When they eat the auger stops birds from piling feed and flinging feed. **WHY NOT CHECK OUT THE FACTS FOR YOURSELF?** Contact us now - or ask any producer who owns ULTRAFLO®

Chore-Time's Popular ULTRAFLO® Cage Feeding System Is Now Even More Outstanding!

We've developed and tested the second generation of ULTRAFLO® feeders and named it the ULTRAFLO® II.

ULTRAFLO® II offers you even greater reliability, durability, and outstanding feed-saving performance - up to 1 gram of feed per bird per day - over the original ULTRAFLO®. And even the original ULTRAFLO® was beating our competitors in feed savings!

So, join the cage feeding leader. Contact us today. Find out how Chore-Time and ULTRAFLO® II can help you be a leader, too!



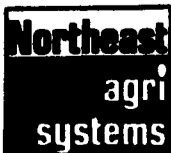
EASY AUGER CONNECTOR.

Allows fast and simple installation, also quick and easy repair of auger if ever necessary. Auger and trough are both warranted 5 full years. Chain feeders are not.



New Shape
 The difference is the shape of the feeder's trough (at right) ULTRAFLO® II's higher trough lip reduces feed waste by keeping it in the trough and not on the floor or in the pit.

Northeast Agri Systems is Pennsylvania's Authorized CHORE-TIME Master Distributor



Northeast Agri Systems, Inc.

FLYWAY BUSINESS PARK
 139 A West Airport Rd.
 Lititz, PA 17543

717-569-2702
 TOLL FREE CUSTOMER SERVICE NUMBER:
 1-800-673-2580



IF YOU ARE THINKING OF REMODELING OR FOR FREE ESTIMATES CALL OUR TOLL-FREE CUSTOMER SERVICE NUMBER: 1-800-673-2580

SCALE WATCHER®

ELECTRONIC WATER CONDITIONER

- Energy Saving
- No Maintenance
- Uses No Salt
- No Chemicals
- Eliminates Scale

Crandell-Thorley, Ltd.
 955 Centerville Rd.
 Lancaster, PA 17601

717-898-9630

