

**MAILBOX MARKET WANTED**

Air blast sprayer for small hi density orchard Narrow rows Aaron King, 96 Paradise Lane, Ronks, PA 17572 Lanc Co

718 or 782 with 2 row corn head also 3 point hitch sickle bar mower Union Co 717-922-4350

Small camping generator 1000 watts or less, also an above ground gas tank Call 717-258-6360 Cumberland County

Farmhouse with barn & outbuildings, pond-stream, wooded acreage Northumberland, Snyder Co area, handyman specials OK Bruce Konek 215-767-1413

4WD 1/2 or 3/4 Chevy Tk's 55-59 any cond also need front sale axle 4x4 1/2 55-59 Chevy (Help) (301)293-2269 Fred Co Call collect

Corn husker shredder Write price and condition to Ira Stoltzfus, RD #3 Box 31, Williamsport, PA 17701

Model A Ford must be in good condition 908-537-2424 Hunterdon County New Jersey

40' sawmill blade Franklin Co 717-597-4494

Gurnsey bull 8 to 10 month old No papers needed State price contact in writing to Amos Martin, RR 03 Box 275F, Selinsgrove, PA 17870

Milk Porter Sputnik David Smucker, 927 Bartville Rd., Christiana, PA 17509

JD 435D tractor, Fordson Model S, JD F-125 2B3PTH plow, ROPS canopy for JD 3020 York Co Evenings 717-266-5558

Hoosier oak kitchen cabinet with flour and sugar bins and spice rack 410-877-1713 Harford County

Will trade duplicate Winross literature for same, also willing to purchase Want to buy Jevic, Tootise Roll trucks, Mike 717-737-4386 Cumb Co

Propane refrigerators & freezers in good cond, also want 1961 Lincoln Continentals in any cond Ocean Co N.J. 201-929-4358

Toys of any kind Cars, trucks, planes, boats, robots, soldiers, etc., 1960's & older, cash paid York Co 717-292-5573

Broom makers hand winder and press Clinton County 717-962-2969 leave message.

1 row potato digger PTO 215-795-2137 Bucks County

Wanted used energy free cattle waterer also used Port-A-Hut 12'-14' wide. Dauphin County (717)365-3310 or (717)365-3050

Attic Flooring and Log Houses. 717-626-4520.

H.S. Gilbert Chambersburg 7 in 1 combination wrench wanted. Name your price Write- Harry Wehler, 3655 Admire Rd., Dover, PA 17315.

Old Maryland milk bottles by serious collector. Cash paid or will trade. Call collect after 6 p.m. 301-721-0473. Crownsville, Maryland

Miniature jenny donkey must be under 35", any age, to excellent home on farm w/other donkeys. Call collect 301-875-0118

**MAILBOX MARKET NOTICE**

We adopt and/or buy exotic animals: Deer, Pygmy Goats, Elk, Buffalo, Leopards, Cougars, Peafowl, etc. Berks, 215-374-2114.

Siberian Husky stud service red & white, silver & white, blue eyes. Adams Co 717-334-3984.

1970 Dodge pickup, 318 V8, auto. trans., runs perfect, some rust, 61,800 miles, great farm truck \$450. Leb Co. 717-933-5648

Free, loveable kittens and young cats to good home. Phone 215-969-2522 Chester County, Pa.

(2) 275 gravity bin wagons on 10 ton running gear, adjustable tongue with slip plated, used 1 year like new 717-235-1061 York County

Storage for boats, cars, RV's, farm equipment at Wakefield. \$30 month and up Lancaster Co 717-548-4131.

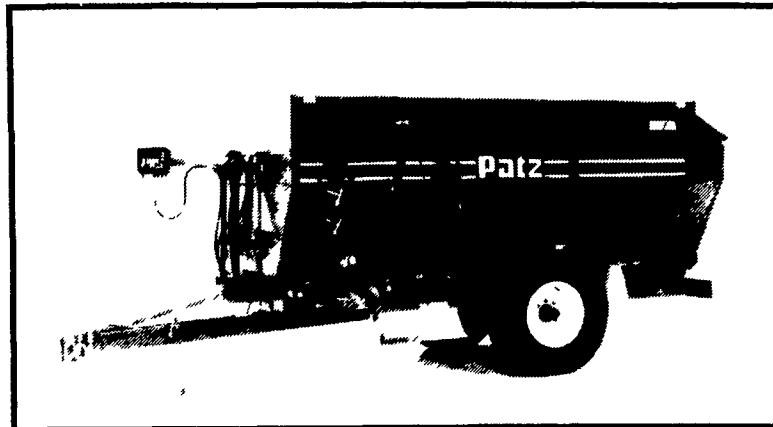
Free cats for farm. 215-267-6086 Lanc. County

**NEW PRODUCTS FROM...**



**THE PROGRESSIVE COMPANY!**

**Patz® Offers Open-Top Mixers Trailer-Mounted & Stationary**



**LOW RATE FINANCING -**  
• 24 Mo. • 36 Mo. • 48 Mo.

Four notched, 24-inch augers mix fast-even square-baled dry alfalfa in limited amounts.

Self-aligning auger bearings mounted outside.

Flanged auger tubes for easy removal.

Roller-chain reduction with sealed oil bath and planetary gear drive for the augers.

On trailer models, the feed discharge features a hydraulically powered door and augers.

Electronic scales precisely weigh total mixed rations.

For trailer models: 540 R.P.M. PTO

For stationary models: electric motors.

Capacities of 190, 240 and 290 cubic feet (bigger models available soon).

Stainless steel bottom liner available.

**SCHOOL AUCTION**

**CAFETERIA EQUIPMENT, PIANOS, DESKS, CHAIRS SATURDAY, NOVEMBER 21, 1992 9 A.M.**

Jullan Street, Williamstown, Pa. Take Rt. 81 North to exit 33. Travel South on Rt. 209 for 10 miles and watch for signs to Williamstown. Go West on Market Street and turn North on North Street to Jullan.

**FURNITURE:** Approx. 600 elementary student desks and chairs. 30 oak teacher desks, 65 oak office chairs, 15 oak tables (up to 6'), 40 oak spindle back small chairs, 15 small oak square back chairs, oak library circulation desk, oak easels, oak dbl. desks & chairs, 100 2 & 4 seat wooden folding chairs, metal folding chairs, 10 folding cafeteria tables w/seats, 9' book case w/wainscoting back, 6' book cases, Lg. variety book shelves, work tables, benches, metal utility cabinets, 6 office desks, office furniture, 50 file cabinets, drawing tables, adj. typing desk, etc.

**EQUIPMENT:** Nevco Scoreboard: B Ball & Wrestling, lockers, wt. scales, gymnastic equip., typewriters: maual & IBM Selectric (As is), duplicators, TV's, blackboards, fire extinguishers, 10 Oasis water fountains, floor safe, Radio Shack computers, etc.

**PIANOS:** 10 Gulbransen & Stieff, (1) Ball & claw foot piano stool.

**CAFETERIA EQUIPMENT:** 2 GE run through dishwashers, 2 3 hole warmers & serving tables, Vulcan Stove, Garland Oven, Hotpoint Grille w/oven, 2 7' exhaust hoods (1 Stainless), Travelsent Freezer, Jordan Refrig., 2 Shelley Glass Milk Coolers, 3 Ice Cream Freezers, French Fryer, 5 food warmers, 2 lg. work tables w/cutting tops, 2 stainless dbl. sinks w/drainboards, 2 utensil holders, 2 water heaters, etc. Cafeteria equipment is in good condition and will be sold at 11 a.m.

**MISC.:** 3 air blowers w/3 HP Motors, 220 V, 3 HP wood chipper, Lektro hand-truck, grinder, floor scrubber, wheelbarrow, 200 AMP Triplex cable.

**AUCTIONEERS NOTE:** This is a huge sale consisting of the contents of 3 buildings which were closed in June. The larger items and many desks will be cataloged and will remain in their present locations in any of 3 buildings. Plan to arrive early to inspect all auction sites.

**Auctioneers**  
Raymond Stump Lic. No. AU-002173-L Tower City, Pa. 17980 717-647-2740

Mark Baranowski Lic. No. AU-002570 Harrisburg, Pa.

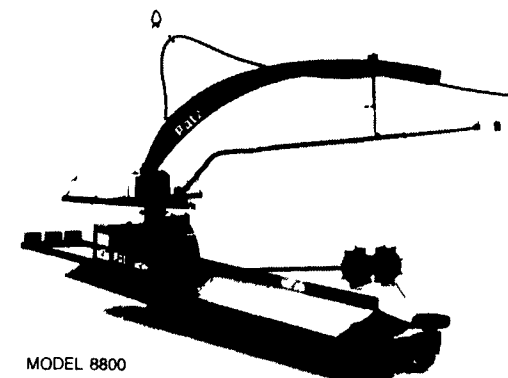
Suzanne Stump Lic. No. AA-002001-L Apprentice



Sale Ordered by  
**WILLIAMS VALLEY SCHOOL DISTRICT**  
Board of Directors  
Tower City, Pa. 17980

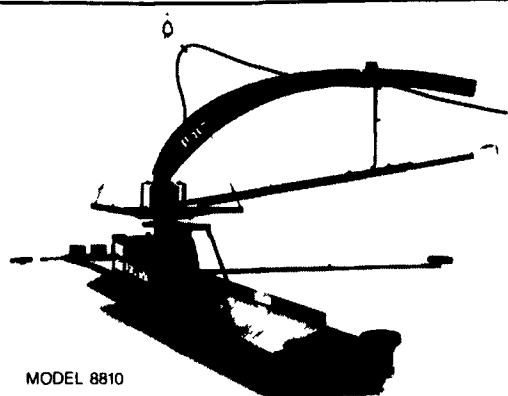
**4.9% FINANCING**

- Silo Unloaders
- Gutter Cleaners
- Replacement Chain



MODEL 8800

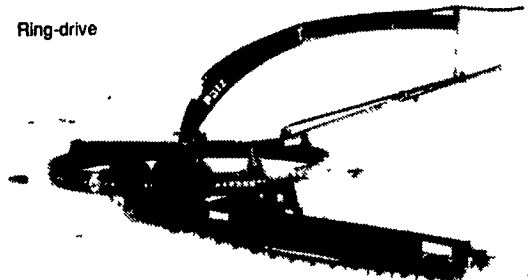
Model 8800 Dual-Auger Surface-Drive Silo Unloader **Patz Quality!**



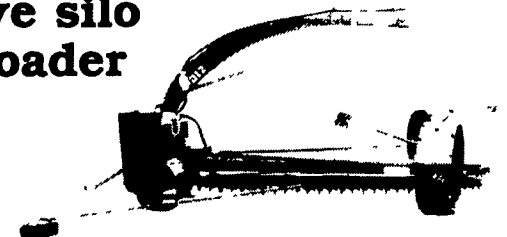
MODEL 8810

Model 8810 Dual-Auger Center-Drive Silo Unloader **Patz Quality!**

RD-820 Ring Drive Silo Unloader



**PATZ® INTRODUCES NEW MODEL 98C surface-drive silo unloader**



**SEE YOUR NEAREST PATZ DEALER**

**ALEXANDRIA**  
MAX ISENBERG  
814-669-4027

**BALLY**  
LONGACRE ELECTRIC  
215-845-2261

**BEDFORD**  
BENCE'S FARM EQUIP.  
814-623-8601

**BELLEFONTE**  
LUCAS BARN EQ.  
814-383-2806

**BELLEVILLE**  
MILLER-LAKE Inc.  
717-935-2335

**HOP BOTTOM\***  
LENOX FARM SUPPLY  
Kurt Kulick  
717-289-4349

**LEBANON**  
CEDAR CREST EQUIPMENT  
717-270-6600

**MECHANICSBURG**  
JOHN JONES  
717-766-8582

**MIFFLINTOWN**  
ZUG FARM & DAIRY EQUIPMENT  
717-463-2606

**ORANGEVILLE**  
FRANKLIN D. HESS FARM EQUIPMENT  
717-925-6939

**QUARRYVILLE**  
UNICORN FARM SERVICE  
James E. Landis  
717-786-4158

**SHIPPENSBURG**  
WITMER EQUIPMENT SERVICE  
717-532-6139

**SOMERSET**  
GROVE EQUIP. SALES  
Mark Knepper  
Cliff Lynn  
814-445-6306

**HAGERSTOWN, MD**  
TRI-STATE FARM AUTOMATION  
301-416-7340

**KENNEDYVILLE, MD**  
PINDER SERVICE CO.  
410-778-0799

**WESTMINSTER, MD\***  
C&G FARM AUTOMATION  
Carrol & George Gesell  
410-775-7300  
410-848-3622

**WHITEFORD, MD**  
ENFIELD EQUIP.  
410-838-0480

**POUND, WI**  
PATZ SALES, INC.  
414-897-2251

**DISTRICT MANAGERS**

Dennis Rohrbaugh  
717-530-5410  
Agri Bee Inc.  
James Bilski, Pres.  
814-696-9447



\* New Dealers