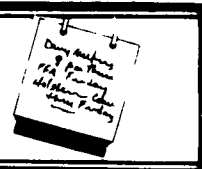


# Farm Calendar



(Continued from Page A10)

**Wednesday, October 21**  
Lancaster County 4-H Leaders banquet, Millersville U., Millersville, 6:30 p.m.  
ADA/DC District 8, Hidden Inn, South Kortright, N.Y., 8 p.m.  
**Thursday, October 22**

**Friday, October 23**  
Columbia County On-Farm Composting Field Days, Richard Yule's farm, Millville, 10 a.m.-2:30 p.m.  
Dairy Youth Management Workshop, Penn State's Dept. of Dairy and Animal Science, ASI Building, Penn State.  
Mid-Atlantic Division of Dairymen luncheon meeting, Ramada Inn (formerly Sheraton), Gettysburg, 12:30 p.m.

**Saturday, October 24**  
1992 Equine Expo and Trade Show, Northampton Community College, Bethlehem, 8:30 a.m.-4 p.m.  
Open House for high school

juniors and seniors and families, Penn State Department of Dairy and Animal Science, ASI Building, 10 a.m.-3 p.m.

**Sunday, October 25**  
Pa. State Rabbit Breeders Association board of directors meeting, Western Sizzlin Restaurant, Harrisburg, 2 p.m.

**Monday, October 26**  
Pennsylvania State Grange Session, Williamsport, thru Oct. 29.  
Barn Ventilation Workshop, Mowery's Sprucelawn Farm, Horntown, 10 a.m.

ADA/DC District 18, Embers Convention Center, Carlisle, 7:30 p.m.

**Tuesday, October 27**  
Lancaster County Poultry Association Annual Banquet, Willow Valley Palm Court, 6:30 p.m.  
4-H Program Council, Room 317, Willowbank Building.

Lancaster County FFA Agricultural Field Day, Manheim Farm Show Grounds, 9 a.m.-1:30 p.m.

ADA/DC District 11, Lansing Methodist Church, Lansing, N.Y., 7:30 p.m.

**Wednesday, October 28**  
Better Composting School, Ramada Inn, Hanover, Md.

**Thursday, October 29**  
State 4-H Horse Show through Oct. 31.

Lebanon County Holstein Association annual meeting, Schaeferstown Fire Hall, 7 p.m.

ADC District 10 annual meeting, New Midway Fire Hall, Woodsboro, Md., 7 p.m.

**Friday, October 30**  
ADA/DC District 2, Burville Congregational Church, Burville, N.Y., 7:45 p.m.

**Saturday, October 31**  
Halloween

Juniata County Grazing Field Day, farm of Edgar and Lorraine Rits, Honey Grove, 10 a.m.-3 p.m.

**Sunday, November 1**

**Monday, November 2**

**Tuesday, November 3**  
Election Day

**Wednesday, November 4**  
Northeast Lamb Pool, Wyalusing Sales Barn.

Westmoreland County Farm-City Night, Mountain View Inn, Greensburg, 7 p.m.

Fawn Grove Olde Tyme Days meeting, Fairgrounds, 7:30 p.m.

Lancaster County Conservation District annual meeting, Stockyard Inn, noon.

**Thursday, November 5**  
ADA/DC District 3, Chateaugay, N.Y., noon, or Nov. 10.

Lehigh County Cooperative Extension annual meeting, Animal Rights and You, Seipstown Grange, 7:30 p.m.

Erie County Cooperative Extension annual meeting, Edinboro Inn, 7 p.m.

**Friday, November 6**  
National Conference on Direct and Niche Marketing of Lamb and Wool, Turf Valley Hotel, Ellicott City, Md., through Nov. 7

ADA/DC District 13, Vernon Center United Methodist Church, Vernon Center, N.Y., 7:45 p.m.

**Saturday, November 7**  
North American International Livestock Exposition, Kentucky Fair and Exposition Center, Louisville, Ky.  
75th annual dinner, Carbon Coun-

ty Extension Association and 4-H Leaders Association, Luther Hall, Trinity Lutheran Church, Lehighton.

**Sunday, November 8**

**Monday, November 9**  
Northampton Co. DHIA/Holstein Association annual meeting and banquet, Stockertown Memorial Hall, 7 p.m.

**Tuesday, November 10**  
Small fruit advisory meeting, York County extension office, 7:30 p.m.

ADA/DC District 3, KFC, Chateaugay, N.Y., noon.

**Wednesday, November 11**  
Veterans' Day

1992 National FFA Convention, thru Nov. 14.

Northeast Greenhouse Seminar, Luzerne County Community College, Nanticoke, 9 a.m.-4 p.m.

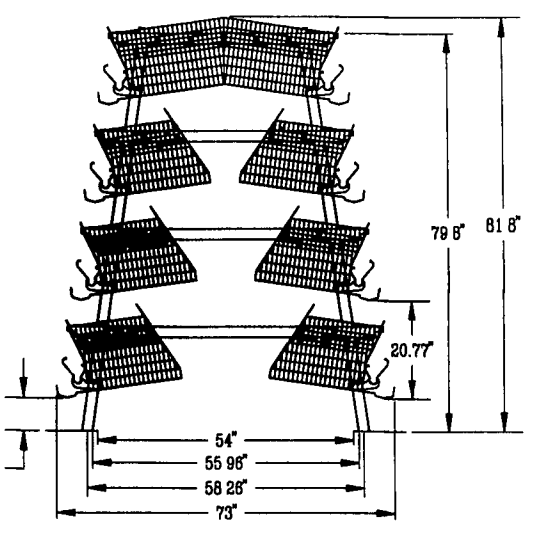
**Thursday, November 12**  
Franklin County On-Farm Composting Field Days, Clifford Hawbaker's Farm, Chambersburg, 11:30 a.m.-3:30 p.m.

**Friday, November 13**  
Pesticide test, Schuylkill County extension office, 9 a.m.-noon.

# THINKING OF REMODELING?

MUCH HAS CHANGED IN THE POULTRY INDUSTRY DURING THE LAST TEN YEARS

## ■ FOUR HIGH, 20" DEEP CAGE SYSTEMS



### FOUR HIGH DURATRIM

The same width as 3 high dropping board systems and 4 high reverse cage systems and **INCREASES CAPACITY BY 33%**

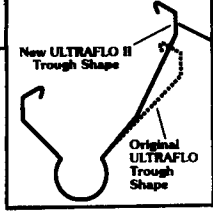


### ULTRAFLO™ FEEDING

Lower maintenance, better feed conversion and performance for layers, pullets and breeders.

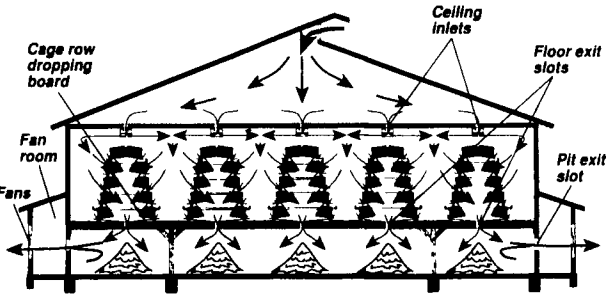


**New Shape**  
The difference is the shape of the feeder's trough (at right). ULTRAFLO II's higher trough lip reduces feed waste by keeping it in the trough and not on the floor or in the pit.



## VENTILATION

Negative Pressure House

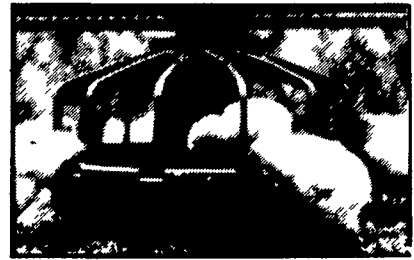


TURBO ventilation provides year round, even temperatures, end to end - side to side - tier to tier and at the same time dries manure to a dusty - fly resistant - product!



## H2 and C2 FEEDERS

Feeders for broilers and poults...Grilled or Grilled - The Feeders with Windows!



- ALSO:**
- Automatic nests for broiler breeders and commercial breeders
  - Nipple drinkers and cup drinkers for broilers and breeders
  - Electronic ventilation controls which are easy to install, easy to operate and pay back in fuel savings and productivity

Northeast Agri Systems is Pennsylvania's Authorized **CHORE-TIME** Master Distributor



# NORTHEAST AGRISYSTEMS, INC.

FLYWAY BUSINESS PARK  
139 A West Airport Rd.  
Lititz, PA 17543

717-569-2702  
TOLL FREE CUSTOMER SERVICE NUMBER:  
**1-800-673-2580**



STORE HOURS:  
Mon.-Fri. 7:30-4:30  
Sat. 8:00-Noon



**IF YOU ARE THINKING OF REMODELING OR FOR FREE ESTIMATES CALL OUR TOLL-FREE CUSTOMER SERVICE NUMBER: 1-800-673-2580**