

McKee corn hog, high moisture corn grinder, \$1,500 OBO. JD 328 baler, #40 thrower, electric controls, excellent condition, \$8,100. (215)536-6713 days, (215)538-0464 after 7pm

MF 1143, \$2,950; Gleaner A4-36, \$3,150; IH 843, \$3,650; JD 20' or 24' grain head, \$1,950. Larry Stalter, "The Combine Man". 1-800-248-2151

MF 165, gas, turf tires, PS, LPTO, \$2,400. 410-833-9091

MF 255 w/Triumph sickle mower, very good, radial rubber, ROPS, outlet, \$7,500 410-833-9091

MF 260 Forage Harvester w/2R corn, hay pickup & 2R Snapper head, all very good condition 814/445-2528 8-5

MF 2705, CAH, field ready, \$6,000 410-833-9091

MF 2745, 140hp, duals, only 1400 hrs, excellent condition. Asking \$15,500 (410)822-8189 evenings.

MF 2805 cab, air, heat, duals, 190 HP., 1986 hrs, good condition, \$10,500 will trade on smaller tractor, NH 56 rake, rubber teeth and dolly wheels \$785. 717-534-1253

MANURE SPREADER IH 530, field ready, \$750. 410-833-9091

Manure spreader, NI 14A, ground driven, good condition. (717)776-3879.



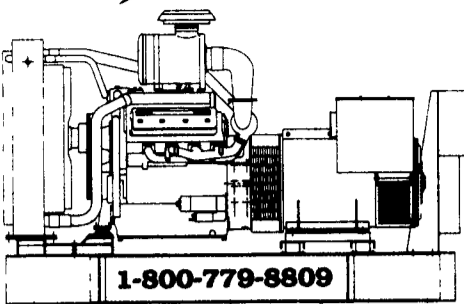
ATTENTION QUALITY MILK SHIPPERS

Clover Farms Dairy Co., Reading, Pa. is now looking for clean, good quality shippers to join our family of producers.

Please Call:
HAROLD WHITCRAFT
CLOVER FARMS
DAIRY CO.
(215) 921-9111

DYNA TECH

Dynamic Technologies



1-800-779-8809

GENERATOR SYSTEMS
5 to 2500 KW • PTO UNITS
SALES-SERVICE-RENTALS-INSTALLATIONS-
MAINTENANCE CONTROLS

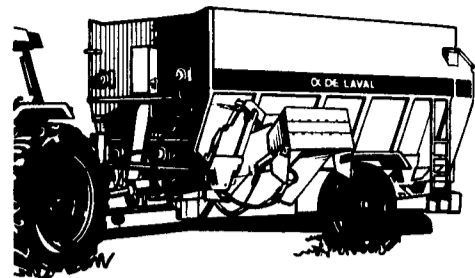
DISTRIBUTOR FOR:



PERKINS, MITSUBISHI, CUMMINS, DETROIT
AND LISTER DIESEL POWERED

DYNA-TECH INDUSTRIES
602 E. Evergreen Road
Lebanon, PA 17042-7925
717-274-8899 FAX 717-274-5334

Find out about the feeder that's causing quite a stir.



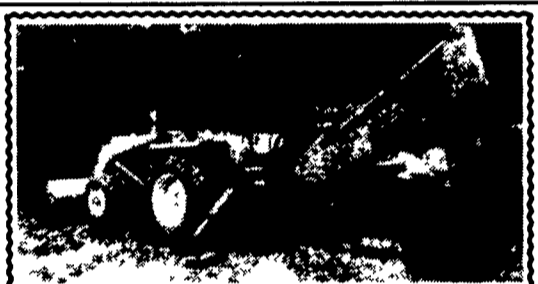
Save time and money while providing the balanced feed base your herd needs to keep each cow at her optimum production level. To find out more about the new line of De Laval TMR mixers, contact your independent De Laval dealer today.

DEMO UNIT
CALL FOR A SPECIAL DEAL
ONLY ONE IN STOCK
WITMER IMPLEMENT
SERVICE

Shippensburg, PA
1-800-377-3011
or 532-6139

Your Local Independent De Laval Dealer

DE LAVAL



INTERNATIONAL BACKHOE

Good tires, new brakes, etc.
Good working machine
\$7,000 OBO

Call 717-626-1997



EXCAVATOR FOR SALE

1974 CASE 880
Serial #6201031 5 Ft. Bucket & 30" Bucket
Tilt Bed - Ext. Under Carr. 75%
Boom Rebuilt 1992, New 4 Spool Valve Body
New Hydraulic Pump
Price \$13,500
410-778-2372



NEW IDEA KUBOTA

Nothing like it on earth.

NEW EQUIPMENT SPECIALS

Steiner 220 Diesel, \$2000 Off
Kuhn FC 300 GDR Disc Conditioner
Kubota M8580 4WD, Hyd. Shuttle, 80 HP w/Loader
Kubota L5450, 4WD, Hyd. Shuttle, 50 HP w/Loader
Kubota 2050, 4WD, 25 HP, Turf Tires..... \$7,900

NEW HESSTON EQUIPMENT

1340 12' Center Pivot Disc Conditioner..... \$15,200
1120 9' Windrower, Stub Guard..... \$7,350
530 Round Baler, 500 Lb..... \$6,800
540 Round Baler, 1000 Lb..... \$8,400

USED EQUIPMENT

Grasshopper 721, 60" Kubota Gas
Gravelly 50" Walk Behind
Kuhn FC 300 Disc Flail Conditioner
Kuhn GMD 77, 9', 3 Pt. Mower
Steiner 220, 60", 21 HP Mower
Oliver 548, 6X, 16", SAR Plow
Donahue Windrower Trailer
Goosen Stationary Bale Chopper
(2) NH 479 Haybine
Hesston PT7 Windrower

STOLTZFUS FARM SERVICE

Cochranville, PA 215-593-2407



NEW TRACTORS & EQUIPMENT

Case-IH 595, 2WD	Case-IH 600 Forage Blower (Real Nice) \$3,150
Case-IH 895, 2WD	Case-IH 5300 20x6 Drill
Case-IH 5220, 2WD	Case-IH 2250 Loader
Case-IH 5240, 4WD & cab	Case-IH 860 Hay Rake, Gr. Dr.
Case-IH 7120, MFD	Case-IH 900 6R Planter
Case-IH 4500, VS Field Cult.	Case-IH 560 Spreader
Case-IH 5710 Trail Chisel Plow	Case-IH 5700 Trail Chisel Plow
Case-IH 475 12' Disk Har.	Case-IH 600 Blower
Case-IH 6650 13'9" Conser-Til	Case-IH 1250 Grinder Mixer

USED TRACTORS & EQUIPMENT

IH 574 D w/Loader..... \$ 8,950	IH 710 5F 16" Plow w/Cyl..... \$ 1,350
Case 1190 (1983, 660 Hrs.)..... \$ 9,500	Case-IH 5100 20x6 Drill w/Grass & Soy. Whls. (Like New)..... \$ 5,650
IH 574 D, RC..... \$ 7,150	IH 1190 Mower/Cond. (Nice)..... \$ 5,350
Long 510S Crawler, Blade, w/ 3PT & PTO (750 Hrs.)..... \$ 7,800	Ont. 13x7 SD Drill..... \$ 650
IH W-4 Tractor..... \$ 1,850	Gehl FB99 Blower..... \$ 1,250
IH F-H Tractor..... \$ 950	Gehl 2R Wide-Narr. Snapper Head (600-700-800 Harv.)..... \$ 850
AC B Tractor w/Plow & Cult..... \$ 1,150	AC 600 4R Planter..... \$ 1,400
NI 270, 7' Cut/Cond..... \$ 1,250	Kools 56 Forage Blower..... \$ 650
Case IH 781 Harv. w/Hds..... \$10,000	
IH 35 Hay Rake..... \$ 1,250	

MIFFLINBURG FARM SUPPLY, INC.

Route 45 East, Mifflinburg, PA 17844
Phone: (717) 966-3114
Evenings - 717-524-2924 - Frank Saner



MANURE SPREADER NH 520, new w/top beater, \$3,500. 410-833-9091

MF QuickTach #44 Corn Head, excellent condition, 908/637-4439 Great Meadows, NJ.

Need tracks, 4WD, floater tires, or rice tires? Call Larry Stalter "The Combine Man" 1-800-248-2151

MF 300 combine, gas, cab, air, 18 4x26 tires, 2RW, 12' grain head w/grain saver, in good condition, asking \$2,500. After 8pm, (215)562-8959

MF Cornheads 63C 44 MF 18ft Finishing Harrow Good Condition 20ft SI Feeder Wagon New. (301) 845-8929.

MF OC-63 Cornhead, was on JD combine, good condition, \$950, 717/423-6719.

Model 729A NI sheller unit, w/3RN corn head, good condition, \$2,500 OBO New 12 ton tandem running gear, \$1,250 Farm tires of all sizes. Call for special prices, (315)539-2764.

Mounted Corn Picker MM, model H210; MM M-5 gas w/W & N front ends Both in excellent condition. Will separate. Ford 8000, full weights, dual power, good condition. 914/895-2104.

PLACE YOUR ORDER NOW FOR SPRING SPREADING!



3500 gal. Pres-Vac Tank Manure Spreader
3208 Cat Diesel Allison Automatic
Also Available With Dry Spreader



Stallion Chassis 4WD
3208 Cat Diesel Allison Automatic
\$29,900 \$24,500
301-928-3009



Cat 950 Art. Loader, Nice \$17,500



Fiat Allis 545B Art. Loader \$12,500



Ford A-62 Art. Loader w/ Bucket & Forks \$12,500



MF 11 Diesel Loader \$4,000



Hough H-30 Gas, 4500 Also
Hough H-100 Art. 4 Yd. Loader Cummins \$8,750



Ford 3550 Loader Tractor Diesel \$12,750



3-75 Int. 2070A 4x4 Dumps, 238 Detroit HP Mack 5+13 Spds. 5-12-12 10-20,000 miles, \$6,500 w/Plow & \$11,500 w/Plow & Wing \$1,500



13 Mack RD Dumps, 210 HP Mack 5+13 Spds. \$8,000 w/Plow & Spreader Add. \$1,500

PENN-HAZLE EQUIPMENT CO. INC.
Rt. 309, P.O. Box 162, Hazleton, PA 18201
(717) 455-5091 Anytime FAX (717) 455-1960