

**MAILBOX MARKET  
FOR SALE**

AKC Pomeranian puppies shots and wormed ready to go Sept. 9. Lancaster Co. (215)445-7321.

High moisture corn for sale this fall. Northampton Co. 215-863-4019.

3 yr. old miniature Jennet donkey chocolate 33" tall bred July 16 nice conformation \$2000. Cumberland Co 717-423-6620.

Dog house medium size insulated \$50. 10'x7' folding dorr \$60. 200' birch and walnut lumber. Berks County 215-777-4579.

2 truck bodies 8 1/2 x 7 steel 10 ton hoist 4 1/2 x 9 with mech. hoist both \$500. New Idea #10 C. husker. Lehigh County (215)262-6478.

NH S717 W-2RCH \$800. Gehl 99 blower \$750. York Shibley 35HP steam boiler W-new tubes & blow down & tanks. 814-944-0818.

10'x53' aermotor windmill excellent condition. Lanc. Co. Call 717-354-5554 after 6 p.m.

N.H. Flail chopper in very good condition \$450. Call 717-626-7665 Lanc. Co.

Mixed Border Collie pups shots and wormed very friendly \$20. Mother purebred Border Collie Lanc. Co. (717)859-2352.

1985 John Deere 310B backhoe loader A1 condition asking \$13,500. 609-769-1289 Woodstown, NJ.

6 year old standardbred trotter, family horse, traffic safe, sound \$1250. John R. Ebersole, 2687 Stumptown Rd., Bird-in-Hand, PA 17505.

Pair black swans \$300. 5 fainting goats \$900. Pair 2 year mite swans \$400. Can deliver to N.H. CT 203-564-2579.

AKC Yellow Labrador Retriever puppies. Ready now have shots and wormed. Parents on premises. Hips x-rayed. Berks Co. (717)933-5239.

3/4" weathered white pine boards 8" to 15" painted on one side red. Michael Stoltzfus, 595 Cambridge Rd.,

Nervon, PA 17555 Lanc. Co.

Ladidg 98 siliage unloader used all season without trouble. 717-626-0177 Lanc. County.

3000 lb. pressure washer with a 11 HP Honda on a 2 wheel cart exc. cond. almost new. Sol K. Beiler, 431 Furnace Rd., Quarryville, PA 17566.

8 ft. slide in refrigerated pickup truck body compressor bad box good will make nice storage shed \$400. 215-692-4191 Del. Co.

78 GMC tractor cummins 290BC 13 spd. jake brake rebuilt as 400 40' Great Dane trailer flat bed side kit good condition \$8500 OBO. Chester Co. 215-647-0448.

New Idea corn picker 324 wide row with 327 wide husking bed. Good shape. Juniata Co. 717-463-3277.

John Deere 1020 gas, power steering, live pto., new paint, new tires, nice wide front 37HP, lock dif make offer. 6 ft H.D. pt. rotary mower new \$750. Dauphin Co. 717-652-5412.

Tobacco lath for sale. 717-464-3136.

JD 35 harvester with one row head working condition \$550. Also haylage head for JD 35 \$325 call after 6 p.m. No Sunday calls. Lanc. Co. 215-445-9948.

Int. 6 bottom plow bale wagon 14 ft. MF disk 14 ft. Brady field cultivator Gehl 315 manure spreader. Call (717)355-9834 Lanc. County.

1984 XLT F150 4x4 good condition 4 speed overdrive. Call 215-539-4733 Montg Co.

Corn head 438 fits M or M2 Gleaner combine, field ready 2,500 good condition. York County 717-927-6066.

Percheron mare, black, 6 years, broke single, double, rides, excellent bloodlines, bred \$2000. 215-932-5056 Chester County.

John Deere 16A flail chopper, 4 bottom Oliver plow, Van Dale silage transfer cart. All shed kept. (410)398-3879 after 6 p.m. Cecil Co.

Massey Harris 44 with 2 row wide mounted corn picker field ready \$1200. J. F. Lewis 215-869-2369 Cochranville, PA Rd #2 19330.

7.5 K.W. Onan single phase natural gas generator 101 hrs., transfer switch excellent condition \$3000 Carroll Co MD 410-239-7110

John Deere 450 loader rebuilt motor less than one year old \$6500 302-239-5560 Newark, DE.

10 KW belt driven generator 115/230 AC single phase 1800 RPM Fairbanks Morse vgc (215)367-7210 after 12 noon. Boyertown Berks

3 fork lift tires good shape \$75. 8.25x15x12 ply. Potato or wood convey. Rubber belt good condition. Harold Roney, 403 Mount Olive Rd., Oxford, PA 19363

40" kitchen stove, 1/2 hp electric motors, snow skis Lancaster Co. Call after 5 p.m. 215-267-5099.

120 golden comet pullets ready to lay brown eggs

**Lancaster Farming, Saturday, September 5, 1992-B19**

\$3.70 each. 717-656-8137 Lanc. Co.

Hereford/Angus and pure Hereford beef calves. Heifers .80-.85¢ per lb. Steers 85-.90¢ per lb. Ford PV 1976 \$175. Berks Co. 215-683-8157.

Pygmy goats registered or unregistered bucks & does shots dehorned rabbits. New Zealand or Rex show breeding stock Lebanon County 717-469-2620

Snowmobiles JD 440, MF 290, both good Wanted 508 Trip Plow 302-378-9477 N C County

5 yr old saddlebred, traffic safe, ready for long trips Rufus Hoover, 117 Kurtz Rd., New Holland, PA 17557 Lanc. Co.

1984 Dodge Caravan SE, 7 passenger, no rust, beautiful interior, and excellent motor and transmission. Only \$3495 814-448-2541 Hunt. Co.

1976 Chevy van inspected runs great \$1800. Phone (717)939-1487 Dauphin Co.

18 very good storm windows with screen, like new doors some old, home cided making apple ginder Lanc Co 215-445-5046.

Romney wool carded and ready to spin From long fleeces with good crimp. Chester County (215)793-1131 evenings

Maytag square wringer washer, bushel and half bushel basket lids, large grain scoop on wheels used to unload railroad cars. Berks Co. 215-488-1268.

Sofas two large good condition \$100 each. (215)269-2439 or Ellis Brown III, 458 Dilworth Rd., Downingtown, PA 19335 Chester Co

Solid marble sheets, 6 ft long, 3 ft wide, 1 1/2 in thick, great for tables, bar tops, etc retail \$750, sel \$225 each. York Co (717)757-4440.

Flick sawmill \$1500 607-776-9380 Steuben Co NY

New Holland #8 silage wagon with roof \$900 Electric forklift Gravley 16 hp tractor Lanc Co 717-859-2797

15 x 18 foot wire corn crib complete with roof Good condition Call 717-665-4415 Lancaster County

Dump truck 1975 International 5+2, gas, 33000 GVWR air brakes, PS, 10', 60,000 miles, 4000 hours, some rust \$2300 717-652-8676

Kirby generation 3 vacuum cleaner Like new with all attachments Call 717-866-5555 daily Sat 9 to 3 Ask for Mr. Strobel

IH 2000 loader very good \$1000 Allis Chalmers 1300 disk field ready \$700 Good yellow barley straw Berks Co 215-683-6628

Furnace coal, wood, oil, large capacity, good condition \$1200 Lebanon Co Phone 717-273-6018 after 5 p m

New Idea 323 cornpicker good condition also pressure washer John Fisher 130 Furnace Rd., Quarryville, PA 17566

New rye grain 100 plus BU Also rye straw, 7 HP cub cadet lawn tractor moer Centre Co (814)364-9933

'86 Dodge van 13,000 mi, '88 Dodge Reliant 17,000 mi, Gorman Rupp 4" water pump powered by Duetz model F3L, John Deere's H, LA, 50 & 80's Franklin Co 717-423-6291

540 Papec silage blower (condition) like new Phone 301-334-1530 Oakland, MD

For sale or trade for young cattle 200 lg rnd bales wrapped mixed hay & 19 lg md wrapped bales rye straw Snyder Co 717-374-4018

IH field chopper, 2 chuck wagons blower with pipe, kept in good cond 410-452-5057 eves Har Co

**FARM OWNERS  
Great Rates  
CROP INSURANCE**

Can you afford another loss this year?

**INDEPENDENT ASSOCIATES OF PA., INC.**



*The One Stop Insurance Service Agency  
For All Your Farm Insurance Needs*

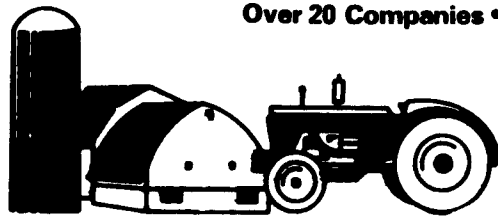
• Competitive Rates •

• Independent Agents Representing  
Over 20 Companies •

Auto

Fire

Liability



Life

Group

Health

Home

Workmen's  
Comp.

Life • Health • Farm Owners • Crop

Local Agents To Serve You Better

CONTACT THE ONE IN YOUR AREA TODAY  
OR CONTACT OUR CUSTOMER SERVICE NUMBER  
1-800-575-1974

Carlene Schaeffer  
Lancaster, Chester, Berks,  
York, Lebanon  
717-668-3386

Robert Beach  
Bedford, Fulton, Blair,  
Huntingdon  
814-766-2284

Price Real Est.  
& Insurance  
Crawford, Venango,  
Erie, Mercer  
814-794-1120

Paul Wicks  
Somerset  
814-443-2843

Frank Mitchell  
Mifflin, Centre, Juniata,  
Huntingdon  
717-248-2419

Keith Moyer  
Westmoreland  
412-688-2121

Merle Graves  
Potter, Tioga, McKean  
814-687-6567

Preston Joswiak  
Butler, Mercer, Armstrong,  
Beaver, Lawrence  
412-637-2627

Sidney Noakes  
Somerset  
814-445-4714

Gary Rhoades  
Clarion, Venango, Forest  
814-787-5883

Wilbur Miller  
Crawford  
814-724-2750

**Fit Feet Aren't Tired Feet**



Unlike horseshoes, close doesn't count in fitting workshoes! That's why this popular oxford comes in this wide range of sizes.

MADE IN USA

101

101 SIZES

|       |      |          |      |          |      |      |      |          |
|-------|------|----------|------|----------|------|------|------|----------|
| AAA   | AA   | A        | B    | C        | D    | E    | EE   | H        |
| 10 15 | 9 15 | 7 1/2-16 | 7 16 | 6 1/2 15 | 5 16 | 6 15 | 6 14 | 5 1/2 14 |

**4 1/2-16  
AAA-  
EEE**

**RED WING  
SHOES**



Call For  
**FREE  
Red Wing Catalog**

That's our answer to the man who says  
"I can't find a Pecos pull-on that fits"

1155

|       |      |      |      |      |          |      |      |      |
|-------|------|------|------|------|----------|------|------|------|
| AAA   | AA   | A    | B    | C    | D        | E    | EE   | EEE  |
| 10-14 | 9-15 | 8-15 | 7-16 | 7-14 | 4 1/2-16 | 6-15 | 6-14 | 7-14 |

HOURS: Daily 8:30 A.M. to 6 P.M.; Fri. 'til 8 P.M.



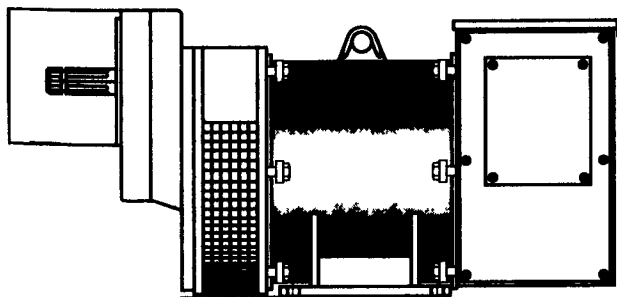
**Wayne's Dry Goods**  
271 W. Main St.  
Kutztown, Pa.  
Phone (215) 683-7686



**DYNA TECH<sup>®</sup> Ind.**  
Dynamic Technologies

**DYNA-TECH INDUSTRIES**  
602 E. EVERGREEN ROAD  
LEBANON, PA 17042-7925

**SERVICE OUR FIRST CONSIDERATION**



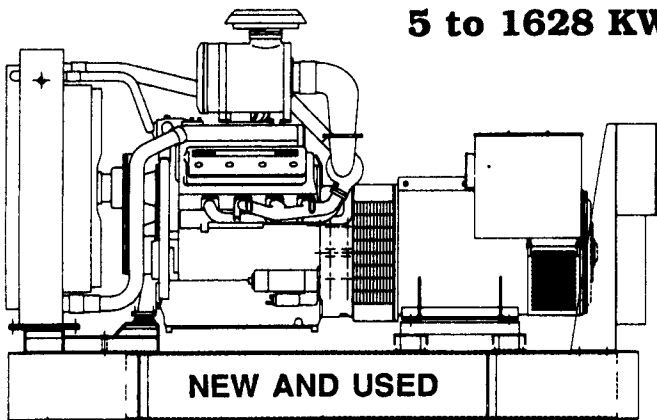
**10 TO 150 KW 1800 RPM BRUSHLESS  
TRACTOR DRIVEN GENERATORS**

DISTRIBUTOR  
FOR



**GENERATOR  
SYSTEMS**

**5 to 1628 KW**

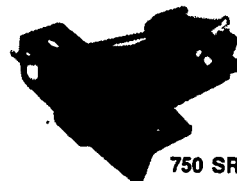


NEW AND USED

**SALES - SERVICE - RENTALS  
INSTALLATION**  
UPS, UBS AND SURGE PROTECTION

**800-779-8809  
717-274-8899  
FAX 717-274-5334**

**CUSHION  
Hitches**



750 SR

- ★ EZ Hookup Receiver Hitch
- ★ Will Accommodate 340-740 Cushion Or 2" Ball Mt.
- ★ Many Other Models
- ★ Cushioned Bumpers
- ★ Receiver Hitches
- ★ Ship UPS Daily
- ★ Free Catalog

**1 (800) 932-8373**  
**Weaver  
Distributing**  
RD #2 Box 470  
Fredericksburg, PA 17026