

Soybean Farmers Urge Action

ST. LOUIS, Mo. — The American Soybean Association called on U.S. Trade Ambassador Carla Hills to proceed immediately to implement retaliatory action against the European Community (EC) in a long-standing dispute over GATT-illegal EC oilseed subsidies.

The subsidies have twice been ruled in violation of GATT agreements that allow soybeans duty-free access to the EC market.

The Soybean Association's recommendations came after the

deadline had passed for negotiations required under GATT regulations. No satisfactory agreement was reached in the negotiation process.

"We do not make this recommendation lightly," said ASA President Steve Yoder, in a letter to Hills that was signed jointly by the American Soybean Association and several other oilseed organizations. "Unfortunately, EC unwillingness to make substantive reforms in its internal oilseed subsidy regime has left our industries

no other options."

Yoder noted that the U.S. has worked for nearly five years to achieve a satisfactory resolution of a 301 oilseeds case filed in 1987 by the U.S. government with the General Agreement on Tariffs and Trade.

"The lack of progress has now undermined confidence in the GATT enforcement system and adds more skepticism about the

benefits of a new GATT agreement," he said.

Yoder also warned that soybean farmers may be forced to actively oppose any effort to conclude a new GATT agreement based on the Dunkel draft text.

"The Dunkel draft text on agriculture being considered as the

basis for agreement in the Uruguay Round would legitimize and institutionalize the EC's current oilseed regime," said Yoder, adding that the decision to resolve the oilseed dispute and allow conclusion of successful GATT agreement rests entirely with the EC.



MILK. IT DOES A BODY GOOD.
MIDDLE ATLANTIC MILK MARKETING ASSOCIATION, INC.

Judge Names Winners At Va. Breeders Show

ST. JOSEPH, Mo. — Jack Ward, Roanoke, Indiana, judged the 127 cattle at the 31st Virginia Angus Breeders Show at Harrisonburg. Championships were awarded in heifer, bull, and cow/calf competitions.

In the 71-head heifer show, grand honors were presented to Jacs Luxura 0310, the senior champion. The September 1990 daughter of Leachman Tonto is owned by Hale O Farms Inc., Bland, and JAC's Ranch, Bentonville, Arkansas.

The reserve grand champion heifer was Circle G Monique 816 owned by Wynn Dalton, Altavista. The heifer first won the junior division and is a January 1991 daughter of Leachman Prompter.

In the bull show, the grand winner was Whitestone Tonto 0133, the senior champion. The September 1990 son of Leachman Tonto is owned by Whitestone Farm, Aldie, and Flying A Ranch, Lompoc, California.

Dinwiddie Exceller won the reserve grand champion bull banner after winning reserve honors in the senior division. The bull is an August 1990 son of Northcote Excitement and is owned by Dinwiddie Farm, Middleburg.

In the cow/calf pair category, the grand winner was Waldeck Hi Tibbie owned by Whitestone Farm and Hale O Farms Inc.

The reserve grand champion cow/calf pair was Hill Crest Edith Erica 7 and her February bull calf. The reserve pair was owned by Susan Rucker, Delaplane, Virginia; Yadkin River Angus Farm, Clemmons, North Carolina; and Goshen Farm, Paris, Kentucky.

A complete list of winners follows:

1992 VIRGINIA ANGUS BREEDERS SHOW HARRISONBURG, VIRGINIA

Total number shown: 127. Judge: Jack Ward, Roanoke, Indiana

Heifers 71 Shown
Junior Heifer Calf Champion: Thorncliff Katie 104, Exhibitor: Goldsborough Farm, Fork Union, VA

Reserve Junior Heifer Calf Champion: Tilmans Angela, Exhibitor: Edward Tilman, Powhatan, VA

Senior Heifer Calf Champion: Annes Sapphire Pearl 171, Exhibitor: Anne Jones, Forest, VA

Reserve Senior Heifer Calf Champion: Daltons Connie Lynn, Exhibitor: Wynn Dalton, Altavista, VA

Intermediate Champion Heifer: Krueger Belle Moneek, Exhibitor: Douglas Dalton, Altavista, VA

Reserve Intermediate Champion Heifer: Kruegers Bella, Exhibitor: Whitestone Farm, Aldie, VA

Junior Champion Heifer: Circle G Monique 816; Exhibitor: Wynn Dalton, Altavista, VA

Reserve Junior Champion Heifer: Kruegers Belle Domineer, Exhibitor: Judson Dalton, Altavista, VA

Senior Champion Female: Jacs Luxura 0310, Exhibitor: Hale O Farms Inc., Bland, VA, & JAC's Ranch, Bentonville, AR

Reserve Senior Champion Female: T P F Show Girl E71, Exhibitor: Jane Saunders, Richmond, VA

Grand Champion Female: Jacs Luxura 0310, Exhibitor: Hale O Farms Inc., Bland, VA, & JAC's Ranch, Bentonville, AR

Reserve Grand Champion Female: Circle G Monique 816, Exhibitor: Wynn Dalton, Altavista, VA

Bulls 41 Shown

Junior Bull Calf Champion: Whitestone Accuracy, Exhibitor: Whitestone Farm, Aldie, VA, Philip Trowbridge Jr., Ghent, NY, & Meng Farms Inc., Bowling Green, KY

Reserve Junior Bull Calf Champion: Tilmans Hammer, Exhibitor: Edward Tilman, Powhatan, VA

Senior Bull Calf Champion: Whitestone Essential, Exhibitor: Whitestone Farm, Aldie, VA

Reserve Senior Bull Calf Champion: Hale O Goliath, Exhibitor: Hale O Farms Inc., Bland, VA

Intermediate Champion Bull: F F Black Star 118, Exhibitor: Freeman Farm, Cumberland, VA, & Brian Fitzgerald, Kennett Square, PA

Reserve Intermediate Champion Bull: A F King of Spades 1136; Exhibitor: Morven Farms, Charlottesville, VA

Junior Champion Bull: R & J Majestic 1121, Exhibitor: Whitestone Farm, Aldie, VA; R & J Ranch, Briggs, TX, & 21st Century Genetics, Shawano, WI

Reserve Junior Bull: Mtn Valley Star Proff, Exhibitor: Daniel McIntire, White Post VA, Advent Hill Farm, Hartland, VT; & Rocky Forge Farm, Hagerstown, MD

Senior Champion Bull: Whitestone Tonto 0133; Exhibitor: Whitestone Farm, Aldie, VA, & Flying A Ranch, Lompoc, CA

Reserve Senior Champion Bull: Dinwiddie Exceller; Exhibitor: Dinwiddie Farm, Middleburg, VA

Grand Champion Bull: Whitestone Tonto

0133; Exhibitor: Whitestone Farm, Aldie, VA, & Flying A Ranch, Lompoc, CA

Reserve Grand Champion Bull: Dinwiddie Exceller, Exhibitor: Dinwiddie Farm, Middleburg, VA

Cow-Calf Pairs 15 Shown

Champion Bred-and-Owned Cow with Natural Calf: Hill Crest Queen Lydia; Exhibitor: Courtenay Rucker Cobbs, Delaplane, VA

Reserve Champion Bred-and-Owned Cow with Natural Calf: Hill Crest Edith Erica 7, Exhibitor: Goshen Farms, Paris, KY; Yadkin River Angus Farm, Clemmons, NC; & Susan Rucker, Delaplane, VA

Champion Bred-and-Owned Cow with Embryo Calf: Hill Crest Edith Erica 7, Exhibitor: Goshen Farm, Paris, KY, Yadkin River Angus Farm, Clemmons, NC, & Susan Rucker, Delaplane, VA

Champion Owned Cow with Natural Calf: Waldeck Hi Tibbie; Exhibitor: Whitestone Farm, Aldie, VA, & Hale O Farms Inc., Bland, VA

Reserve Champion Owned Cow with Natural Calf: Renatas Miss Liberty R601, Exhibitor: Darrell Bowman, Waynesboro, VA, & S & J Cattle Company, Staunton, VA

Champion Owned Cow with Embryo Calf: Renatas Miss Liberty R601; Exhibitor: Darrell Bowman, Waynesboro, Va, & S & J Cattle Company, Staunton, VA

Reserve Champion Owned Cow with Embryo Calf: Bipperts Aretha 0519; Exhibitor: Edward Tilman, Powhatan, VA

Grand Champion Cow-Calf Pair: Waldeck Hi Tibbie, Exhibitor: Whitestone Farm, Aldie, Va, & Hale O Farms Inc., Bland, VA

Reserve Grand Champion Cow-Calf Pair: Hill Crest Edith Erica 7; Exhibitor: Goshen Farm, Paris, KY; Yadkin River Angus Farm, Clemmons, NC; & Susan Rucker, Delaplane, VA

Group Classes

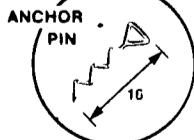
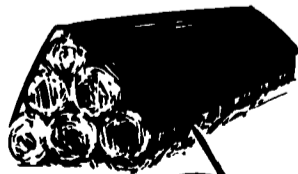
Best Six Head: Edward Tilman, Powhatan, VA



Heavy Duty Bale Covers

by INLAND PLASTICS LTD.

(Over 18 years experience supplying Hay Covers in Western Canada)



- 20'x48' (All purpose)
- 23'x48' (4'-4½' dia. Bales)
- 28'x48' (4½'-5½' dia. Bales)
- 33'x48' (5½'-6' dia. Bales)
- 25'x33' (4½'-6½' dia. Bales)

SPECIFICATIONS

- A. Heavy reinforced 6.1 oz./sq. yd. Canada made polyfabric. 200 lb. tensile strength. Beware of lighter fabrics.
- B. Rope is encased in hem and a heavy spur eyelet is set into 5 layers of fabric to give 435 lbs. pull per eyelet.
- C. Silver outside to reflect light, black inside to prevent greenhousing.

Tests Prove That Hay Covers Pay!

"...20% of Round Bales Saved Plus a Reduction of Nutrient Loss."

PHONE 1-800-387-7765

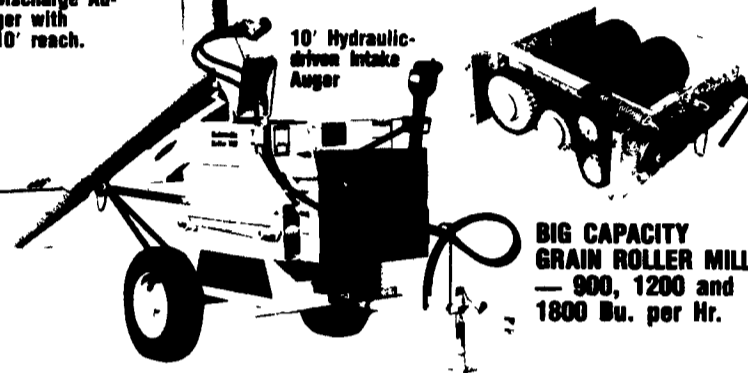
For your nearest dealer

Automatic



MORE CAPACITY WITH LESS HORSEPOWER!

11" Tipping Discharge Auger with 10' reach.



BIG CAPACITY GRAIN ROLLER MILL
— 900, 1200 and 1800 Bu. per Hr.

MODEL ATG-A

Built for big capacity delivery and heavy duty operation. One-fast-roll operation gives more capacity with less horsepower, provides self-cleaning action with wettest material. Also available with blower discharge on direct drive from roll shaft.

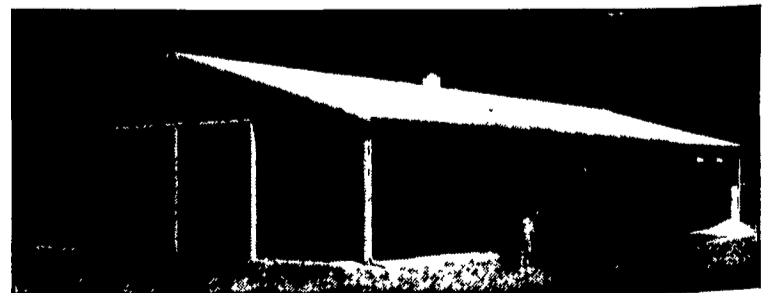
RYDER SUPPLY CO.

539 Falling Spring Road
P O Box 219
Chambersburg, PA 17201-0219
Phone 717-263-9111

MORTON BUILDINGS

Since 1903

- Horse Barns
- Riding Arenas
- Garages
- Warehouses
- Offices
- Shops
- Equipment Storage
- Aircraft Hangars



MORTON BUILDINGS, INC.

Excellence — Since 1903

CONTACT:

3368 York Rd.
Gettysburg,
PA 17325
717/624-3331

P.O. Box 126,
Phillipsburg,
NJ 08865
908/454-7900

Call or write today for more information

1-800-447-7436

Illinois only, call 1-800-426-6068