

Empire Farm Days Tradition Continues

STANLEY, N.Y. — As far back as 1933 there has been an agricultural show sponsored by the Empire State Potato Club Inc.

That one was hosted by New York state farmers and was committed to bringing farmers in the Northeast the newest techniques and equipment available to agriculture.

Since then, this annual event has undergone many changes including name, location and size but its sponsor and purpose have remained constant.

Today Empire Farm days has grown to be the largest outdoor, three-day show in the Northeast, with more than 400 exhibitors.

This year's show is scheduled for August 4, 5 & 6.

The event originated as Potato Field Days in 1933. In 1964 the show was called the Potato Field Day and Farm Materials Exhibition and was hosted by Humphreys Farm, Hartford.

In 1965, co-hosts were McCormick Farms and William Gozelski, Gainesville. In 1966, co-hosts were Russell Matthews and Monroe County Department of Parks, Menden.

In 1967 the show had grown to such a magnitude that another name change was required to reflect the scope of the event. Empire Farm Days was born.

Since then, a number of farms have hosted the annual event.

In 1967 Lucian Hills was host; 1968 co-hosts were Smith Coulter, Lincoln Knolls and Harold Rice, Canastota; 1969 Selden Farm, Greigsville; 1970 King Brothers, Lafayette; 1971 John P. Halpin & Sons, Avon; 1972-73 New York State College of Agriculture and Life Sciences at Cornell, Dryden; 1974-75 Neenan Brothers, Holcomb; 1976-77 John

P. Halpin & Sons, Seneca Castle; 1978-80 N. Palladino & Sons, Pompey; 1981-82 New York State College of Agriculture and Life Sciences at Cornell, Dryden; 1983-85 Brock Acres, Holcomb; 1986-87 N. Palladino & Sons, Pompey and 1988-Present Rodman Lott & Sons Farm, Seneca Falls.

Empire Farm Days is also very unique because it has a group of cooperators made up of organiza-

tions that have proven to be committed to the same goal of the Empire State Potato Club, Inc.

These cooperators include: American Agriculturist, NYS College of Agriculture and Life Sciences, New York Farm Equipment Dealers' Association, NYS Farm Equipment Club, New York State Electric and Gas Corporation, Rochester Gas and Electric Company and Cornell Cooperative Extension.

CCC Rate 4 1/4 %

WASHINGTON, D.C. — Commodity loans disbursed in July by the U.S. Department of Agriculture's Commodity Credit Corporation will carry a 4 1/4 percent interest rate, according to Keith

Bjerke, executive vice president of the CCC.

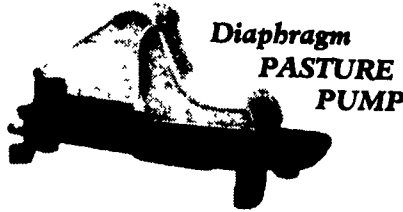
The 4 1/4 percent interest rate remains the same as June's 4 1/4 percent and this reflects the interest rate charged CCC by the U.S. Treasury in June.

RIFE
SINCE 1884

DISTRIBUTION

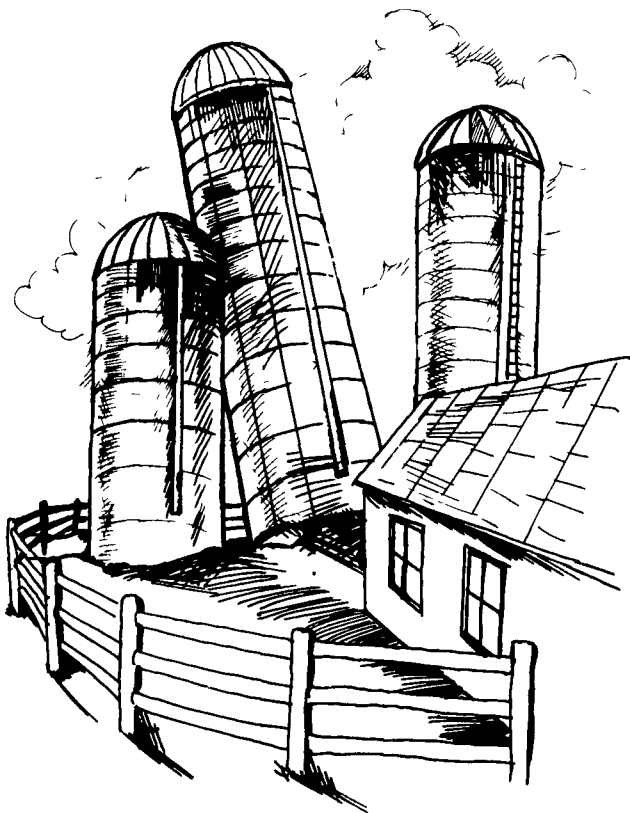
- No external power
- Avoids damage to stream banks and ditch edges
- Installed and moved easily
- Sturdy construction
- Safe operation
- One pump can satisfy approximately 30 cows

RIFE
P.O. Box 857LF
Montgomeryville, PA 18936
(215) 699-8870



See our ads for other Rife products in this issue.

**DON'T LET THIS HAPPEN
ON YOUR FARM...
RELINING YOUR SILO
WITH SHOTCRETE!**



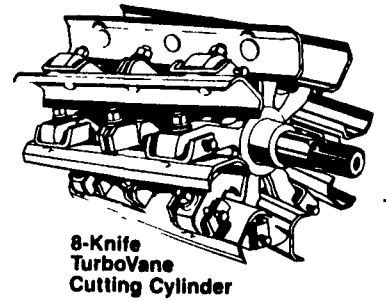
Contact: **MYRON STOLTZFUS**
717-768-3993
S & S Silo Repair
RD #2 Box 91A, Honey Brook, PA 19344
12 Years Experience In Relining Silos

Hesston harvesters give more forage on less fuel.



Three Hesston Models...the 7165, 7155 and 7145... offer increased harvesting capacity with the revolutionary 8-Knife TurboVane Cutting Cylinder. This exclusive Hesston design features eight C-2 knives that produce high capacity "scissor-action" cutting that eliminates bunching and carry-over...and gives more output on less fuel!

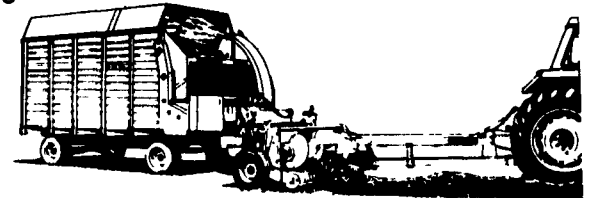
The C-2 knives have two cutting edges that can be reversed for longer service life. And the Auto-Sharp Knife Grinder, standard on the 7155 and 7165, sharpens quickly and easily...anytime and anywhere! It is a self-indexing grinder that sharpens knives with the cylinder running in normal cutting direction.



8-Knife TurboVane Cutting Cylinder

Straight-Thru Crop-Flo puts more horsepower and fuel into cutting and less into crop handling...eliminates cross augers or spinners that can drain power and waste fuel. And Hesston's new auger base header unit allows you to work more crops on a lower overall investment!

If you want to forage more on less fuel, see your Hesston dealer today about Models 7145, 7155 and 7165 ...for tractors from 60 to 250 HP!



See Your Dealer For Company Programs Now In Effect...

PENNSYLVANIA

HERNLEY'S FARM EQUIP. INC.
2095 S. Market St.
Elizabethtown, Pa.
717-367-8867

ICKES FARM SUPPLY
RR 1
Osterburg, Pa.
814-276-3422

LONGENECKER'S, INC.
RD 2
Williamsburg, Pa.
814-793-3731

STANLEY'S FARM SERVICE
RD 1, Box 46
Kilgerstown, Pa.
717-648-2088

STOLTZFUS FARM SERVICE, INC.
Rte. 10 & 41
Cochranville, Pa.
215-593-2407

STOUFFER BROS., INC.
1066 Lincoln Way West
Chambersburg, Pa.
717-263-8424

UMBERGER'S OF FONTANA, INC.
RD 4, Box 545
Lebanon, Pa.
717-867-2613

ZIMMERMAN'S FARM SERVICE
School Road, Rt. 1
Bethel, Pa.
717-933-4114



HESSTON
THE PRIME LINE

MARYLAND BAER'S GARAGE, INC.
13516 Marsh Pike
Hagerstown, MD
301-753-8226