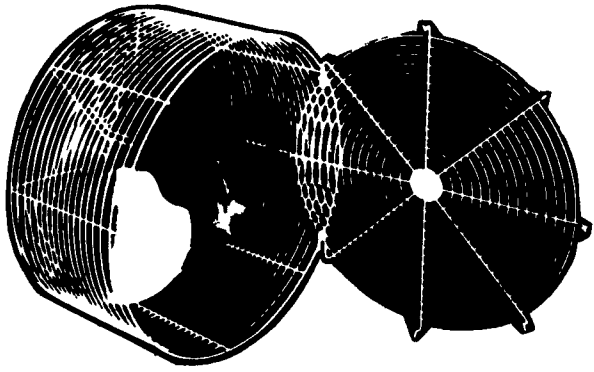


"BARNSTORMER"

NOW WITH NEW EXCLUSIVE SWING AWAY FRONT

THE NEW REVOLUTIONARY "BARNSTORMER" FAN PULLS OPEN FOR EASY ACCESS.



JUST SNAPS SHUT
(NO TOOLS REQUIRED).

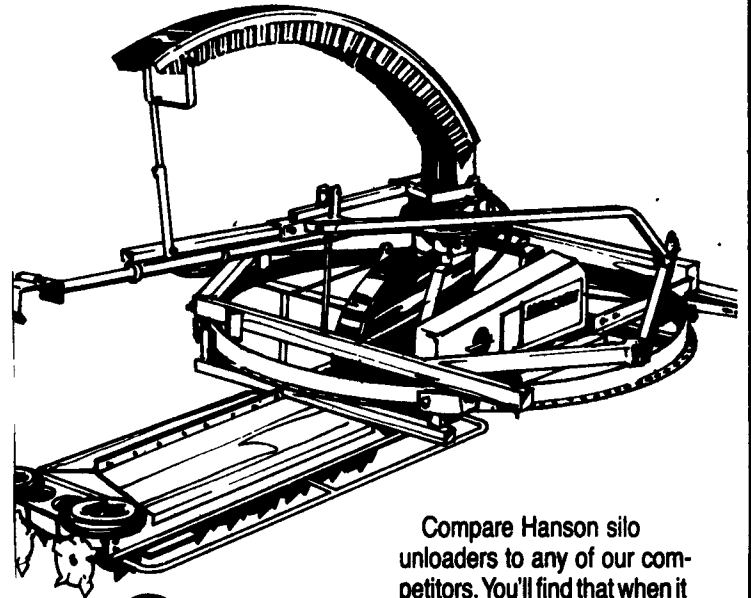
"NEW"
UP TO
11,200 CFM

12" • 20" • 24" • 36"

Custom Designed Ventilation
Systems For Your Barn...

CALL TODAY!

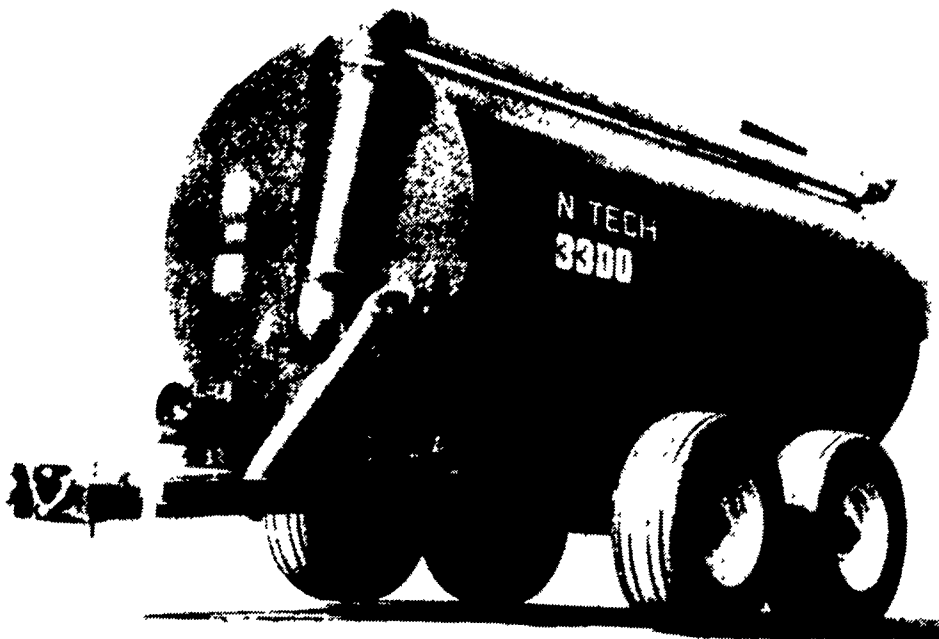
J&D
Manufacturing



Compare Hanson silo unloaders to any of our competitors. You'll find that when it comes to value, there's no competition. Hanson. There really *is* a difference.



N-TECH '90s SLURRY TANKER



Round Tank

Stronger than oval. Prevents excessive shift of center of gravity found in oval tanks.

Large Filler Hatch - 30 by 30 inch

Brakes with Cab Control

Provides braking forward and reverse, uphill and downhill. Visual brake monitor tells when brakes are off.

Top Spread Nozzle

30 to 40 foot spread pattern. Large droplet pattern minimizes "fog" and drift characteristic of slinger spreaders. Eliminates unseen accidental discharge inherent with bottom valve slinger type tanks.

Forward Slope Design

Maintains drawbar weight as tank is emptied.

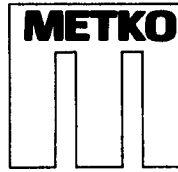
Front Mount Pump

Allows over top discharge.

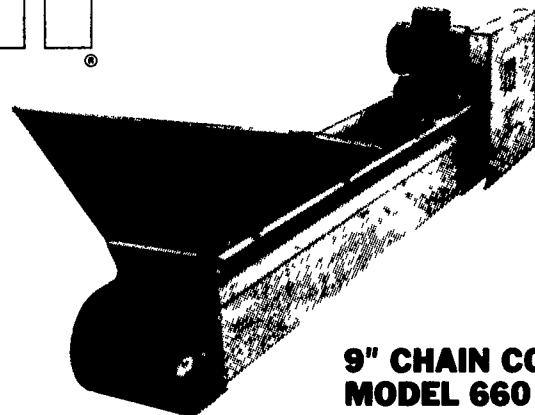
Adjustable Axle Setting

Allows adjustable weight on drawbar.

Now Available With 4" Spindles And Semi-Trailer Brakes!



CONVEYING — FEEDING
EQUIPMENT SPECIALISTS

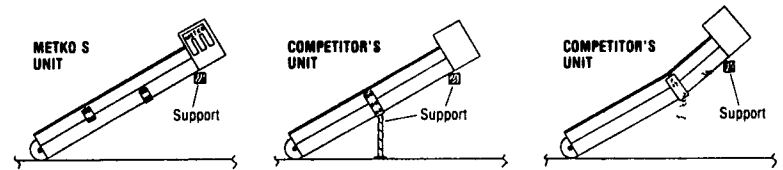


9" CHAIN CONVEYOR
MODEL 660

COMPARE THESE FEATURES:

- RIGID-LOCK SECTIONS
- MODULAR SECTIONS
- ONE PIECE TROUGH
- ALL ADJUSTMENTS IN HEAD
- FULLY GREASEABLE-HEAD/BASE
- DOUBLE HUB C.I. SPROCKET
- GALVANIZED SECTIONS
- #62 CONNECTING LINK
- SNAP-ON COVERS
- PATENT PENDING

METKO'S EXCLUSIVE FEATURE: RigidLock® SECTION . . .



. . . CLEAR SPAN UP TO 30 FEET WITH ONLY END SUPPORTS.

This exclusive feature has the versatility of modular sections yet maintains the strength of a completely welded unit.

4 COMPANIES PROVIDING YOU THE BEST PRODUCTS AVAILABLE!

THE

4ORCE

HANSON • J&D MANUFACTURING • METKO • N-TECH

DEALERS THROUGHOUT PA, VA, MD, W.V.
LOCAL WAREHOUSE # 301-223-5151

8 AM to 5 PM M-F

CALL FOR THE DEALER NEAREST YOU

or

CONTACT: KRIS KNUDSEN AREA MANAGER
717-653-0385 FAX 717-653-0243