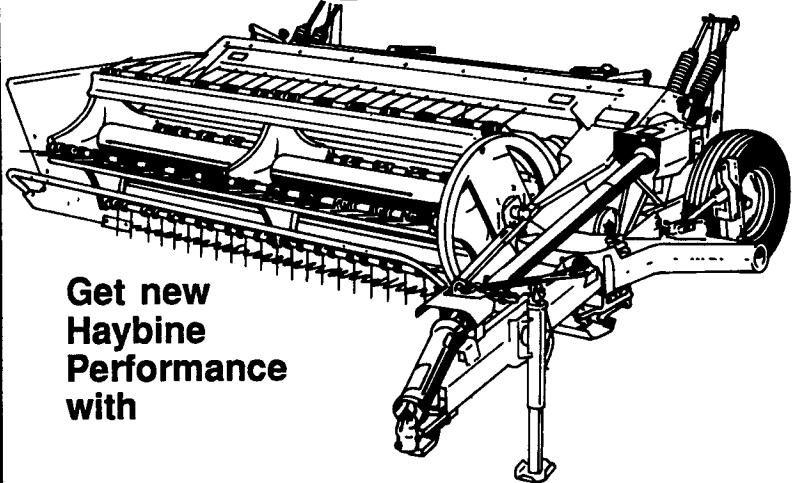


Extended To February 15th Due To Popular Demand



Get new
Haybine
Performance
with

The Ceresville Overhaul Kit

includes:

- New Factory Fresh Conditioning Rolls
- New Conditioning Roll Bearings
- New Bearing Collars
- New Guards
- New Knife with Bolted Sections
- New Hold Down Clips
- Genuine Ford NH Parts

Bring this ad in before February 15, 1992
and get these special cash prices.

Model 479 and
488 kit
Only

\$1449⁰⁰

Model 489 and
492 kit
Only

\$1379⁰⁰

Similar savings on other models.

Buy the kit by January 31, 1992 and qualify for a 10%
discount on service labor to have it installed.

CERESVILLE

FORD NEW HOLLAND

8102 Liberty Road, Frederick, Md

301/662-4197

800-331-9122

Ford
Credit



- 20x60 Fickes stave silo
w/unloader.....\$4,800
 - 20x60 Harvestore ('79) w/Gollath
unloader\$11,000
 - Butler Volume belt feeder
w/conveyor (center
loading).....\$1,400
 - 40 gal. hot water heater (electric)
ex. condition.....\$100
 - Patz barn cleaner unit ex. condition
drive unit.....\$450
 - 300 ft. Patz gutter chain,
3n yrs. old.....\$1,800
- Christian L. Beiler**
68 South Weavertown Road
Ronks, Pennsylvania 17572



1 Grove Yard Crane
Detroit Power, Needs Some Work
\$2,850

Fultz Bros., Inc.
Ellittsburg, Pa.
717-438-3354

Best Buys in Used Equipment

USED TRACTORS

IH 3388
IH 666

IH 584
Case DC

1990 Case IH 7110 Magnum Tractor,
2WD, 925 Hours

Case IH 7110, MFD w/320 Hrs.
w/4 Year Warranty

Case IH 7120 Magnum, 2 WD
w/890 Hrs.

USED EQUIPMENT

Brillion 12' 8 cultmulcher, like new
Price Reduced \$5,000

USED EQUIPMENT

IH 963 corn head
Dunham Lehr 12' cultmulcher, nice
Ford model 142, 4 btm. plow w/auto
reset

Wetmore grinder mixer, 130 bu.
IH 435 baler w/thrower

Woods model C80 rotary mower

IH 710 5 btm. plow w/hillside hitch

IH 720 5 btm. plow w/auto reset w/on
land hitch

Badger 2600 Harvester w/2 row corn
head w/2 row snapper head w/5'
hay pickup\$3,500

Eckroth Bros. Farm Equipment

RD 2 Box 24A, New Ringgold, PA 17960

717-943-2131

7:30-5:30 Mon.-Fri. 7:30-4:00 Sat.



JONES IMPLEMENT COMPANY

5449 CHATEAU ROAD,
EAST NEW MARKET, MD. 21631
1-410-228-0922
410-822-7126

THE SOURCE FOR LATE MODEL
JOHN DEERE TRACTORS
AND COMBINES

TRACTORS

5.9% FINANCING IN JANUARY

- Several 1991 JD 4955 MFWD,
Duals, Loaded.....\$66,000
- 1991 JD 4255 MFWD, Duals,
Loaded\$51,900
- (2) JD 8450, 4WD, Duals, PTO,
1 w/3 Pt. Hitch.....\$30,000
- JD 8640, 4WD, PTO, 3 Pt. Hitch,
30.5L-32 Singles\$26,500
- JD 4240, 1982 Model, Quad Range,
w/JD 158 Loader\$25,900
- JD 2155, w/Reverser, 380 Hours,
Like New.....\$11,500
- JD 4040, 4 Post, Quad Range.....\$15,500
- JD 970 4WD, 40 Hours.....\$11,900

COMBINES

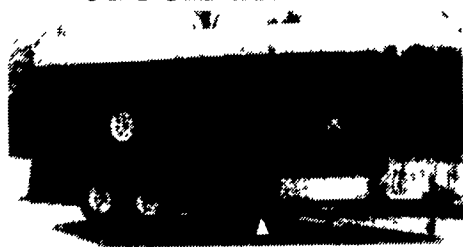
5.9% FINANCING IN JANUARY

- (2) 1991 JD 9600 Combines, 4WD,
Duals, 922 Flex
- (2) 1990 JD 9600 Combines, 4WD,
Duals, 922 Flex
- 1982 JD 7720 4WD, 220 Flex, Extra
Nice\$42,000
- 1986 MF 865, 4WD, 9120, 1183,
Very Nice, 1700 Hours.....\$50,000
- 1983 MF 860 4WD, 9120, 1183,
2300 Hours\$35,000

IMPLEMENTS

- (2) JD 7240 Planter, 8 Row, 20" And
15 Row 15", Excellent
- JD 7000, 8 Row Wide Front Fold,
Dry Fert. Sharp.....\$12,500
- JD 750 No-Til, Yetter Markers,
Excellent.....\$19,000
- JD 1010 Flat Fold 22' Field Cult.\$ 4,800
- York Pro Rake\$ 1,500

STOCK TRAILER



12' 5,000# 16' 7,000#
12' 7,000# 16' 12,000#

Also Available in 4'x8' and 5'x8'



UTILITY (TILT OR GATE MODEL) Sizes: 5'x8',
5'x10', 6'4"x10', 6'4"x12', 3500# GVW



UTILITY WITH GATE - SIZES: 12'x76", 14'x76",
16'x76" 18'x81", 7,000# GVW, 20'x81" 12,000#
GVW

Also Available in Car Haulers 14', 16', 18'x81" 7,000# GVW



FLAT BED: Sizes: 14'x76", 16'x76", 18'x81",
8,000# GVW, self storing 80" long ramps.

STARTING
AT
\$695.00



Car Dolly

International Farm Equipment

- 1 & 2 Bottom Plows
 - Discs 4' - 8'
 - Blades 5'-8'
 - Box Blades 4'-8'
 - Stone Rakes 5'-8'
 - Post Hole Diggers
 - 1 Row Cultivators
 - Dirt Scoops
 - Boom Poles
 - Rear Carriers
 - Chipper-Mulcher
 - Fertilizer Spreaders
 - Concrete Mixers
 - Field Cultivators
 - Potato Plows
 - Hay Rakes & Tedders
 - Rotary Mowers 3'-11'
 - 4'-7 1/2' Finish Mowers
 - Bale Carriers
 - Sickle Mowers
 - Rototillers
 - Log Splitters
 - Truck Beds - 7' to 12'
- Over 300 Trailers
In Stock
Starting At \$495.00
50 Different Models
T-Plates
DEALERS WANTED
Financing Available

HIGHWAY



5'x 8'- 3,500# \$2,250
6'x10'- 7,000# \$2,995
6'x10'-10,000# \$3,295

Hydraulic Dump

ALSO AVAILABLE IN DROP AXLE IN 12' TO 16'



CONSTRUCTION (LOW DECK) 16'x76",
18'x81", 20'x81" 8,000# or 12,000# GVW



GOOSENECK SIZES: 20'x8', 12,000# GVW,
24'x8' 18,000# GVW.

ALSO AVAILABLE IN 4, 6 & 9 TON



Dually Construction (Deck-Over)
Length: 20' or 24'; Width 8'; GVW: 20,000
or 24,000 Lbs. Electric or Air Brakes,
Oil Bath Axles

KUTZ FARM EQUIPMENT, INC.

Pine Grove, PA (717) 345-4882