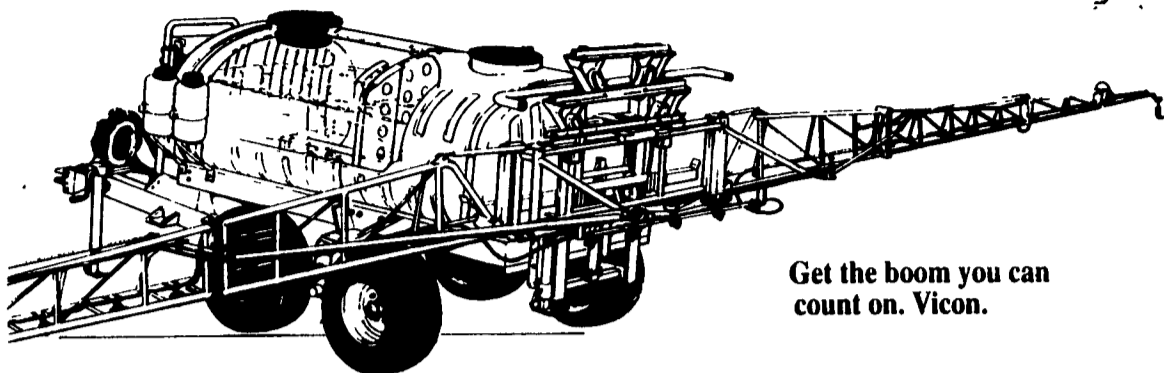


M.M. WEAVER & SONS, INC.

56th ANNIVERSARY SALE DAYS

January 2nd thru January 31, 1992

OPEN HOUSE on Friday, January 24, 1992



Get the boom you can count on. Vicon.



Performance you can afford to take home

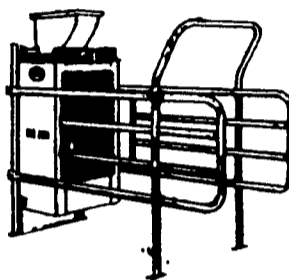
The price is right at **\$7,900**

LS1910T - 500 Gallon, Centrifugal Pump, 52' Hydr. Fold Boom, Electric Controls

NEW **Vicon** SPECIALS:

- 3 - CM 216 7' Disc Mowers **\$3,900 Ea.**
- 1 - H1050 9 Wheel Rake **\$2,900 Demo**
- 1 - KM321 10½' Disc Mower-Conditioner **\$9,900 1 Only**
- 1 - RP1211E 4x4 Round Baler w/Electronic Controls **\$7,900**
- 1 - RP1511E 5x6 Round Baler **\$10,800**
- 3 - RS510T 17' Tedder **\$2,900**
- 2 - RS 740T 24' Tedder **\$4,900**
- 1 - FC 2500 17' Field Cultivator **\$9,500**

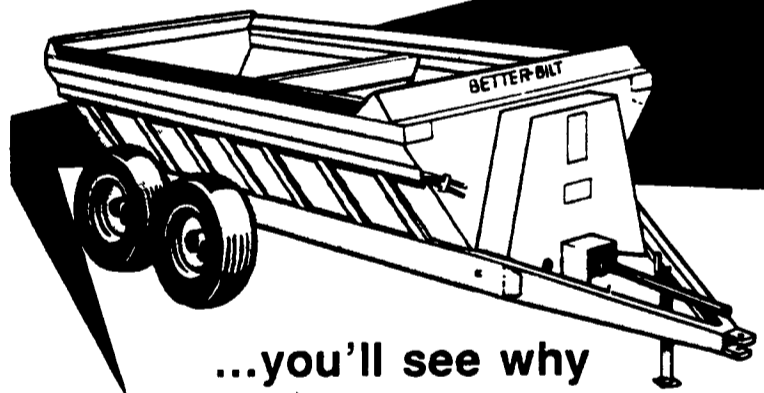
VA 500 COMPUTER DAIRY FEEDER!



Cows ration is fed automatically according to her individual lactation curve

- 25 Cow System **\$1,900**
- 50 Cow System **\$2,900**
- 75 Cow System **\$3,900**
- + Installation

✓ *Check the differences*



...you'll see why **Better-Bilt**

V-Box Spreaders are the better buy!

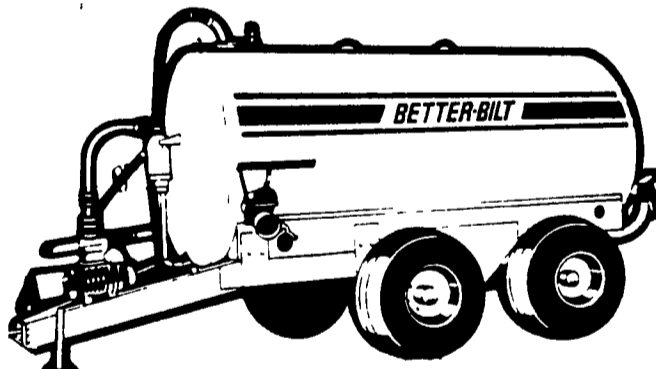
- ✓ Rear discharge keeps materials far away from tractor and operators.
- ✓ Inertia paddle spreader spreads wider, faster, more evenly.
- ✓ Hydraulic gate provides positive control of flow.
- ✓ 16" dual augers are fitted to bottom for complete emptying of load.
- ✓ Slower auger speed requires less horsepower, saves fuel.
- ✓ Simple, yet rugged design eliminates trouble and wear.
- ✓ Slip clutch protects drive components without shear pins.
- ✓ Sizes to 450 bu.
- ✓ It's Better-Bilt!

Check with us on the more affordable V-Box with a difference—from Better-Bilt.

SPREADS UP TO 70' WIDE!

BETTER-BILT

YOU WANT DEPENDABILITY



You want **BETTER-BILT!**

No one, but no one, builds a better vacuum tank than Better-Bilt. Quality ¼" steel, formed in our own plant. Precision manufacture by skilled craftsmen. That's why we can put a 10 year warranty* on tanks and a 5-year warranty on undercarriage and pumps.** That's why pork farmers like yourself prefer them!

Better-Bilt vacuum tanks...

- PB-10 pump 200 CFM Skids..... Full length
- Rear hatch 20" Sizes (std.), 1500 and 2500
- Intake, outlet valves..... Brass 3500 and 4500 gal

Other sizes and pumps available. * Pro-rated after 3 years. ** Excluding vanes

FEEDING & MANURE EQUIPMENT

- Betterbilt 2100 Gal. Vac Tank Spreader..... **\$4,500**
- SFM 1100 Gal. Slinger Spreader..... **\$4,900**
- SFM 1700 Gal. Slinger Spreader..... **\$6,900**
- NI 321 Spreader **\$700**
- Gehl 533 3300 Gal. Slurry Spreader..... **\$6,900**
- Schwartz Feeder Wagon..... **\$750**
- Oswalt - Butler TMR Transport Mixer..... **\$1,500**



M.M. WEAVER & SONS, INC.

Leola, PA 17540

Phone: (717) 656-2321

Located 4 miles West of New Holland on Rt. 23 1 mile Northeast of Leola on the No. Groffdale Rd. 1 mile on the right opposite Groffdale Mennonite Church