

### Estimated Daily Livestock Slaughter

Under Federal Inspection

December 4, 1991

	CATTLE	CALVES	HOGS	SHEEP
WED., 12/04/91 (EST)	113,000	6,000	355,000	23,000
WEEK AGO (EST)	126,000	6,000	356,000	22,000
YEAR AGO (ACT)	120,000	7,000	332,000	23,000
WEEK TO DATE (EST)	335,000	19,000	1,052,000	68,000
SAME PD LT WK (EST)	370,000	17,000	1,040,000	64,000
SAME PD LT YR (ACT)	335,000	21,000	910,000	64,000

### Central U.S. Carlot

#### Beef Report

December 4, 1991

Report supplied by USDA

CENTRAL U.S. CARLOT BEEF REPORT (INCLUDES THE MAJOR PRODUCTION AREAS IN THE MIDWEST AND TEXAS) AS OF 3 P.M. COMPARED TO TUESDAY'S 3 P.M. REPORT: BREAKING UTILITY AND CARCASSES 1.00-2.00 LOWER; BONING UTILITY STEADY TO 1.00 LOWER; CUTTER AND BULL CARCASSES NOT TESTED. DEMAND AND OFFERINGS LIGHT TO MODERATE.

#### COW & BULL CARCASSES

FOB OMAHA BASIS

13 LOADS REPORTED

UTBRK 2-4, 5 LOADS, RANGE

81.00-82.00, LATEST ESTB. MKT. 81.00-82.00.

UT,BNG 1-3, 400 AND UP, 8 LOADS, RANGE 84.00-85.00, LATEST ESTB. MKT. 84.00-85.00.

CUTTER 1-2 350 AND UP, LATEST ESTB. MKT. 93.50 A.

BULLS 500/UP YG1, LATEST ESTB. MKT. 101.00-103.00 A.

BONELESS PROCESSING BEEF/ BEEF TRIMMINGS

143 LOADS REPORTED

FRESH 90% BONELESS BEEF STEADY TO 2.00 HIGHER IN MIDWEST, BUT 1.00-2.00 LOWER IN TEXAS; OTHER TYPES NOT TESTED. DEMAND AND OFFERINGS MODERATE. BEEF TRIMMINGS LOWER ON MODERATE DEMAND AND OFFERINGS.

FOB OMAHA BASIS

90%FR, 18 LOADS, RANGE 132.5-135.0, WT. AVG. 134.14.

90%FZ, UNQUOTED.

85%FR, RANGE 125.0, WT. AVG. 125.00 E.

85%FZ, 75%FR, 75%FZ, UNQUOTED. 65%FR, RANGE 72.0, WT. AVG. 72.00 A.

65%FZ, UNQUOTED.

50%FR, 85 LOADS, RANGE 39.00-41.00, WT. AVG. 40.28.

50%FZ, 12 LOADS, RANGE 45.00, WT. AVG. 45.00.

50%BX, 2 LOADS, RANGE 42.50-43.00, WT. AVG. 42.57.

BULL 92-94, RANGE 146.0, WT. AVG. 146.00 A.

FOB E. TX AND OK

90%FR, 21 LOADS, RANGE 133.0-134.0, WT. AVG. 133.24.

90%FZ, 3 LOADS, RANGE 135.5, WT. AVG. 135.50.

85%FR, 85%FZ, UNQUOTED.

75%FR, 2 LOADS, RANGE 94.5.

75%FZ, 65%FR, 65%FZ, BULL 92-94, UNQUOTED.

CAF NORTHEAST AREAS

90%FR, RANGE 134.0, WT. AVG. 134.00 D.

90%FZ, UNQUOTED.

85%FR, RANGE 125.0, WT. AVG. 125.00 D.

85%FZ, 75%FR, 75%FZ, 65%FR AND 65%FZ UNQUOTED.

\*\*ABCDE AFTER QUOTES REPRESENTS DAYS SINCE LAST ACTUAL MARKET TEST. QUOTES ARE DROPPED AFTER 5 DAYS OF NOT TEST OR BEFORE IF THEY NO LONGER REFLECT CURRENT MARKET CONDITIONS.\*\*

### Grantsville Livestock

Grantsville, Maryland

Sat., November 30, 1991

HOGS: TOP BARROWS & GILTS 36.00-38.50; HEAVY BUTCHER 35.00-40.00; LIGHT BUTCHER 34.00-38.00; BUTCHER SOWS 30.00-35.00; FEEDER SHOATS 10.00-28.50.

VEAL: GOOD 85.00-125.00; STANDARD 70.00-80.00; UTILITY 50.00-60.00; BULL CALVES 105.00-162.50.

SHEEP & LAMBS: CHOICE A FEW TO 50.00; GOOD 41.00-42.00; UTILITY 38.00-40.00; SLAUGHTER BWES 12.00-18.00.

GOATS: 25.00-60.00. SLAUGHTER CATTLE: STBERS AND HBIFERS, NONE AVAIL.

COWS: COMMERCIAL 43.50-51.00; UTILITY 41.00-42.00; CANNER & CUT-TER 40.00 TO DOWN.

BULLS: COMM. & GOOD 54.00-59.00; CUTTER & UTILITY 48.00-50.00.

STOCK-FEEDER CATTLE: GOOD 70.00-75.00; MEDIUM 60.00-65.00.

STEER CALVES: GOOD 75.00-85.00; MEDIUM 65.00-70.00.

HEIFER CALVES: GOOD 65.00-75.00; MEDIUM 50.00-60.00.

EGGS: LARGE 65.00-80.00; MEDIUM 50.00-60.00.

### Valley Stockyards

Athens, Pa.

Monday, December 2, 1991

Report supplied by auction

HOLSTEIN HEIFER CALVES TO 160.00.

VEAL CALVES NO TOP VEALS. VEALER BULL CALVES 125.00-150.00, FEW TO 165.00.

SLAUGHTER CALVES 75.00 AND DOWN.

GRASSERS & FEEDERS 38.00-65.00.

LAMBS NEW CROP TO 120.00.

WOOLED LAMBS TO 49.00.

SHEEP 12.00-24.00.

HOGS 200-250 LBS. 38.00-44.00.

SOWS 24.00-28.00.

BOARS TO 23.00.

PIGS EACH 14.00-27.00.

HEIFERS 45.00-53.00.

MEDIUM STEERS 46.00-54.00.

FEEDER STEERS 52.00-78.00.

BULLS 46.00-60.25.

GOOD COWS 45.00-49.00, FEW 50.00-51.00.

COWS MEDIUM 40.00-45.00.

COWS POOR OR SMALL 40.00 AND DOWN.

CATTLE AND CALF MARKETS STEADY; EVERYTHING ABOUT STEADY WITH LAST WEEK.

GOATS TO 55.00.

## Red Poll Show

LOUISVILLE, Ky. — This year marks the 12th appearance of the Red Poll Show at the North American International Livestock Exposition.

Each exhibitor of Red Poll cattle is required to show it in its natural conformation and structure without alteration or modification.

Red Polls are divided into bull and female classes, and shown youngest to oldest. Each class is made up of no more than 12 head.

"Judges look for femininity and high gainability," said Mike Johnson of the American Red Poll Association and superintendent of the show.

"I raise Red Polls because they are easy to get along with and the milk is good. Red Polls were also my 4-H project some 37 years ago," said Gerald Glaub, one of the 106 competitors.

Red Poll, an English breed, has been used for generations on small farms for both milk and meat. However, they have been used only for meat since 1959.

"Red Polls have a very docile temperament because they are raised on small farms," said Johnson.

Red Polls are a special breed. They produce anywhere from 6,000-12,000 pounds of milk, which is 50 percent higher than the average beef breed.

In recent years, Red Polls have increased in numbers because of their appeal to businessmen and other part-time farmers. Red Polls have small birth weight and high weaning weight.

The investment in purebred Red Polls is considerably less than in other English breeds, and represents an opportunity for profit on the commercial level, according to Johnson.

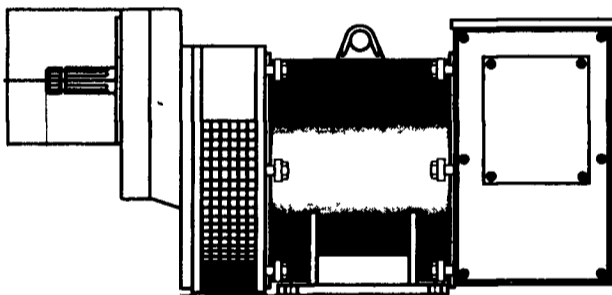
## DYNA-TECH<sup>®</sup> Ind.

Dynamic Technologies

### DYNA-TECH INDUSTRIES

602 E. EVERGREEN ROAD  
LEBANON, PA 17042-7925

### SERVICE OUR FIRST CONSIDERATION



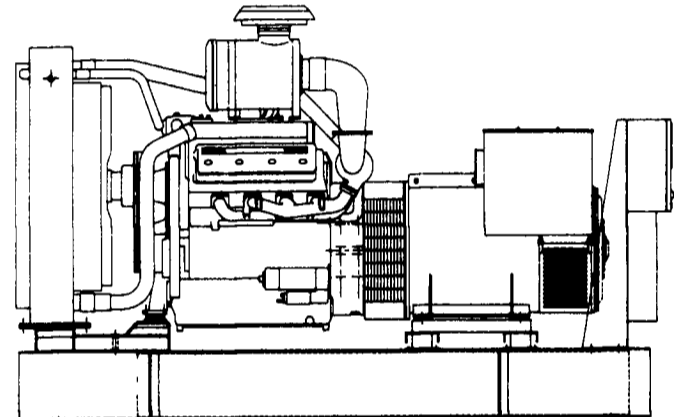
10 TO 60 KW  
TRACTOR DRIVEN GENERATORS

DISTRIBUTOR FOR



### GENERATOR SYSTEMS

5 to 1628 KW



SALES - SERVICE - RENTALS  
INSTALLATION

### 717-274-8899

FAX 717-274-5334

## This Christmas Put Tingley Boots Under Your Tree!

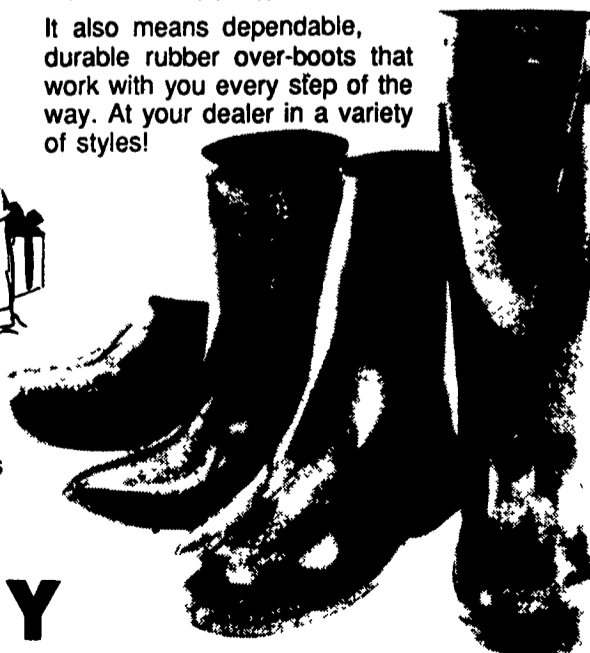


Put Tingley Boots Under Your Tree This Christmas!

## TINGLEY

Tough, yet so light-weight you'll forget you're wearing 'em. This means less work fatigue that can lead to farm accidents.

It also means dependable, durable rubber over-boots that work with you every step of the way. At your dealer in a variety of styles!



<p>POWL'S FEED SERVICE INC. Lancaster Pike Peach Bottom, PA 717-548-2376</p>	<p>ZIMMERMAN'S FARM SERVICE Bethel, PA 717-933-4114</p>			
<p>GOOD'S STORE, INC. RD #2 East Earl, PA 717-354-4026</p>	<p>WEAVER'S STORE, INC. 1011 Dry Tavern Rd. Denver, PA 215-445-6791</p>			
<p>BOMBERGER'S STORE Elm, PA 717-664-4660</p>	<p>PIKEVILLE EQUIPMENT, INC. R.D. #2 Oley, PA 215-987-6277</p>			
<p>KEY AID DISTRIBUTORS, INC. 1739 W. Main St. Ephrata, PA 717-738-4241</p>	<p>SHARTLESVILLE FARM SERVICE RD 1, Hamburg, PA 215-488-1025</p>			
<p>GEHMAN FEED MILL, INC. 44 N. 3rd St. Denver, PA 215-267-5595</p>	<p>MARTIN HARDWARE &amp; EQUIPMENT CO. Rt. 501 S. of Schaefferstown, PA 717-849-6617</p>	<p>NORMAN D. CLARK &amp; SON Rt. 75 Honey Grove, PA 717-734-3682 &amp; Loyaville (717) 769-3117</p>	<p>HUBER'S ANIMAL HEALTH SUPPLIES 810 Tulpehocken Rd. Myerstown 717-866-2246</p>	<p>UMBERGER'S OF FONTANA Rt. 322 at Fontana 717-867-5161</p>