

**Some markets
not available due
to the holiday**

**Morrison Cove
Livestock**

Martinsburg, Pa.
September 2, 1991

Report supplied by auction

CATTLE: 181. STEERS H. CHOICE & PRIME 69.50-70.50; CHOICE 66.00-68.50; GOOD 65.00-65.75; STANDARD 60.00-64.75.
HEIFERS: CHOICE 65.50-67.50; GOOD 60.50-64.75.
COWS: UTILITY AND COMMERCIAL 50.50-55.25, CUTTERS 50.00-53.50, CANNER AND LOW CUTTER 35.00-49.50.
BULLOCKS: GOOD AND CHOICE 61.00-62.50.
BULLS: YG#1 57.00-65.50.
FEEDER CATTLE: STEERS 75.00-88.00, BULLS 62.00-83.00, HEIFERS 62.00-79.00.
CALVES: 267. PRIME 98.00-100.50; CHOICE 93.00-97.50; GOOD 86.00-92.00; STANDARD AND GOOD 78.00-86.00; 90-110 LBS. 81.00-87.00, 65-90 LBS. 68.00-81.00, HOLSTEIN BULLS 90-130 LBS. 155.00-185.00, HOLSTEIN HEIFERS 90-130 LBS. 145.00-170.00.
HOGS: 132. US#1-2 47.00-49.50, US#1-3 45.50-46.75.
SOWS: US#1-3 37.50-41.00.
BOARS: 33.00-36.00.
FEEDER PIGS: 27. US#1-3 20-35 LBS. 21.00-28.00 PER HD.; 1-3 35-50 LBS. 26.00-33.00.
SHEEP: 29. CHOICE 47.00-51.50; GOOD 44.00-49.00; SLAUGHTER EWES 12.00-21.00.
GOATS: 23.00-51.00.
23 LOADS HAY. ALFALFA 112.00-150.00; TIMOTHY 94.00-107.50; STRAW 81.00.

Leesport Livestock

Leesport, PA
Sept. 4, 1991

CATTLE 248...PDA... Supply included 25 feeder cattle and 99 fat steers and heifers... Compared to last Wednesday's market: Slaughter steers steady to .50 lower; Cows uneven, about steady. Choice 1100/1400 lbs. sl. steers 64.75-67.75, one 70.60, few Select 63.00-66.00; Choice Holsteins 61.25-63.50, couple 64.00, Select 59.00-61.00. Few Choice sl. heifers 61.50-66.25, few Select 58.00-63.25, few Standard 52.00-59.00. Breaking Utility and Commercial sl. cows 50.00-52.75, couple 55.75, Cutter & Boning Utility 48.50-53.00, couple 54.00, Canner & low Cutter 44.00-48.50, Shells down to 41.00. Few Choice sl. bullocks 66.00-69.00, few Select 62.00-64.50. Yield Grade No. 1, 1100/2250 lbs. sl. bulls 62.25-65.50. Feeder Cattle: Few Medium Frame No. 1-2, 300/650 lbs. heifers 60.00-75.00.
CALVES 193...Standard and Good 75/95 lbs. vealers 78.00-90.00, Utility 50/80 lbs. 60.00-75.00, few down to 40.00. Farm Calves: No. 1, Holstein Bulls 95/125 lbs. 140.00-181.00, 80/90 lbs. 90.00-130.00, No. 2, 90/120 lbs. 85.00-125.00; No. 1, Hol. Heifers 100/125 lbs. 155.00-198.00, few No. 2, 80/90 lbs. 85.00-100.00. Few Beef Cross 75/100 lbs. bulls and heifers 125.00-160.00.
HOGS 328...Barrows and gilts: 3.00 to 4.50 lower. US No. 1-2 225/245 lbs. barrows and gilts 44.50-45.75, 1-3 220/250 lbs. 42.00-44.00, few lots 2-3 260-285 lbs. 41.00-41.85, 1-3 205/220 lbs. 37.00-40.00.
SOWS: US No. 1-3 300/540 lbs. sows 36.25-39.25, few Medium 350/450 lbs. 35.50-37.00. Boars 31.50-35.00.
FEEDER PIGS 284...Lot US No. 1-3 20 lbs. feeder pigs 162.50, 22/27 lbs. 84.00-110.00, 35/65 lbs. 71.00-91.00, lot 95 lbs. 56.00 --- per hundredweight; (1-3 10/18 lbs. 10.00-20.00 - per head).
SHEEP 100...Good and Choice 45/125 lbs. spring sl. lambs 45.00-55.00, couple 58.00. Slaughter sheep 14.00-24.00. - all Cwt.
GOATS 11...One Large 86.00, Medium 30.00-48.00 --- all per head.

Valley Stockyards

Athens, Pa.

Monday, September 2, 1991
Report supplied by auction

HOLSTEIN HEIFER CALVES TO 197.50.
VEAL CALVES TO 90.00.
VEALER BULL CALVES TO 197.50.
SLAUGHTER CALVES 80.00 AND DOWN.
GRASSERS & FEEDERS 60.00-95.00, TOP 115.00.
LAMBS MOSTLY 42.00-58.00.
SHEEP 12.00-21.00.
HOGS 200-250 LBS. 48.00-51.00.
SOWS 35.00-42.00.
BOARS 30.00-35.00.
PIGS EACH 15.00-33.00.
HEIFERS 52.00-63.00.
MEDIUM STEERS TO 69.00.
FEEDER STEERS 60.00-82.00.
BULLS 48.00-65.25.
GOOD COWS 48.00-50.00.
COWS MEDIUM 44.00-47.00.
COWS POOR OR SMALL 40.00 AND DOWN.
HORSES 510.00-560.00.
PONIES 135.00-170.00.
GOATS TO 80.00.
CATTLE MARKET MOSTLY STEADY; CALF MARKET STEADY; REAL GOOD SALE.

**Oklahoma City
Feeder Cattle**

Sept. 4, 1991

COMPARED TO LAST WEEK: FEEDER STEERS, STEER CALVES, AND HEIFER CALVES STEADY TO \$2.00 LOWER. HEIFERS OVER 500 LB. \$2.00-\$3.00 LOWER. DEMAND LIGHT FOR HEIFERS, MODERATE FOR OTHER CLASSES. RECEIPTS GREATLY REDUCED DUE TO HEAVY RAINFALL OVER THE WEEKEND AND LABOR DAY HOLIDAY MONDAY. MOST AREAS OF THE STATE RECEIVED 3 TO 6 INCHES OF RAIN IN A FIVE DAY PERIOD. ADEQUATE TEST ON STEERS OVER 700 LB., OTHER CLASSES LIGHTLY TESTED. QUALITY PLAIN TO AVERAGE, FEW

ATTRACTIVE. WEIGH-UPS AVERAGE TO FULL AND EQUIVALENT TO LAST WEEK. SLAUGHTER COWS \$5.50-\$1.00 HIGHER. SLAUGHTER BULLS \$1.00-\$2.00 HIGHER. COW AND BULL DEMAND GOOD. RECEIPTS THIS HOLIDAY SHORTENED WEEK 2,730 HEAD; LAST WEEK 10,853; SAME WEEK ONE YEAR AGO 4,541. RUN INCLUDED 66% YEARLINGS; 26% CALVES AND STOCKERS UNDER 600 LB.; 8% COWS AND BULLS. BULK PRICE RANGES FOLLOW:
FEEDER STEERS: MEDIUM & LARGE FRAME 1, 300 LB. \$116.00; 400-450 LB. \$98.00-\$104.00; 450-525 LB. \$96.50-\$100.50; 550-600 LB. \$89.00-\$94.75; 600-700 LB. \$86.00-\$92.25; 700-800 LB. \$84.00-\$87.50; 800-850 LB. \$83.00-\$85.50; 850-900 LB. \$80.00-\$83.00; 900-950 LB. \$79.50-\$79.75. LARGE FRAME 2 HOLSTEINS, 550-575 LB. \$78.25-\$78.50.
PRICE RANGES LIGHTLY TESTED ON BOTH STEERS AND HEIFERS EXCEPT FOR STEERS OVER 700 LB.
FEEDER HEIFERS: MEDIUM & LARGE FRAME 1, 400-450 LB. \$91.75-\$97.50; 450-525 LB. \$87.00-\$92.25; 550-600 LB. \$84.25-\$86.75; 625-700 LB. \$80.50-\$82.75; FEW 750-825 LB. \$76.00-\$79.25.
SLAUGHTER COWS: CUTTER & BONING UTILITY Y.G. 1-2, AVERAGE DRESSING \$48.75-\$52.75; HIGH DRESSING \$52.50-\$56.50; LOW DRESSING \$47.50-\$49.50. BREAKING UTILITY Y.G. 3-4, HIGH DRESSING FEW \$50.50-\$55.00; LOW DRESSING FEW \$45.00-\$47.50. CANNER AND LOW CUTTER MOSTLY \$44.50-\$46.75.
SLAUGHTER BULLS: Y.G. 1 1300-1850 LB. AVERAGE DRESSING \$63.75-\$67.50; HIGH DRESSING \$66.50-\$71.50.

sl. heifers 61.25-62.00. Breaking Utility and Commercial slaughter cows 49.25-52.75, Cutter and Boning Utility 46.00-50.35, Canner and low Cutter 41.50-45.85, Shells down to 38.00. Yield Grade No. 1, slaughter bulls 59.85-60.00, one No. 2, 54.50.
CALVES 155...Standard and Good vealers 60.00-84.00, Utility 50.00-54.00. FARM CALVES: No. 1, Holstein bulls 90/110 lbs. 130.00-187.50, No. 2, 100.00-135.00.
HOGS 178...Barrows and gilts: US 1-2 215/245 lbs. barrows and gilts 44.75-45.75, 1-3 200/270 lbs. 41.10-43.35. US No. 1-3 sows 35.00-39.00, No. 2-3 29.50-34.00. Boars 22.00-33.50.
FEEDER PIGS 341...US 1-3 feeder pigs 12.50-36.00 --- all per head.
SHEEP 41...Choice spring slaughter lambs 40.00-62.00. Slaughter sheep 10.00-14.00 - all Cwt.
GOATS 26... 20.00-43.00. --- all per head.
HOLSTEIN DAIRY COWS - \$510.00-1350.00 --- PER HEAD.

New Holland Horses

New Holland Sales Stable

New Holland, PA

Monday, September 2, 1991

REPORT SUPPLIED BY AUCTION
376 HEAD; MARKET STEADY ON ALL KINDS OF HORSES; PONIES SLOW.
LOCAL RIDING HORSES 400.00-850.00.
FEW BETTER RIDERS 810.00-1150.00.
LOCAL DRIVING HORSES 450.00-860.00.
COUPLE DRIVERS 900.00-1100.00.
FEW BETTER WORK HORSES 900.00-1125.00, 1 SMALL PAIR 1600.00.
SMALL PONIES 50.00-200.00.
LARGER PONIES 250.00-400.00.
PONY COLTS 60.00-125.00.
HORSE COLTS 125.00-250.00.
HEAVYWEIGHT KILLERS 550.00-760.00.
LIGHTWEIGHT KILLERS 350.00-500.00.
SEVERAL THIN HORSES 200.00-325.00.

Belleville Livestock

Belleville, PA

Sept. 4, 1991

CATTLE 123... REPORT IS SUPPLIED BY THE AUCTION... Compared with last Wednesday's market: Standard Holstein steers 55.25-57.50. Few Choice

A. & C. DIFFENBACH
AUCTION INC.

1991

100 W. JACKSON ST., BOX 186
NEW HOLLAND, PA 17557

HAY SALE EVERY MONDAY - 10:00 A.M.

Wednesday Hay Sale Discontinued Until Fall.

Flea Market Spaces Available Every Monday Next To Hay Sale.

TUES., SEPT. 17	9:00 A.M.	QUILT, CRAFT & BUGGY AUCTION-BUGGIES 1 P.M.
WED., SEPT. 18	9:00 A.M.	QUILT, CRAFT AUCTION
FRI., SEPT. 27	9:00 A.M.	FARM EQUIPMENT AUCTION
TUES., OCT. 1	6:00 P.M.	WHOLESALE WOOD FURN. & CRAFT ITEMS AUCTION
WED., OCT. 9	6:30 P.M.	GUNS & WINROSS TRUCK AUCTION
TUES., OCT. 15	10:00 A.M.	HARVEST EQUIPMENT AUCTION (NO SMALL ITEMS)
FRI., NOV. 1	9:00 A.M.	FARM EQUIPMENT AUCTION

PHONE (717) 355-7253-OFFICE (717) 354-3297 HOME
FAX #355-9547

ALAN DIFFENBACH AUCT. - AU2258-L

WHEAT
New Excel
Tyler-Agri 876-Coker 916
Cardinal - Twain - Dynasty
Early Agri 863 Bearded
SEEDS WILL COME FROM VARIOUS STATES

**SMALL
GRAINS**
Wysor - Sussex
Pennco

**TIMOTHY, TORO and
CLIMAX TIMOTHY**

ALFALFA
84 VWAP VERNAL
Weifoot Erie

**BALER TWINE | FERTILIZER | DANCO RYE
& OTHER RYES**

WHOLESALE & RETAIL

BOYDELL FARMS

302 Iona Rd., Lebanon, PA 17042

Phone: 717-272-8943

C B HOOBER & SON, INC
Intercourse, PA
(717) 768-8231

HOOBER

HOOBER EQUIPMENT, INC
Middletown, DE
(302) 378-9555

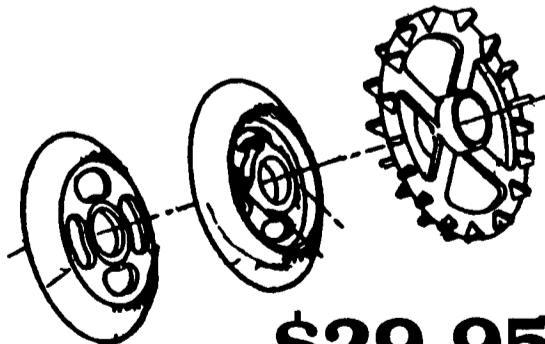
TWO LOCATIONS

The Saving Place

**PACKER
WHEELS**

SPECIAL

Brillion 20" Notched 35619



\$29.95

while supply lasts

*A SMILE IS A CURVE THAT CAN SET
A LOT OF THINGS STRAIGHT*

WE SHIP PARTS DAILY

Via FED. EXP. - UPS - PPSH - BUS - AIR FREIGHT, ETC.

HOURS

Mon.-Fri. 7 AM-5 PM; Sat 7 AM-Noon

CALL US...

It Could Be We Have It



Authorized
UPS Station

YOU STAY PUT



Pick Up Your
Phone And
Place Your
Parts
Order
With
Us

Farm Crest Feeds

Contracts Being Offered For...

New Farrow To Finish Units
Preferrably 300-500 Sows. Also Interested
In New And Existing Finishing Floor
To Be Run "All-In-All Out"

We Supply

- Cash Flow Information
- Professional Service Personnel
- Quality Genetics
- Producer Incentive Programs

Become a part of our Planned Growth!
Call now to discuss this opportunity!

717-626-0331

OR

1-800-432-3040