

Prize Photos

(Continued from Page B12)

she was a teen-ager and shooting photos. She never stopped.

When she takes a roll of film with her Pentax, which she calls her "third arm," she's not always sure how they will come out.

"I don't think about it," she said about her methods of committing

something to film. She said she is picky about what's in her shots and will move things out of the way in order to get a good shot.

Most of her work hangs on her walls in the ranch house she shares with her husband, Robert J., who works on his father Stanley's neighboring 500-acre corn and grain farm.

She doesn't sell the stacks of

matted prints she has tucked away in a closet in a spare bedroom, but she does submit them to contests.

Recently, she said, she has taken old photos of herself and her family and enlarged them, just for her own pleasure.

Her favorite subjects are animals and children, both of which also happen to be the most difficult to shoot.

Md. Grain Producers Vote Yes To Checkoff

FREDERICK, MD (AP) — Maryland grain producers supported the referendum held recently. "yes" to the all grain — More than 75 percent of the eligible grain producers supported the grain checkoff referendum.

"We are extremely pleased with the results," said President of the Maryland Grain Producers, Lawrence Meeks. "Maryland farmers have shown that they are good at producing a quality grain crop, now we can go out and market our products."

An assessment of one half of one percent (1/2 percent) of the net value of grain will be collected at the first point of sale starting October 1. The funds will be collected by the Grain Producers Utilization Board (MGPUB), which is made up of 17 members. The 13 voting members on the board will be grain farmers from throughout the state to be elected at the annual Grain Producers Association meeting. The remaining four nonvoting members will represent government and agribusiness.

The funds will be used to expand grain markets through research, education and promotion. "Many new and unconventional uses for grain, such as road de-icers, building materials and biodegradable products, have the potential to increase the demand for grain," said Drew Stabler, Chairman of the Check-off Committee. "We just need to work with industry and universities to help sponsor research and promote these new products."

MGPUB will be meeting at the Maryland Department of Agriculture to set their agenda for the next few busy months. "We are hoping to design our reporting system to be the same as the federal Soybean Checkoff which will be going into effect at the same time," said Lynne Hoot, who works for the Maryland Grain producers. "We want to make it as simple as possible for grain dealers and producers."

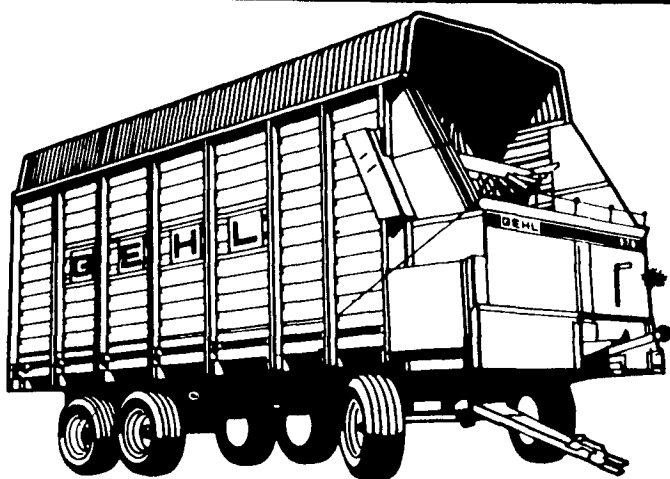
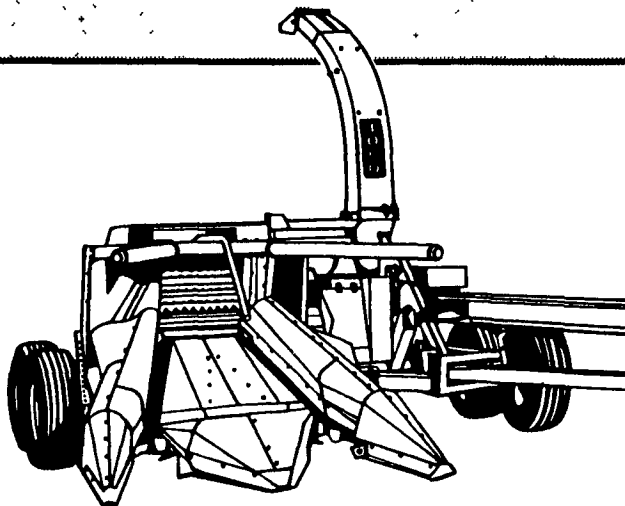
Any producer who does not wish to participate in the checkoff will be able to request a refund from the MGPUB. "For now it is all systems go, and we are very enthusiastic," said Meeks.

For further information, contact Lynne Hoot, (301) 956-5771.



Versatility Champ!

With a horsepower rating for maximum 200 hp, the Gehl 1060 features exclusive patented spinner delivery system that "jets" material from cylinder to blower in a continuous flow. Other features include overrunning clutch; in-head hydraulic knife sharpener that allows in-field knife sharpening and refacing of cutterbar, using tractor hydraulics; and single-station cutterbar adjustment. Auto-Max system, speed monitor, metal detector, haylage water tank optional! It's totally versatile! Make us prove it with a demonstration.

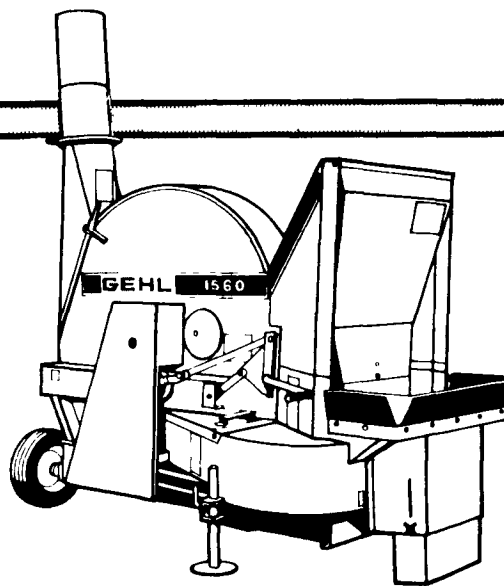


High Capacity...Fast Unloading

The Gehl 970 Series self-unloading forage box is a winner! You can't beat it for unloading speed, capacity, strength, ease of maintenance—and price! Ten-year warranty on sides, end-gate, stakes and platform tells you a lot about its superior construction. And the optional Even-Feed third beater plus a wide 23 1/2-inch cross conveyor give you the speed and capacity you're looking for. Available in five sizes. Stop in and look one over today!

Unparalleled Performers

The ultimate forage blowers are here - the Gehl 1540, 1560 and 1580. These blowers have been developed around the high capacity tradition of famous Gehl blowers. In addition to unmatched capacity, these blowers boast many convenience features - swing-away blower outlet, removable tunnel covers, replaceable rim sheet liner, adjustable left axle, quick-adjust air vents, PTO storage hanger and more. PUT A GEHL BLOWER TO THE TEST ON YOUR FARM TODAY!



Waiver Till April 1, 1992 On All New Gehl Equipment



18 Month Terms	24 Month Terms	36 Month Terms	48 Month Terms	60 Month Terms*
0%	5.5%	7.5%	8.5%	10.9%

GEHL FINANCE
A DIVISION OF

GEHL

PHONE 414-334-9461

* Certain restrictions may apply. See your participating Gehl dealer for complete details. Gehl Company reserves the right to interpret, modify or cancel these programs at any time without prior notice.

Available From Your Local Participating Dealer

ICKES FARM SUPPLY
Rt 1 Hwy 869 West
Osterburg, PA

D.W. OGG
EQUIPMENT CO.
Main Location
5149 Cap Stine Rd
Frederick, MD
Taylorsville, Md
(Bob's Welding)

MILLER-LAKE
RR 02, Box 273A
Belleville, PA

LINCOLN SUPPLY &
EQUIPMENT CO.
RR 02, Box 217A
Somerset, PA
Rt. 135
McCoolle, MD
UMBERGER'S
OF FONTANA
RR 04 (Fontana)
Lebanon, PA
GUTSHALL'S INC.
Rt 850 West
Loysville, PA
1201 Spring Rd
Carlisle, PA

LEBANON VALLEY
IMPLEMENT CO., INC.
700 E Linden St
Richland, PA
FANCY FURROW FARMS
AG EQUIP., INC.
RR 01, Uhler Rd
Easton, PA

PEOPLE'S
SALES & SERVICE
Rt 35
Oakland Mills, PA

HINES EQUIPMENT
PO Box 5, Rt 22
Cresson, PA
RR 03, Box 550, Altoona
(Bellwood)

STOUFFER BROS.
INC.
1066 Lincoln Way West
Chambersburg, PA

ECKROTH BROS.
FARM EQUIPMENT
RR 02, Box 24A
New Ringgold, PA

BINKLEY & HURST
BROS.
133 Rothsville Station Rd
Lititz, PA

MILLER EQUIPMENT
CO.
RR 01 Stauffer Rd
Bechtelsville, PA

A.L. HERR & BRO.
312 Park Ave
Quarryville, PA

