

Camp Not Only For 4-H

Gloucester County 4-H held Back-to-Camp-Night July 16 at 7:30 p.m. at the Gloucester Coun-

ty Office Building, Delsea Drive, Clayton, New Jersey.

The evening provided a time for boys and girls 9-15 years old, whether or not they are a member of 4-H, to register for 4-H camp

held August 5-9 at Cook 4-H Camp, Stokes State Forest.

At Back-to-Camp-Night, prospective campers met counselors, learned about camp routine and crafts, and what to bring to camp.

During their week at camp, kids learn about native Americans as members of Indian tribes. They will swim and boat on a 20-acre lake, live in cabins with adult and

teen counselors, learn crafts, and hike the Appalachian trail.

The week-long camp costs \$135. Campers leave Monday, August 5, at 7 a.m. and return Friday, August 9, at 3 p.m.

4-H Camping Fun

4-H Camp was staged at Custaloga Town in Mercer County over

the past two weeks.

According to Sanford Smith, Warren County extension agent, 10 Warren County 4-H'ers attended as campers this year, and three older 4-H'ers served as teen counselors.

Each summer, two one-week 4-H Camps are conducted in June for 4-H club members from a 10-county area in northwestern Pennsylvania. This year, more than 300 4-H'ers from northwestern Pennsylvania enjoyed a week of fun at 4-H Camp.

During the first week, "Junior Camp" is conducted for 8-11 year olds, where campers participated in crafts, wildlife study, tracking, canoeing, archery, riflery, clowning, and swimming workshops. Smith served as the overall director for Junior Camp this year.

"Senior Camp" is conducted during the second week for 4-H'ers between the ages of 12 and 15. The theme of this year's Senior Camp was "Dancing Through the Decades." A variety of dance workshops were staged.

Attending Junior Camp from Warren County were Jamie Salapek and Sarah Miller of Warren; Dianna Wolbert of Youngsville; Kyle Young of Pittsfield; and James Gluvna of Columbus. In addition, Mark Lauffenburger and Chris Carlson of Warren both served as counselors at Junior Camp. Norm Perschke, retired Warren County extension agent, also volunteered his time and served as a staff member and workshop instructor for Junior Camp.

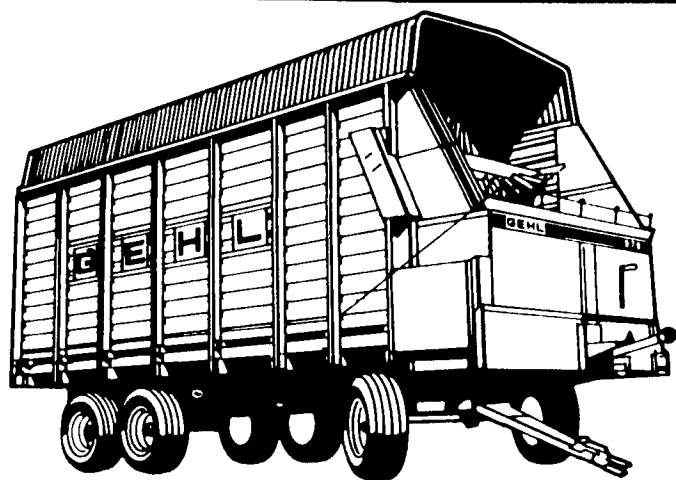
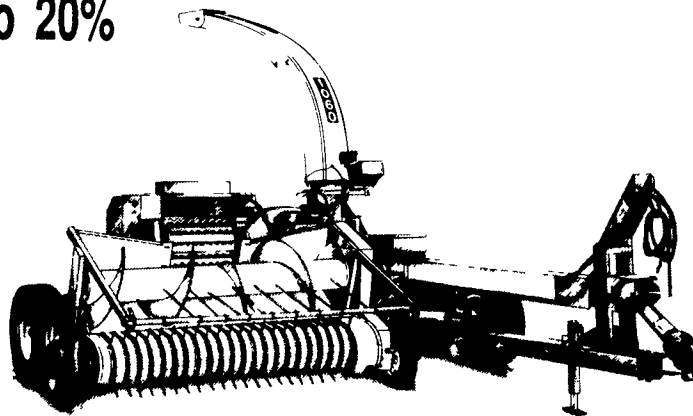
Attending Senior Camp from Warren County were Jeff Rulander of Warren; Scott and Penny Tenney of Grand Valley; Brice Allen of Sugar Grove; and Jesse Lookenhouse of Russell. Andy Van Ord of Russell served as a camp counselor for Senior Camp as well.

GEHL

Chop Your Harvesting Time By Up To 20%

When it comes to harvesting your forage, time is money. And Gehl forage harvesters get the job done faster with these performance features:

- **Exclusive Auto-Max Load-Sensing System** - Increase capacity by up to 20%. Lets you operate at top capacity without the fear of downtime due to overloading.
- **Metal-Stop Metal Detector** - Prevents machine damage and hardware disease.
- **In-Head Hydraulic Knife Sharpener** - Lets you sharpen knives in the field.
- **Patented One-Side Cutterbar Adjustment** - Makes adjusting the cutterbar quick and easy.
- **Three Models To Choose From** - Including the largest capacity pull-type forage harvester on the market.

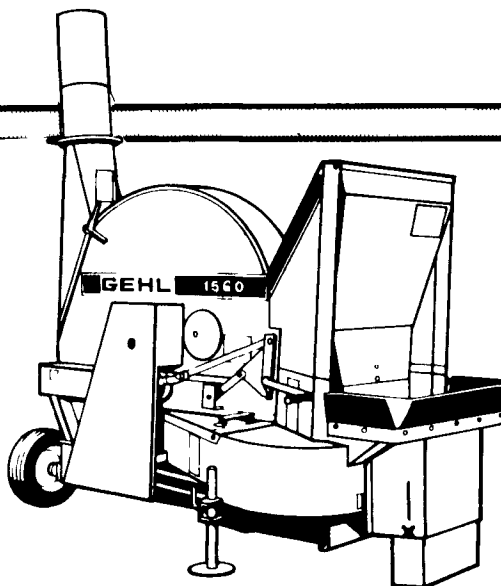


High Capacity...Fast Unloading

The Gehl 970 Series self-unloading forage box is a winner! You can't beat it for unloading speed, capacity, strength, ease of maintenance—and price! Ten-year warranty on sides, end-gate, stakes and platform tells you a lot about its superior construction. And the optional Even-Feed third beater plus a wide 23½ -inch cross conveyor give you the speed and capacity you're looking for. Available in five sizes. Stop in and look one over today!

Unparalleled Performers

The ultimate forage blowers are here - the Gehl 1540, 1560 and 1580. These blowers have been developed around the high capacity tradition of famous Gehl blowers. In addition to unmatched capacity, these blowers boast many convenience features - swing-away blower outlet, removable tunnel covers, replaceable rim sheet liner, adjustable left axle, quick-adjust air vents, PTO storage hanger and more. PUT A GEHL BLOWER TO THE TEST ON YOUR FARM TODAY!



CASH REBATES — OR —



INTRODUCING The Best Financing Deal In Farm Machinery Today. FREEDOM FROM PAYMENTS, Or FREEDOM FROM FINANCE CHARGES.

No payments or finance charges until Dec. 1, 1991. Plus get 7.9% LOW APR for up to 30 months after that!

OR

Choose no finance charges for 12 months with extra-low payments. Then 9.9% LOW APR for up to 36 months!

GEHL FINANCE
A DIVISION OF
GEHL
PHONE 414-334-9461

* Certain restrictions may apply. See your participating Gehl dealer for complete details. Gehl Company reserves the right to interpret, modify or cancel these programs at any time without prior notice.

Available From Your Local Participating Dealer

BINKLEY & HURST BROS.
133 Rothsville Station Rd
Lititz, PA
MILLER EQUIPMENT CO.
RR 01 Stauffer Rd
Bechtelsville, PA
A.L. HERR & BRO.
312 Park Ave
Quarryville, PA
ICKES FARM SUPPLY
Rt 1 Hwy 869 West
Osterburg, PA

D.W. OGG EQUIPMENT CO.
Main Location
5149 Cap Stine Rd
Frederick, MD
Taylorsville, Md
(Bob's Welding)
LINCOLN SUPPLY & EQUIPMENT CO.
RR 02, Box 217A
Somerset, PA
Rt 135
McCoole, MD

UMBERGER'S OF FONTANA
RR 04 (Fontana)
Lebanon, PA
MILLER-LAKE
RR 02, Box 273A
Bellefonte, PA
GUTSHALL'S INC.
Rt 850 West
Loysville, PA
1201 Spring Rd
Carlisle, PA

LEBANON VALLEY IMPLEMENT CO., INC.
700 E Linden St
Richland, PA
FANCY FURROW FARMS AG EQUIP., INC.
RR 01, Uhler Rd
Easton, PA
PEOPLE'S SALES & SERVICE
Rt 35
Oakland Mills, PA

HINES EQUIPMENT
PO Box 5, Rt 22
Cresson, PA
RR 03, Box 550, Altoona
(Bellwood)
STOFFER BROS. INC.
1066 Lincoln Way West
Chambersburg, PA
ECKROTH BROS. FARM EQUIPMENT
RR 02, Box 24A
New Ringgold, PA

Precounty Round-up results

Twenty-four entries participated in hot, steamy weather at the Lancaster County 4-H Horse & Pony Fun Show, on July 6, at the Lower Hopewell Horse Center, Lititz.

Forty nine qualified in grooming and showmanship to earn the right to compete at the Lancaster County 4-H Round-Up on July 20. The following are the results of the pre-county show:

Grooming & Showmanship 16 & Over: 1 Becky Press, 2 Tracy Garfalo, 3 Sharon Hamish
Grooming & Showmanship 12 & Under: 1 Samara Shuster-Edelson, 2 Daniel Talbot, 3 Emily Hill