

MAILBOX MARKET FOR SALE

Industrial 440 John Deere crawler loader, working order \$3500 Also new electric motors Lanc Co 717 733 2584

Egg cartons new used and misprint 1981 VW Rabbit diesel, good cond black \$900 OBO 717 733 1235 Lanc Co

1979 Ford Bronco custom \$1950 16 travel trailer \$950 both good cond York Co 717 225 1536 noon until 5 PM

1976 Dodge Scamper motor home, 360 engine 26 000 miles many extras sleep six \$7250 OBO 717 235 2444

AKC Collie pups, sable/white look just like Lassie, 1st shots & wormed, ready 7-18-91 Deposit will hold til ready Mifflin Co 717-543-5999

Ford 5000 dsl tractor good shape \$4800 White 254 9' transport disc \$1000 Berks Co 215 845-3463

5 acres commercial & mixed used next to New Garden Shopping Center, Rt 131 E Baltimore Pk., Kennett Square, PA

Gehl C-40 Silo filler, like new extra knives, Rosenthal 40 Husker Shredder, good cond Perry Co will deliver 717-789-4569

Single seat, older folks Mennonite carriage, also heavy spring wagon to be sold at NH equip auction July 12 717-733-0511

2 30 5x32 tires on rims for ACM combine JD 3 pth cultivator, 10' steel body hoist, 14' JD disc, after 9 PM Monmouth Co 609-448-0748

Power unit Detroit 4-71 120 HP with clutch on skid, good cond Lanc Co 717-354 0192

Penall wheat, Wikon soybean seed Geo B Leid, 919 Leid Rd., East Earl, Pa 17519 Lanc Co

12 roof trusses 36 ft long 6-12 pitch new but slightly weathered, 2 mi south of Bowmansville, Lanc Co

1961 Cadillac hood, front fenders & bumper, large dealer stock of hundreds of parts for Kaiser Frazers, Leesport consignment sale, Aug 17

Pygora doe kids, small white, fluffy goats, reg and non reg great pets, ex fleeces for handspinning Call for details 215-326-9475 Chester Co

Wood from old barn and crib, mostly oak, stacked incomplete for reconstruction Hand hewn beams best offer Carroll Co 301-756-2637

IH #91 sp combine 8 1/2' \$1500 M&W hand clutch for Su H Farmall (live PTO) \$100 Cumb Co 717-249-4996

John Deere 720 wide front power steering three point hitch 4500 in parts, labor tested, asking \$4750 Herkimer Co NY 315-826 3414 7 pm

Oliver 1550 gas 3 pt wide front weights and rear good cond Huntingdon Co 814 667 3540

New Holland 269 Hay baler in very good cond Bedford Co 814 623-6485

Blue front amazon parrot with cage \$500 1200 egg wooden favorite incubator ex cond \$300 Berks Co 215-779 3080

1971 Chevy C40 GVW 17,000 good engine & drive train, short wheelbase, good running truck, inspected \$900 OBO Sch Co 717-345-4498

Farmall H tractor \$400 Leb Co Jonestown, Pa 717-865-3974

7'8"x11' truck bed from 82 Chevy #3500 \$700.66 Ford 350 7x9 stake dump 6 cyl \$1700 717-653-9580

NI 7 50x20 mounted \$10, good 16 9x38 tube \$10, good 13x28 tube \$5 Berks Co 215-682-7754

Coachman pickup camper 1989, All the extras, AC microwave, 11 1/2 ft long purchase price \$10,000 asking \$7,000 OBO 215-932-5791 Chester Co

Upright piano needs tuning, great shape \$250 OBO or swap for beef calf Montg Co after 5 215-287-5370

Feeder steers, beef type, acclimated, shots 650 lbs Call early AM/late PM Carroll Co 301-756-2710

Dearborn loader to fit 9N 2N 8N Ford \$200 or best offer Chester Co 215-593-5582

Miniature Apaloosa horses, reg loud colored yearling and weanling \$1150 an \$1550 Williamstown, N Gloucester Co 609-728-0251

Hyabine NH 489 \$4500 Hesston 200 stacker \$1000 Utility trailer tandem axle \$800 NH 451 sickle bar \$1200 Chester Co 215 869-2863

Dairy goats, milkers, kids & 2 yr. old buck. All good show & milking lines. English saddle. Perry Co 717-834-4267.

1988 full size Chev Blazer, 25,000 mi, burned body salvage title \$2200 Montour Co 717-437-2212

AKC gundog beagle pups, ready July 20th \$125 Lanc Co 717-653-6086

IH 110 3 beater forage wagon, good cond. 717-532-5298.

1976 Leer camper for pickup, sleeps 6, stove, refig, shower, bathrm, clean, gas operated, \$2000 OBO 215-488-6828.

Old barn siding boards 16' long up to 12" wide Sch Co 717-739-4699 after 5PM

3 black ewes, 1 polled hereford bull, 2 yrs. old. Adams Co. 717-259-7626

Reg Cheviot yearling ram, ewe lambs and ram lambs, good bloodlines, Cumb Co 717-776-3515

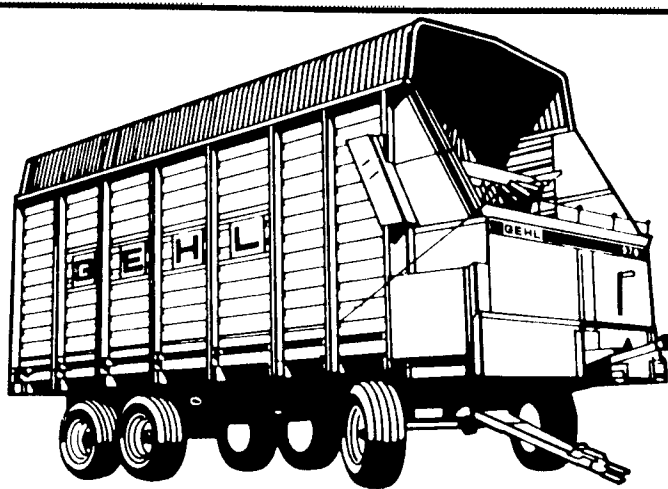
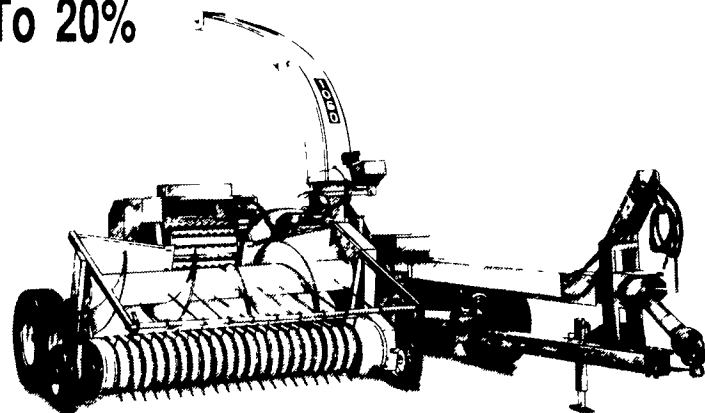
7 yr old standardbred family horse, any one can drive Lanc Co David M King, 90 S New Holland Rd., Gordonville, PA 17529



Chop Your Harvesting Time By Up To 20%

When it comes to harvesting your forage, time is money. And Gehl forage harvesters get the job done faster with these performance features:

- **Exclusive Auto-Max Load-Sensing System** - Increase capacity by up to 20%. Lets you operate at top capacity without the fear of downtime due to overloading.
- **Metal-Stop Metal Detector** - Prevents machine damage and hardware disease.
- **In-Head Hydraulic Knife Sharpener** - Lets you sharpen knives in the field.
- **Patented One-Side Cutterbar Adjustment** - Makes adjusting the cutterbar quick and easy.
- **Three Models To Choose From** - Including the largest capacity pull-type forage harvester on the market.

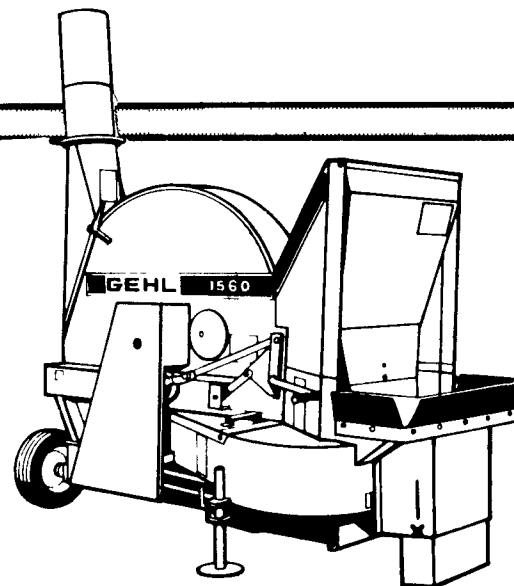


High Capacity...Fast Unloading

The Gehl 970 Series self-unloading forage box is a winner! You can't beat it for unloading speed, capacity, strength, ease of maintenance—and price! Ten-year warranty on sides, end-gate, stakes and platform tells you a lot about its superior construction And the optional Even-Feed third beater plus a wide 23 1/2 -inch cross conveyor give you the speed and capacity you're looking for. Available in five sizes. Stop in and look one over today!

Unparalleled Performers

The ultimate forage blowers are here - the Gehl 1540, 1560 and 1580. These blowers have been developed around the high capacity tradition of famous Gehl blowers. In addition to unmatched capacity, these blowers boast many convenience features - swing-away blower outlet, removable tunnel covers, replaceable rim sheet liner, adjustable left axle, quick-adjust air vents, PTO storage hanger and more. PUT A GEHL BLOWER TO THE TEST ON YOUR FARM TODAY!



CASH REBATES — OR —



INTRODUCING The Best Financing Deal In Farm Machinery Today. FREEDOM FROM PAYMENTS, Or FREEDOM FROM FINANCE CHARGES.

No payments or finance charges until Dec 1, 1991 Plus get 7.9% LOW APR for up to 30 months after that!

Choose no finance charges for 12 months with extra-low payments. Then 9.9% LOW APR for up to 36 months!

GEHL FINANCE
A DIVISION OF
GEHL
PHONE 414-334-9461

* Certain restrictions may apply. See your participating Gehl dealer for complete details Gehl Company reserves the right to interpret, modify or cancel these programs at any time without prior notice.

Available From Your Local Participating Dealer

STOFFER BROS. INC.
1066 Lincoln Way West
Chambersburg, PA

ECKROTH BROS. FARM EQUIPMENT
RR 02, Box 24A
New Ringgold, PA

BINKLEY & HURST BROS.
133 Rothsville Station Rd
Lititz, PA

A.L. HERR & BRO.
312 Park Ave
Quarryville, PA

ICKES FARM SUPPLY
Rt 1 Hwy 869 West
Osterburg, PA

MILLER EQUIPMENT CO.
RR 01 Stauffer Rd
Bechtelsville, PA

MILLER-LAKE
RR 02, Box 273A
Bellville, PA

D.W. OGG EQUIPMENT CO.
Main Location
5149 Cap Stine Rd
Frederick, MD
Taylorsville, Md
(Bob's Welding)

LINCOLN SUPPLY & EQUIPMENT CO.
RR 02, Box 217A
Somerset, PA
Rt. 135
McCoole, MD

UMBERGER'S OF FONTANA
RR 04 (Fontana)
Lebanon, PA

GUTSHALL'S INC.
Rt 850 West
Loysville, PA
1201 Spring Rd
Carlisle, PA

LEBANON VALLEY IMPLEMENT CO., INC.
700 E. Linden St.
Richland, PA

FANCY FURROW FARMS AG EQUIP., INC.
RR 01, Uhler Rd
Easton, PA

PEOPLE'S SALES & SERVICE
Rt 35
Oakland Mills, PA

HINES EQUIPMENT
PO Box 5, Rt 22
Cresson, PA
RR 03, Box 550, Altoona
(Bellwood)