

Home Run Winners To Be Recognized

HARRISBURG (Dauphin Co.) — The Harrisburg Senators' baseball season is just warming up and three Harrisburg area residents have joined the fun by winning a year's supply of ice cream.

These winners will be recognized at a special ceremony at Riverside Stadium on Tuesday, June 11, 1991, prior to the Senators' game with the Hagerstown Suns.

The game will also feature a new starting pitcher for the Senators. Pennsylvania's Secretary of Agriculture, Boyd E. Wolff, will deliver the game's first pitch. Wolff is taking a small step back from his appearance with the Pittsburgh Pirates last month, but is none the less ready to play.

The winners, Bob Campbell of

Camp Hill, Kay Straub of Carlisle, and Clarence Moul of Marysville, all have won a year's supply of ice cream courtesy of the Pennsylvania Dairy Promotion Program and Giant Foods of Carlisle.

Campbell won on April 11, when Bob Natal, the Senators' catcher, hit a home run over the ice cream contest billboard.

The Senators' outfielder, Chris Cassels, helped Straub on May 5, 1991, win ice cream when he hit a home run during the radio, 'Ice Cream Home Run Inning.'

Then on May 20, Moul won his prize as Chris Martin, the Senators' shortstop, hit a home run, again, over the ice cream billboard.

Both Campbell and Moul won their prizes because their game day program was stamped and a Sena-

tor hit a home run over the PDPP/Giant Foods, Ice Cream Billboard in Right Center Field. Straub won her prize during the fourth inning, radio broadcast contest, the 'Ice Cream Home Run Inning.' Her name was drawn from entries collected at 10 Harrisburg area Giant Food Stores.

The contests will continue throughout the Senators' baseball season. To date, more than 100 people have received consolation prizes, half gallons of ice cream, through both contests.

Residents interested in winning a year's supply of ice cream can visit their neighborhood Giant Store and enter the drawing, or purchase a game day program at any Senator home game.

Lititz Mennonite To Hold Benefit Auction

LITITZ (Lancaster Co.)—The 14th annual Lititz Mennonite School benefit auction will be held on June 21 and 22 at the school on East Newport Road. A wide selection of items have already been donated.

The sale listing includes a 3-dimensional painting by Abner Zook, many quilts, winross trucks and collectible toys, certificates, and crafts.

On Friday evening, June 21, a chicken barbecue and dinner will be served from 3:00 p.m. to 7:00 p.m. and the auction of flowers, food and crafts will be held. On

Saturday, June 22, will be the main auction day. A country style buffet breakfast is from 6:00 a.m. to 9:00 a.m. and the auction begins. The Zook painting will be sold at noon, with quilts at 1 p.m. and the winross truck sale at 2:30 p.m.

To donate additional items for the auction, contact John Miller. Phone: (717) 626-4206.

South Jersey Sets Flower Trade Show

SOUTH JERSEY, N.J. — The South Jersey Flower Growers Association has scheduled a trade show for commercial flower growers on Wednesday, June 12, 10:30 a.m. to 6 p.m. at the Salem County Fairgrounds. Preregistration admission is \$6, or \$8 at the door.

In addition to the trade show itself, the admission fee entitles registrants to a chicken barbecue dinner, which will be served throughout the day, and to a series of lectures scheduled at intervals in the afternoon and evening.

Nationally recognized speakers include David Hartley of the Ecke Poinsettia Ranch of Encinitas, Calif. Hartley will bring the latest information on poinsettias growing and new varieties to the growers who attend the trade show.

David Snyder of Yoder mums is another featured speaker, focusing on new chrysanthemum varieties and disease resistance. Other topics to be presented include pesticide safety in the greenhouse and coping with resistance to pesticides. Pesticide recertification credits will be available.

For further information or to obtain registration materials, call Denise McCue at (609) 625-8539.

Advertisement



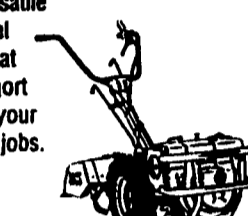

Worried About How You'll Look With A Hearing Aid?

Chicago, Ill. — A free offer of special interest to those who hear but do not understand words has been announced by Beltone. A non-operating model of the smallest hearing aid Beltone has ever developed will be given absolutely free to anyone requesting it.



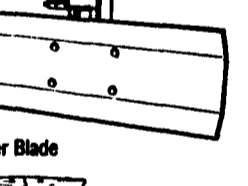
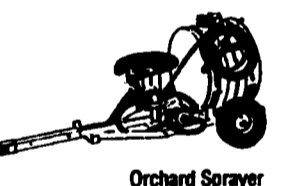
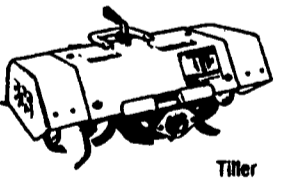
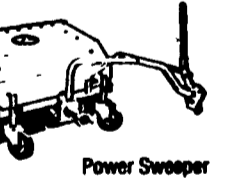


It's yours for the asking, so send for it now. It is not a real hearing aid, but it will show you how tiny hearing help can be. The actual aid weighs less than an eighth of an ounce, and it fits completely into the ear canal.

These models are free, so we suggest you write for yours now. Again, there is no cost, and certainly no obligation. Although a hearing aid may not help everyone, more and more people with hearing losses are being helped. For your free sample send your name, address, and phone number today to: Department 20208, Beltone Electronics Corporation, 4201 West Victoria Street, Chicago, Illinois 60646.

BCS A TRACTOR FOR ALL REASONS BCS

<p>The BCS model 205 is ideal for home gardeners who appreciate a lightweight, smooth-handling tractor.</p>  <ul style="list-style-type: none"> • 6HP engine • All-gear transmission • Two speeds forward; one speed reverse • Attachments include cutter bar, snowthrower, rear-tine tiller, 22-inch rotary mower w/catcher 	<p>Reliable performance makes the BCS model 715 a popular choice for everyone.</p>  <ul style="list-style-type: none"> • 6HP engine • Precision steel all-gear transmission • Three speeds forward; one speed reverse • Attachments include rotary mower with catcher, cutter bar, snowthrower, power sweeper, rear-tine tiller • Operator presence controls <p>SPECIAL \$150 OFF</p>	<p>The BCS model 725 is the versatile two-wheel tractor that makes short work of your toughest jobs.</p>  <ul style="list-style-type: none"> • 8HP engine • Five speeds forward; two speeds reverse • Attachments include rotary mower with catcher, cutter bar, snowthrower, rear-tine tiller and more <p>NOW \$200 OFF</p>	<p>The BCS model 737—the do-it-all machine for the professional do-it-yourselfer.</p>  <ul style="list-style-type: none"> • 10HP engine • Precision steel all-gear transmission with differential • Four speeds forward; three speeds quick reverse • Adjustable, shock-mounted handlebars • Large 5x10-inch tires • Attachments include twin-blade rotary mower with catcher, rear-tine tiller, cutter bar, snowthrower, power sweeper, dozer/scrapper blade, chipper/shredder
---	---	---	---

BCS On Again With These BCS Attachments

 <p>Combination Cutter Bar</p>	 <p>Snowthrower</p>	 <p>Dozer Blade</p>	 <p>Orchard Sprayer</p>
 <p>Tiller</p>	 <p>Power Sweeper</p>	 <p>Chipper/Shredder</p>	 <p>36\" 2-Blade Mower w/Grass Catcher</p>

Please Call For Dealers In Other Locations



CUMMINGS and BRICKER INC.
DISTRIBUTORS FARM, OUTDOOR POWER, AND IRRIGATION EQUIPMENT

100 Stover Drive
Carlisle, PA 17013
(717) 249-6720

<p>PENNSYLVANIA</p> <p>ECKROTH BROS. FARM EQUIP. New Ringgold 717-932-2067</p> <p>STAUFFER WES ENGINES/EG Ephrata 717-736-4215</p> <p>MARTIN HARDWARE & EQUIP. Newmanstown 717-848-8817</p> <p>MILLER LAKE INC. Belleville 717-835-2335</p> <p>CLARK FARM SUPPLY Williamsport 717-484-0680</p> <p>HOMESTEAD EQUIPMENT CO. Feetville 717-222-3635</p> <p>BETTS EQUIPMENT CO. New Hope 215-608-0867</p> <p>THE HAYPRESS Limerick 215-948-3688</p> <p>DUNKLE & GREIS INC. Mt. Hill 717-726-3115</p> <p>NORMAN CLARK & SONS Honey Grove 717-734-3682</p>	<p>UMBERGER OF FONTANA, INC. Lebanon 717-887-5161</p> <p>KINGO HILL FARMS Quakertown 215-348-7340</p> <p>NICHOLS FARM EQUIPMENT Bloomsburg 717-784-7731</p> <p>PETERMAN FARM EQUIPMENT Carlisle 717-248-5338</p> <p>KINGTOWN FARM EQUIPMENT Ringtown 717-888-3184</p> <p>STOLTZBUS FARM SERVICE Cochranville 215-683-2407</p> <p>BOWERS LAWN & GARDEN Mertztown 215-682-2215</p> <p>DUNKLE & GREIS INC. Centre Hall 814-384-8108</p> <p>SHEETS BROTHERS Hanover 717-632-3880</p> <p>WINELAND EQUIPMENT CO. Martinsburg 814-793-2108</p>	<p>CLUGSTON FARM EQUIPMENT Needmore 717-573-2215</p> <p>ZECHMAN'S FARM SUPPLY Sellersville 717-374-7231</p> <p>BEN'S LAWN & GARDEN Danville 717-275-1892</p> <p>NEUHAUSE'S INC. Shrewsbury 717-235-6831</p> <p>DIRT & CHIPS INC. Line Lexington 215-822-6898</p> <p>HINES EQUIPMENT Creason 814-886-4183</p> <p>JIM LAWN MOWER SERVICE Harrisburg 717-545-5114</p> <p>HOLTRY WELDING & REPAIR Roxbury 717-532-7281</p> <p>SEBING POWER HOUSE Stroudsburg 717-421-8980</p> <p>WALNUT BARN-DAIRY EQUIP. Port Royal 717-438-8428</p>	<p>BENDER'S SALES & SERVICE Millburg 717-966-1173</p> <p>LATCHFORD SAW Newport 717-567-3608</p> <p>MONTGOMERY LAWN EQUIPMENT Norristown 215-830-4994</p> <p>BUCK HARDWARE Quarryville 717-284-2722</p> <p>STONEHAM'S Waynesboro 717-782-3614</p> <p>LAWN EQUIPMENT DOCTOR Kennett Square 215-444-4184</p> <p>NORMAN D CLARK & SON Loydsville</p> <p>NEW JERSEY</p> <p>HIGHTS FARM EQUIPMENT CO. Hightstown 609-448-1370</p> <p>REED LAWN EQUIPMENT Columbus 609-281-8561</p> <p>PENNINGTON SALES & SERV. Pennington 609-737-0445</p>	<p>MILLER EQUIPMENT Robberville 609-587-9688</p> <p>WEAVERS L&G Vineland 609-686-9398</p> <p>WARREN COUNTY SERVICE CTR Columbia 201-382-6916</p> <p>CARALE MOWERS ON THE GO Maple Shade 609-486-7151</p> <p>CAMMPS HARDWARE-LAWN PROD. Belle Mead 908-281-7575</p> <p>MARYLAND</p> <p>GARDNER HUGH INC. Faulkner 301-934-2841</p> <p>L L ENGINE SERVICE Myersville 301-293-1718</p> <p>LITTLETON DON LAWN-GARDEN Hebron 301-742-8873</p>	<p>GLADHILL BROTHERS Damascus 301-253-2141</p> <p>CECIL JACKSON EQUIP. INC. Oakland 301-334-3759</p> <p>CARLYE & MARTIN Hagerstown 301-733-1873</p> <p>RAINBOW FARM CENTER INC. Taneytown 301-751-1500</p> <p>OUTDOOR EQUIPMENT SERVICE Hancock 301-678-7222</p> <p>TRAVILAH TRADING CO. INC. Rockville 301-782-1500</p> <p>FINCH SERVICES Eldersburg 301-795-1051</p> <p>MATHEWS OUTDOOR POWER EQ. Great Mills 301-894-2825</p> <p>LYONS & LYONS SALES INC Glen Arm 301-592-6500</p>
---	---	---	---	---	--