
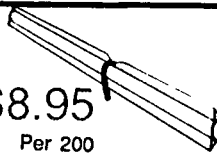
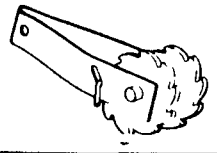

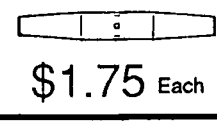
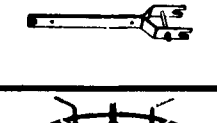
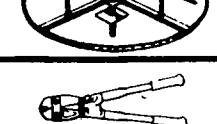








HIGH-TENSILE FENCE SUPPLIES

- 
HIGH-TENSILE FENCE WIRE
 12 1/2 -gauge High-Tensile Fence Wire Type III (Class A) Galvanized Zinc Coating Minimum Tensile Strength 17,000 psi, Minimum Breaking Strain 1500 lbs Coils Approximately 4000 feet or 240 rods
\$62.95 Each
- 
4" TUBE INSULATOR
 Required number can be threaded on wires before tying off Ridges eliminate the insulator from sliding from beneath the staple High Density Polyethylene
\$8.95 Per 200
- 
PERMANENT IN-LINE WIRE STRAINER
 Maintains correct tension on fence wire Allows seasonal adjustment Use in Center of strain or at the end of strain
\$1.75 Each
- 
NICROPRESS® SLEEVES
 Splicing of 12 1/2 -gauge wire can be accomplished with three crimped sleeves, which withstand up to 1800 lbs tension Two sleeves required for bringing wire around end post Also used for attaching In-Line Strainers. 100 per box
\$16.95 Per 100
- 
WIRELINK®
 A fast, simple "no-knot" method of joining wire Wirelink is treated to prevent corrosion and no attachment tools are required Withstands up to 1800 lbs of tension
\$1.75 Each
- 
TIGHTENING HANDLE
 For adjusting permanent in-line strainers
\$4.25 Each
- 
SPINNING JENNY **\$45.95**
 Pays out wire with ease Central spike Each with large stabilizer plate holds firmly in the ground
- 
NICROPRESS® TOOL **\$68.95** Each
 No crimp sleeves

- 3"x6 1/2'**
TREATED POSTS
\$3.19
- 4"x6 1/2'**
TREATED POSTS
\$3.99
- 5"x8'**
TREATED POSTS
\$6.75
- 
SPRING GATE
16'
\$11.95
- SPRING GATE**
20'
\$12.95



- 
RUBBER GATE HANDLE
\$1.55
- 
STEEL CASED GATE HANDLE
\$3.10

Makita

CORDLESS DRIVER-DRILL
 2-Speed gear selection variable speed in either direction 11-position torque dial Kit comes with battery, charger and steel tool case
 6093DW
\$19.99

9.6V BATTERY
 MP07-4
\$28.95

PROFESSIONAL LEVEL
 MAHOE 23040-MP048
\$35.95

Makita

10" MITER SAW. 12 amp motor for fast efficient cutting. Lightweight. Electric brake for fast stopping
 LS1030 13-A
\$229.99

TOP GRADE PRO LEATHER APRON-E427
 Leathercraft
\$29.99

STERLING

YOUR CHOICE \$39.99

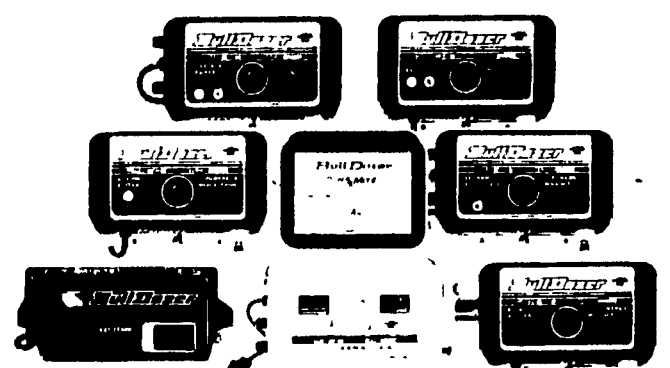
HANDLE WASHERLESS FAUCETS.
 KITCHEN FAUCET With HOSE SPRAY. 081-32 8-A
 LAVATORY FAUCET With POPUP DRAIN 060-82 8-B

DUTY LEVER ACTION GREASE GUN.
 Three ways cartridge, pressure pump and develops 10,000 psi Air bleeder valve and check valve 30-310 12-H **\$6.99**

3.5 Oz. MULTI-PURPOSE GREASE
 RIDGES. Fits all mini grease guns 0-127 12-1 **\$1.99**

1/2 Oz. MULTI-PURPOSE GREASE
 RIDGE Fits all standard guns **\$1.19**

10% Off Bulldozer Chargers



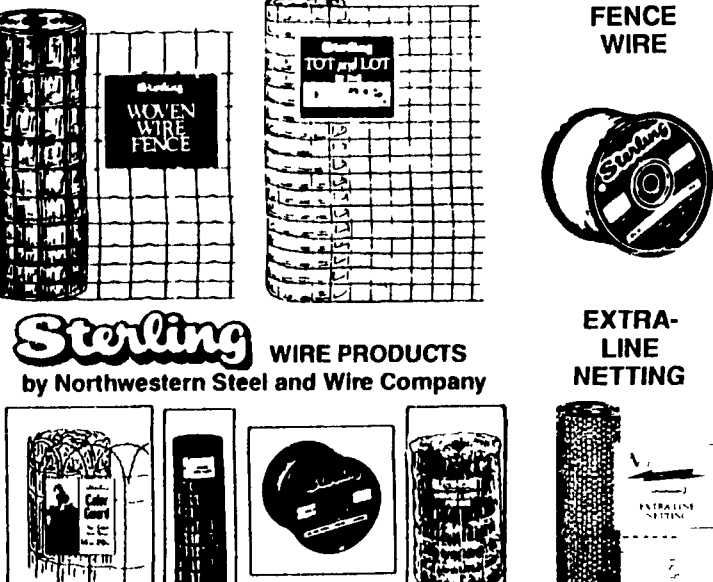
OTHER FENCE SUPPLIES AT 10% OFF

FIELD FENCE **TOT & LOT FENCE** Plastic Coated - 50' Rolls

WOVEN WIRE FENCE **TOT & LOT**

ELECTRIC FENCE WIRE **EXTRA-LINE NETTING**

Sterling WIRE PRODUCTS
 by Northwestern Steel and Wire Company



AMES UNION TRUE TEMPER
Better Quality Garden Tools

YOUR CHOICE \$7.99

GARDEN HOE. Sharp-bladed hoe with hardwood handle 18-485, SG6, 66108 2-C
14-TOOTH BOW RAKE. Long hardwood handle rake has strong teeth for fast, easy raking 18-826, SB14, 63107 2-D
ROUND POINT SHOVEL. Turned step, wooden handle 15-613, SLR, 40191 2-E

shop-vac

\$69.99

6 Gallon 1.0 HP WET-DRY VACUUM With PORTABLE BLOWER & 3 FREE ATTACHMENTS. Versatile vac with attachments and convenient blower with 112 MPH velocity 333 10 62-4 12 B

\$79.99

FREE Bonus Accessories
 16 Gallon HIGH PERFORMANCE WET-DRY VAC. Vacuums wet or dry, indoors or out. Includes 6"x2 1/2" hose, two 20" extension wands, utility nozzle and integrated dolly 808-29-5 12-C

"Win-A-Deck & How-To-Tips FROM DAP"
 (See Details In Store)

1 Gal. WOODLIFE WOOD PRESERVATIVE. Protects against decay and fungi Water repellent and paintable 00903, 00946VOC 6-B **\$6.99**

6.4 Oz. WOODLIFE DECK CLEANER & BRIGHTENER. Powder concentrate, cleans up to 150 sq ft Restores wood to a natural appearance 00900 6-C **\$4.99**

AMES UNION TRUE TEMPER YOUR CHOICE

LONG HANDLE GARDEN TOOLS \$3.66

ROUND POINT SHOVEL. Heat treated carbon steel blade Turned step for comfortable foot hold 15 543, LLR, 4019 1 B

14" BOW RAKE. Bow design gives spring action for less fatigue Welded steel head 18-816, LB14, 63157 1 C

GARDEN HOE. One piece blade and socket head 18-501, LG6, 66141 1-D

16 Oz. ENTINE-BRITE AEROSOL ENGINE CLEANER. Spray it on, hose it off Quickly removes grime and grease EB-1 12-D

12 oz. PUNCTURE SEAL With EXTENSION TUBE. Repairs and inflates tires without removal M11-16 12-E

YOUR CHOICE \$1.49

CARB-MEDIC CHOKE AND VALVE CLEANER. Avoids gasoline waste, rough idling, stalling and hard starting M48-12 12-F

Pint MOTOR MEDIC OIL TREATMENT. Increases compression and oil pressure, reduces friction, eliminates smoking M-19-15 12-G

YOUR CHOICE \$1.99

6-VOLT WORKHORSE® LANTERN With SAFETY FLASHER. Full lifetime replacement warranty Battery not included **\$11.99** WH5 11-G

6-VOLT HEAVY DUTY LANTERN BATTERY. 944,1209 11-H **\$2.99**

ARMAN INC.

295 Woodcorner Rd.
 Lititz, PA 17543
 1 Mi. West Of Ephrata
 717-738-1121

HEAVY ALUMINUM SHOVELS

14-27"
 14-36"
 14-40"

\$33.95

