

# New York Dairy Princess Crowned

(Continued from Page B16)

ing the dairy message throughout the state.

Held in conjunction with the American Dairy Association and Dairy Council, Inc. (ADADC) Annual Meeting, the pageant hosted princesses representing 36 counties. Selection for the prestigious position was based on a four-part judging process which took into account knowledge of the dairy industry, communication skills, creativity, and poise. The young women were evaluated during personal interviews, speech delivery to an adult audience, and elementary school presentations. Personal scrapbooks created by the dairy princesses were also judged.

Speech winners were awarded \$150 for their three to five minute presentation. Winners were: Jessica Chittenden, Karen Pritchard, and Amy Perry of Wyoming County.

Winners in the scrapbook competition were Jessica Chittenden, Bethany Spinler of Randolph, Cattaraugus County, and Kelly Acomb of Dansville, Steuben County. Each received \$75.

A "Miss Congeniality" award was presented to Kristy Clemons



**Tammy Skelle**

of Holland, Erie County. She was chosen by her fellow princess for being friendly and outgoing.

Tammy Skelle, former Washington County Dairy Princess, received the Memorial Scholarship award of \$500. The award is based on dairy promotion activities while serving as a county dairy princess, a 400-word essay submitted with the application, and financial need.

During her 1986-87 reign, she and her court achieved the highest level of accomplishment in New

York state. Skelle is a senior majoring in communications at the College of Saint Rose in Albany.

The Golden Cow Award was given to Arden "Sonny" Olsen Jr. of Eagle Bridge, Rensselaer County. As treasurer of his county Dairy Princess Committee since 1967, he has been instrumental in raising funds to meet the yearly budget.

In addition to being a technician for Eastern Artificial Inseminator's Cooperative, Olsen ran a farm with his father. He is a member of Eastern A.I. 50,000 Cow Club, master of the Van Rensselaer Lodge and Hoosick Grange, and president of the Tri-County Holstein Club and Hoosick Falls Alumni Club.

The dairy princess program is designed to promote the consumption and sale of milk and dairy products to consumers. The program also aspires to create better relations between urban and rural residents through one-on-one communication at the local level. The program is sponsored by the American Dairy Association and Dairy Council.

American Dairy Association and Dairy Council is a dairy promotion organization representing dairy farmers and producers in New York, New Jersey and Pennsylvania.



SCRAPBOOK WINNERS From left, Beth Spinler, Cattaraugus County, Jessica Chittenden, Rensselaer County, and Kelly Acomb, Steuben County.

**MILK**  
AMERICA'S HEALTH KICK

## SCRAPE, DIG, PULL, LOAD, MOW AND MORE



Estate owners, landscapers and farmers will appreciate the Kubota B-50 Series' wide choice of handy implements.

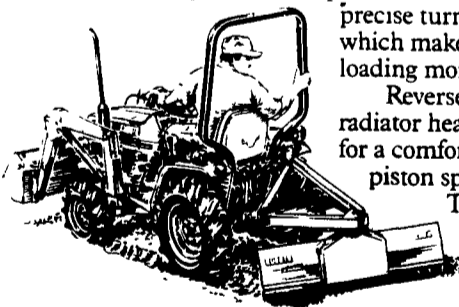
These include mid and rear mount mowers, front loaders, boxscrapers, backhoes, posthole diggers, snowblowers, even rotary tillers.

Kubota's remarkable B-50 Series compact tractors come with mid and 2-speed rear PTO. Optional Hydrostatic transmission. From 17-24 HP.

Kubota's optional "Bi-Speed Turn" system allows smaller and precise turns in 4-Wheel Drive, which makes mowing, and even loading more efficient.

Reverse air flow cooling directs radiator heat away from the operator for a comfortable, quiet ride. Low piston speed extends engine life.

The Kubota B-50 Series. Versatile compact tractors.



**Kubota.**

YOUR FULL LINE KUBOTA PRODUCT HEADQUARTERS  
• INVENTORY • PRICE • KNOWLEDGEABLE SALES STAFF  
• SERVICE EXPERIENCE

OVER 100  
NEW KUBOTA  
TRACTORS  
IN STOCK!

**KELLER BROS.**  
**KUBOTA**



TRACTORS & EQUIPMENT

Serving Central PA Since 1921

Large Selection  
Of 3 Pt. Hitch  
Attachments  
In Stock!

WE SHIP PARTS  
UPS DAILY!

PILOTS!

KELLER BROS.  
AIRPORT  
2350' RUNWAY  
600' From Dealership

Cash Discounts &  
Financing  
Available

**LEBANON**

Rt. 97, Box 406, Lebanon, PA 17042  
Rt. 418 1 mile West of Gettysburg  
717-949-2000

MONDAY-FRIDAY 7:30-5:00  
SATURDAY 7:30-12:00

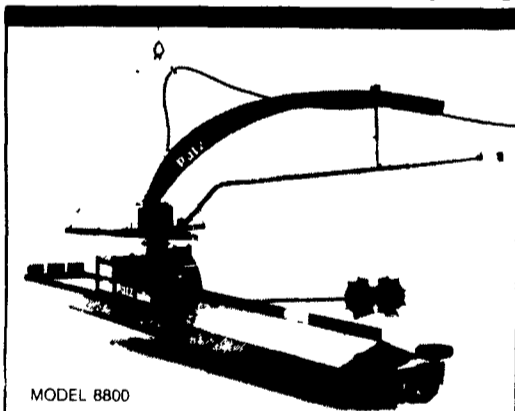
**LANCASTER**

4000 Prutville Pike, Lancaster, PA 17601  
At Route 98 & Prutville Pike  
717-569-2600

PENNSYLVANIA'S LARGEST KUBOTA DEALER

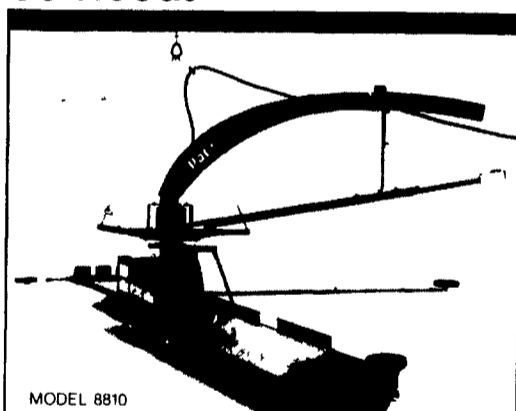
## Patz - The Only Manufacturer Of Augers And Chain That Feature 4 Silo Unloaders To Fit Your Price And Performance Needs

**RUGGED**



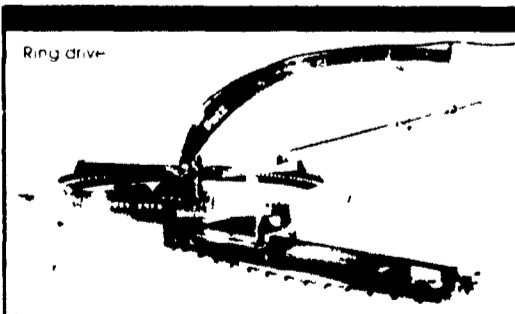
MODEL 8800

**Dual-auger surface-drive  
silo unloader with  
Patz quality**



MODEL 8810

**Dual-auger center-drive  
silo unloader with  
Patz quality**



Ring drive

**RD-820 RING-DRIVE SILO UNLOADER**

Both silo unloaders have a double-hook gathering chain with hardened steel cutters and claws that cut through frozen and packed silage.

\* Silo Unloaders and Gutter Cleaners



**98B SURFACE-DRIVE SILO UNLOADER**

### SEE YOUR NEAREST PATZ DEALER

**ALEXANDRIA**  
MAX ISENBERG  
814-669-4027

**BALLY**  
LONGACRE  
ELECTRIC  
215-845-2261

**BELLEFONTE**  
LUCAS BARN EQ.  
814-383-2806

**BELLEVILLE**  
MILLER-LAKE Inc.  
717-935-2335

**CAMP HILL**  
JOHN JONES  
717-737-5737

**ELLIOTTSBURG**  
CARL R. BAER  
717-582-2648

**HAMBURG**  
SHARTLESBURG  
FARM SERVICE  
215-488-1025

**HONESDALE AREA**  
DEVRIEZE FARM  
EQUIP.  
717-729-7988

**KINGSLEY**  
POWERS  
EQUIPMENT  
717-434-2082

**LEBANON**  
CEDAR CREST  
EQUIPMENT  
717-270-6600

**MIFFLINTOWN**  
ZUG FARM &  
DAIRY EQUIPMENT  
717-463-2606

**QUARRYVILLE**  
UNICORN FARM  
SERVICE  
James E. Landis  
717-786-4158

**SHIPPENSBURG**  
WITMER EQUIPMENT  
SERVICE  
717-532-6139

**SOMERSET**  
GROVE EQUIP.  
SALES  
Mark Knepper  
Cliff Lynn  
814-445-8306

**HAGERSTOWN, MD**  
TRI-STATE  
FARM AUTOMATION  
301-790-3698

**KENNEDYVILLE, MD**  
PINDER SERVICE  
CO.  
301-348-5263

**LINEBORO, MD**  
TRI-CO. DAIRY  
EQUIPMENT  
301-374-6616

**WHITEFORD, MD**  
ENDFIELD EQUIP.  
301-838-0480

**POUND, WI**  
PATZ SALES, INC.  
414-897-2251

**DISTRICT MANAGERS**  
Dennis Skibo  
717-664-2333  
Jim Bilski  
814-698-9447