

**MAILBOX MARKET FOR SALE**

24' flatbed- 1 yr. old 12" on center cross members 1 1/2 T&G flooring, used very little \$1850 OBO. Blair Co. 814-793-4243.

2 tractor tires, good year size 13+26 8 ply on wheels about 50% \$125 ea. Berks Co 215-367-7426.

2 winter tread 13" tires, elect. clothes dryer, crocheted afghans, rugs & patchwork wall hangings. Berks Co. 717-933-8128.

860 Schwartz mixer wagon, elect scale, good cond, asking \$6200 Berks Co 717-866-6964

Shelled black walnuts \$5 per pound, mail order possible Cumber Co 717-776-4523

Carriage 4 brakes 12 volt green int 1500 Eskipoo puppies Levi Zook, 3438-A Harvest Dr., Gordonville, Pa 17529. Lanc Co

1980b Ford F-250 4 wheel drive auto fiberglass topper lock out hubs no rust, no dents 717-345-2488.

JD semi-mounted 1350-1450 6-16- trip plow, \$1250, JD 3 btm. trailer plow hyd. lift \$450, trip plow, JD 407 rotary trailer mower 8 ft. wide, \$850. Roland Hackman, RR 3 Box 536, Lewisburg, Pa. 17837.

Top quality hay, not rained on, custom feed for sheep or cattle. Hilltop Haven. Howard Co. 301-854-6741.

1920 Model T Chevy 1-ton truck 99% orig excel cond., drive anywhere \$12000 or best offer. 301-798-6263.

Reg. walking horse mare, gentle well trained, also gentle gelding for sale, \$1500 ea. Lanc Co 215-445-5372 for details

Favorite egg collector parts, 10x60 & 12x70 mobile homes, ceiling hung gas heaters, egg packing supplies ctns., etc Lanc Co. 717-684-5239.

2- IBM copier II's, extra supplies & maintenance records, \$300 OBO Sullivan Co 717-924-3756

Duraliner for longbed S-10 pickup \$120, free fire kindling, also Eskimo dog Leb Co. 717-273-5518.

NH baler #68 w/thrower for parts \$250. 717-273-5770 or 867-1349 eves.

36-90 tobacco shed, 4000 gal. water tank. Aaron Reiff, Dry Tavern Rd., East Earl, Pa. 17519., Goods Mill 897.

8-used tires 16" & 16.5" best offer, 2 flat wagons 8'x18' beds, 6 ton gears, \$500/ea. Lanc. Co. 717-872-8572.

1 pair of new never used tire chains to fit IHC Cub Cadet lawn tractor \$75 OBO. York Co. 717-225-6987

JD 420 crawler w/JD loader in real good cond., \$4,500 Lanc. Co. 717-733-0511.

JD 1209 mow conditioner good cond., \$1500 Yates Co NY. 716-554-3106

Mack end 673 engine & trans good running cond., already out, \$600 OBO Dau Co 717-566-8689.

1979 Diesel Oldsmobile Cutlass, 1 owner, good running cond., body in good shape \$500 Chester Co Best after 6 p.m. 215-347-2175

2- 11 00-16 3 rib 6 ply Firestone tires on 6-lug 8" JD rims \$40 ea 2/3 tread. Wanted coal stove Berks Co. 215-856-1103.

55'x8" transport auger PTO like new \$2500, 1957 GMC truck 26,000 GVW runs good cond Chester Co 215-286-6918.

1 pr 2 coming 3 yr. old nice blonde sorrel Tenn. molly mules gentle & broke around all farm machinery, 2 pr. 3&4 yr. old jacks broke. Leb. Co. Stephen G. Lantz, 305 Iona Rd., Lebanon, Pa. 17042.

2 row 3 Pth. cult., IH 3 btm. F.H. plow, both in good cond. Wanted 38" tractor tire. Sch. Co. 717-467-2609 after 6:30 p.m.

AKC Boston terrier puppies & 1 AKC miniature Schnauzer puppy. North'd. Co. 717-286-1024.

Mobile home 1971 12x60 fair liveable cond., finished new house priced to sell \$1,000. Berks Co. 215-367-9879.

1981 Olds Cutlass Supreme V8 auto AC, very good cond., \$2495, OBO, 2 Jersey heifers \$850 OBO. Lanc. Co. 717-653-8703.

2- 1977 Toyota Celica hatchbacks, 1 runs & 1 for parts, both for \$500. Chester Co. 215-383-9668

Yamaha XT 200 1981 needs work or great for parts as is \$75. Montg. Co 215-584-8122 anytime (firm)

504 Int. 700 hrs., 90% rubber 2001 loader manure fork manual trip 3 pt front hitch, \$5200 delivered. Snyder Co 717-837-3745.

Service age Jersey bull good built \$550 OBO Lanc Co. Alvin Beiler, 32N. Little Britain Rd., Quarryville, Pa 17566

Case 1690 tractor 2000 hrs., standard & hi-crop kits \$9000. Lacka Co. 717-587-1271, 586-1921

Truck chains fit 10.20-22 singles & duals, Surge SP22 vacuum pump, metal frame windows, various sizes. Adams Co. 717-677-8789

Wheat straw \$65 a ton, very nice, also EZ-Flow Gravity bin wagon w/Cobey running gear. Sch. Co. 717-682-9233, 682-3874 asked for Bob.

2 Holstein/Hereford cross yearling heifers, between 500 & 600 lbs. ea., not bred. Schuyl. Co. 717-345-3984 eves.

Tobacco press 3 parts for 609, also minnie press, 275 gal. fuel tank. Lanc. Co. 717-354-6602.

JD operation, repair, farm machinery, 10th, 12th, 21st editions, \$25 ea., pocket ledgers 1929, 1945, 1949, \$15 ea. 716-554-6479

Farmall 100 tractor w/all six implements \$2200, mounted 2 btm plow for Farmall C \$175 Montg Co 215-489-7818.

F2L-712 22 hp Deutz diesel w/clutch shows some age \$500 or make offer. David E. Blank, 170 Blank Rd., Narvon, Pa 17555.

Feed oats, 2 HP elect. motor \$75, 3/4 HP 3450 RPM elect motor \$100, IH grain drill \$250. Perry Co 717-444-3968

New 1500 MW round hay baler, also plastic wrap, complete oats straw hay 814-267-4953

JD tractors model A, B, 70 diesel & 70 gas, IH 3514 loader-backhoe Northampton Co. 215-253-4263 after 7 p.m.

Indian peafowl- peacocks, 1990 hatch blue, pied & white avail. Richard E. Burger, Newark, DE. 302-994-0508.

White 704 4 row narrow corn head good cond. Jefferson Co. 814-427-2248.

A-C-B plow cult., JD 2 btm. plow 2 row IH corn planter, 9-ton trailer, IH MF grain drill, Cub Cadet, 10 HP. 215-767-2217.

2-way plow for AC, Killbros gravity wagon, JD 4-R plate planter, 42' elevator w/ motor, Behlen wire corn crib, Oliver husker 1-R picker, 1956 Int'l PU, used refrigerators (3). Montg. Co. Md 301-349-2516.

**Lancaster Farming, Saturday, January 5, 1991-F27**

Northfield uni-pt. radial saw x 36 AF 16" 5 HP, JD 70D. Warren Co. 201-453-2491.

Puppies black & white mother border collie purebred good farm dogs, \$25 ea. weaned. Cecil Co Md. 717-398-2751.

Used Menn. 2 seat carriage, make offer, can deliver to Lanc. Co., also 35 Amp. Nu-Tech plasma cutter Bedford Co. 314-766-3591

Consigning 4 Berkshire Bred Gilts to 1991 Pa Farm Show to be sold on Monday, Jan 7 at 10:00 AM D J Grumbine & Sons Call 717-866-6218 or 717-272-4641

For Sale BK wood-burning boiler supplemental heating furnace, 150,000 BTU's w/domestic hot water attachment, \$300 Berks Co 215-682-7065

Meyers 225 bu manure spreader, used daily good cond Warren Co NJ 201-454-4963 or 454-1618

1984 JD 4850 FWD 20 8x38 radials, cab & air, triple remotes, quick hitch w/1500 hrs., excel cond., \$45,500, 1987 JD 2955 FWD, w/roll bar, canopy, 18 4x38 tires, 2 remotes, 1200 hrs., excel. cond., \$22,500. Gary Schumann 603-826-3904 after 6 p.m.

Cat 951C, new chains, rollers, g-plugs, radiator, oil cooler, final drives, hyd. pistons repacked, pinned, bushed, \$20,500. Somerset Co. 201-722-5399.

NI 323 1R corn picker \$2500, IH 2 bottom trailer plows \$75. Bradford Co. 717-746-3224 after 5PM.

JD M circa 1946 needs work, good parts tractor. Also old A.. Burf. Co., NJ. 609-953-3601.

Home Comfort wood coal range 10-A NI manure spreader. Reg. Percheron horses Used horse equip Fred. Co., Md 301-845-8650 after 6 p.m.

52 gal. hot water heater used 2 yrs. Ideal for milk-house, very good cond., \$125. Lanc. Co. 717-442-9549.

6' Case stalk shredder \$150, four 4 lug Ford alum. mag wheels 14" \$150. North'd Co. 717-758-3387.

Riteway wood/coal stove \$250. Heats large area, all-niter, takes 20" pieces, good cond. Berks Co 215-929-0648 9AM-9PM.

45' storage trailer \$400 1964 Chev dump truck rough \$400 79 Ford cab 9000 \$700 Lanc Co 717-548-2286

Saddlebred carriage horse traffic safe, 7 yrs old, 16 H Levi M Hoover, 1627 Center Church Rd., East Earl, PA 17519

1975 Mack R model 18' flatbed dump 33,000 GVW inspected Also DM cab hood radiator front axle fuel tanks Lanc Co 717-898-0271

Thickness planer 26" \$1250, belt pulley for Farmall Cub \$75, Caterpillar D2 bulldozer \$2650 Flemington, NJ 201-782-3391

Lindsay home water treatment system 2 fiberglass tanks w/control heads for iron filtration and pH \$75 Chester Co. 215-983-9550 eves.

1985 Snowmobile Yamaha Pfazer good cond., \$1500 Northampton Co 215-868-9259

White 2-135, 2900 hrs., C/A w/new Q/T 1185 loader, made for large tractors 104" bucket, \$21,000 or will separate 607-838-3318

Surge 15 KW PTO alternator mounted on trailer good cond., \$1150. Lanc Co. 717-653-4470.

Standardbred buggy horse trotter, traffic safe, 10 yr old, \$550. Lanc. Co. 717-354-5696

Oliver 3-16" plow on rubber w/lift cyl. excel. cond., w/ extra parts Gloucester Co. 609-478-6090 after 6 p.m.

Firewood for sale, seasoned & split, wild cherry & some mixed. Lanc Co 717-786-3306 eves

Wheel horse sub 400 mower deck, Herc power unit parts, tin, transmission, fly wheel, gas tank York Co 717-741-0274

Eskimo pups \$30 a piece Wanted Male peacock Write to Christian S Miller, 1105 Vintage Rd., Quarryville, Pa 17566

Scale Marting single animal 400 lb needs paint asking \$400, 1000 lb platform scale \$75 old but it works Hunterdon Co 908-782-3179

Arctic Cat 1987 snowmobile good cond., low mileage Montg Co 215-233-1030.

Good roads 10' 2 way power angle snow plow, all brackets & hyphnics inc. for heavy tk. 717-284-4505.

Myers pump jack, cattle head gate. Lanc Co 717-733-2764.

Cub w/belly mower \$2100, M-M super 4 star \$2100, 10' trans. disc nice \$1000, Int. 8' pull disc, \$200. Carroll Co. Md. 301-374-6493

Round locust posts 7' long, also cut your own firewood \$10 pickup load. No Sunday calls please Perry Co 717-789-4242.

Snow plows to fit JD B \$200, JD M \$150, AC \$75, front blades for Ford MF \$150. York Co. 717-292-4416.

Snow geese blue \$90, white \$100, barnade geese \$135, cacklers \$135, male humes bartailed pheasant \$50. Berks Co. 215-683-8426 after 8 30 p.m.

Oliver 770D, bad nng gear, good engine, 3 pt. hitch, wide front, whole or parts, 88 rear end. Fayette Co 412-438-4836.

**MILK. IT DOES A BODY GOOD.™**

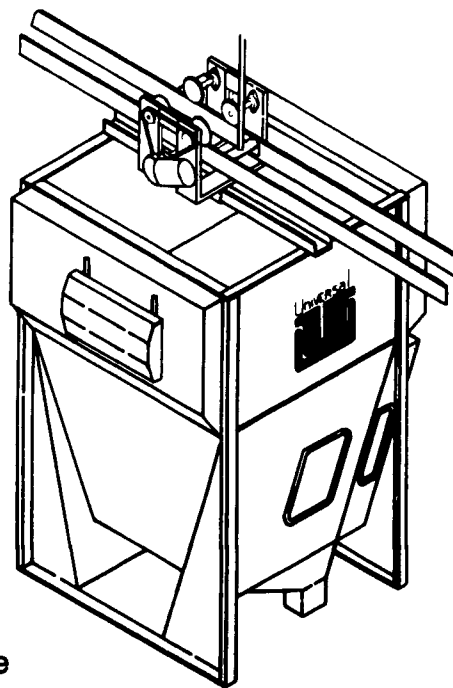


MIDDLE ATLANTIC MILK MARKETING ASSOCIATION INC

# Universal® Commander Feeder

**NEW!**

- traveling computerized feeder for confinement barns
- helps lower feed costs and improve production
- moves on clogproof track to serve both sides of barn
- dispenses up to 3 feeds with precise measuring and monitoring
- interfaces with your computer at any remote location
- built to take years of punishment



Available only at participating Agway locations.

- |   |  |   |
|---|--|---|
| Vic McMillin<br>Conneaut Lake, PA<br>814-382-3216 | Curt Cassady<br>Lititz, PA<br>717-626-1065 | Bill Knisely<br>Warriors Mark, PA<br>814-692-4110 |
| Arnie Decker<br>St. Thomas, PA<br>717-369-3607    | Ken Whipp<br>Thurmont, MD<br>301-751-1130  |   |

**AGWAY Farm Values**

**KENCOVE FARM FENCE**  
1-800-245-6902  
See Us At Farm Show - Main Bldg. #499  
Kencove Fence is  
• Strong  
• Lasting  
• Economical

**EXPRESS WAGON FARM SHOW SPECIAL**

9 Models To Choose From

- Wheels & Casters For Feed Carts And Sputnicks
- Fore Carts • Hydraulics 717-786-9494

**PAUL'S WELDING SHOP**  
Paul Zook  
1248 Georgetown Rd., Christiana, PA 17509  
Between Greentree and Bart on Rt. 896

**PARS: GROWN**  
(POSITIVE APPROACH for REVITALIZING SOILS)  
THE MARK OF QUALITY

Distributors Of:

**CUSTOM FARM SEEDS**      **HOMOGENIZED LIQUID NA-CHURS FERTILIZER**

See Us At The Atlantic City Vegetable Show Jan. 15-16-17  
Hershey Vegetable Show Jan. 29-30-31  
Not Able To Be At Farm Show

Products easy-to-use and safe-for-consumer, wildlife, and environment-products excellent for Foliar, Potted Plants (Greenhouses) or Starter solutions and for soil needs, such as Calcium, N,P,K, and trace elements.  
Call 717-367-2667 or 367-1635