

Take Good Inventory Over Winter

EDWARD J. WOODS
Washington Co. Agricultural Agent

An area of our operation that is very important at this time of year is inventory. With the close of the year most of our farmers close out their records for the year. This means that if you are going to have a farm analysis made, you should take inventory of all your supplies.

You'll need this to do any kind of farm analysis, because the amount of grain, hay and other supplies that are in storage will vary from year to year, and unless this is taken into consideration, you cannot have an accurate analysis of your year's operation. So, as accurately as possible, record the amount of hay, grain, feed, seeds and fertilizer that are on hand. This is the first step in an accurate farm analysis.

Check Fire Extinguishers

This is the time of year that our

barns and other buildings are filled to capacity with hay, straw, grain, and machinery. We want to make certain that fire extinguishers are mounted in each building, including your home.

The first step is to have the extinguisher; the second step is to be sure they are in good working condition; the third step is to be sure that all members of the work force and family know where they are and how to operate them. In many cases, a good fire extinguisher can help control a fire until the fire company arrives. And finally, be sure they are checked and filled with the proper chemical.

Understand Soybean Feeding Value

A soybean is not a soybean according to a feeding value study conducted by Penn State. The study, which looked at over 150 soybean samples grown across the state between 1988 and 1989,

indicates that the feeding value of soybeans is quite variable.

The study looked at the oil content and protein content of Pennsylvania grown soybeans. The oil content of the beans ranged from a high of 21.9 percent to a low of 15.3 percent.

While the average protein content of the beans in the study was above the book feeding value of 40 percent, it also had a wide range. The highest protein level

reported by the study was 43.8 percent and the lowest was 30.1 percent. Livestock feeders who are feeding soybeans as a source of protein should have a feed analysis before attempting to balance a ration.

Caring For Holiday Plants

Flowering plants are always welcome gifts which helps make the holiday season more festive and meaningful.

Many of these plants have

superb flowers which last for days or even weeks if given proper care. Their long-lasting qualities make them excellent choices for office buildings and homes.

Some pointers:

- Give them bright light, not direct sunlight.
- Give them cool temperatures.
- Keep them out of drafts.
- Keep soil moist, but not soggy.
- Remove faded blooms.

Corn Growers Support Credit Line To Soviets

WASHINGTON, D.C. — President Bush's announcement on December 12 to issue from \$500 million to \$1 billion in credit to the Soviet Union for the purchase of U.S. agricultural products was strongly supported by leaders of

the National Corn Growers Association (NCGA).

"The President's announcement is a beginning for increased corn sales to the Soviets," said NCGA President Jack Kintzle, a Coggon, Iowa corn grower. "I was hoping

the amount of credit would be much more than the President granted, but it is a move in the right direction by the administration."

Kintzle indicated that he expects very little immediate response for the improvement of corn prices, because he feels the trade has already factored in the announced credit level to the Soviets.

"With the temporary waiver of the Jackson-Vanik amendment to allow credit guarantees for U.S. agricultural products, the longer term trade outlook with the Soviets seems somewhat brighter," Kintzle said. "The temporary waiver appears to indicate the U.S. has confidence in the Soviet economy and the emigration changes taking place.

"I am pleased that the President responded to the thousands of farmers, including NCGA members, who have called for action on the Soviet credit issue," Kintzle said. "It proves to me once again that grassroots concerns are being addressed by the president."

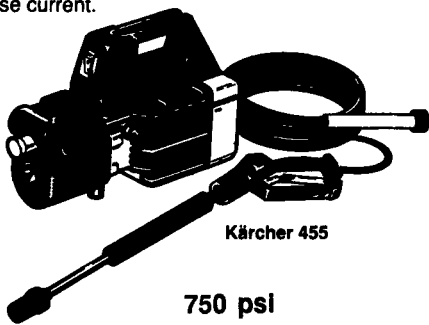
Fall Clearance Sale High Pressure Washers

Portable Cleaning Power

Kärcher, the world leader in pressure washers, lets you take cold water, high-pressure cleaning wherever you need it. With Kärcher's portable Model K 455, you get a big value for a very small price!

- Cleans car, home, patio and pool quickly and easily
- Powerful and lightweight, weighs only 25 pounds!
- Cold water economy with no water waste. Saves up to 85% water versus garden hose.
- Adjustable controls for solution spray or clear rinse
- Uses standard house current.
- 750 psi

Keeping America Clean



Kärcher 455

Reg. \$395.00

750 psi

Special **\$188⁰⁰**

Portable Cleaning Power

Kärcher, the world leader in pressure washers, lets you take cold water, high-pressure cleaning wherever you need it. With Kärcher's portable Model K 570, you get a big value for a very small price!

- Special brush attachment makes tough cleaning jobs easier
- Built to last by Kärcher, famous for quality and reliability
- Cold water economy with no water waste. Saves up to 80% water versus garden hose.
- Uses standard house current.
- Powerful and lightweight, weighs only 33 pounds!
- Variable pressure from 150-1000 PSI at 2.1 GPM.

Keeping America Clean



Kärcher 570

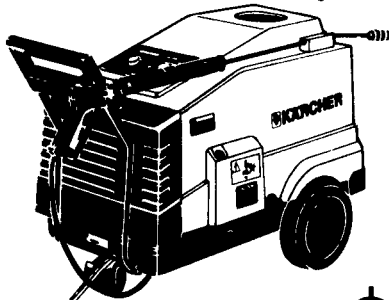
Reg. \$530.00

1000 psi

(Factory Recond.)

Special **\$288⁰⁰**

FULL FACTORY WARRANTIES



HDS 550C
the new compact hot-water high-pressure cleaner
2.4 gpm
1000 psi

Reg. 2595.00

Special

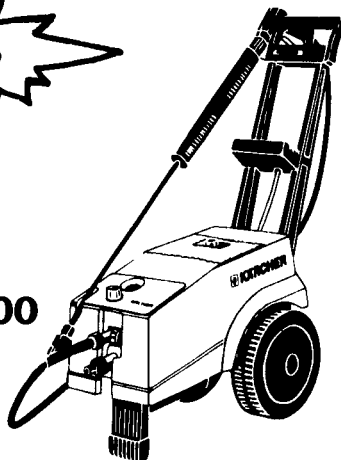
\$1595⁰⁰

**Quantities Limited
First Come, First Served**

Reg. \$1395.00

Special

\$895⁰⁰



HD 750 WS
Mobile high-pressure cleaner for all purposes!
Robust. High Performance
3.0 gpm
1500 psi

**ALSO: Demo Models
Rental Units**

**Reduced Up To
50% Off Of List**

Kochel Equipment Co.

Rt. 23
Elverson, PA 19520

PA 800-922-9680 215-286-5519

CUSTOM MADE FEED BINS FOR FARMS — FEED MILLS



- Made of 13 gauge Steel
- All welded seams
- Gravity Flow or Auger

Free Estimates

Also - Steel Roof Trusses for Buildings - Portable Hog Buildings - Bucket Elevators - Grain Augers - Distributors - Flow Pipes & Accessories

**We Sell, Service & Install
Ph: 717-345-3724**

STOLTZFUS WELDING SHOP

Owner - Samuel P. Stoltzfus
RD 3, Box 331
Pine Grove, PA 17963