

FOCUS

Pennsylvania
Dairy Herd
Improvement Association

Call 1 800-DHI-TEST for service or information

Pennsylvania DHIA Field Services

Director of Field Services for PA DHIA, Herman Espy, reports that while total PA milk cow numbers are down from 1989 figures DHIA shows an increase in total number of cows enrolled in the program. The latest market analysis map shows a county by county listing of herds and cows and also the number of herds and cows on DHIA test. PA DHIA divides the state into five regions. The following figures reflect the activity in each of those regions.

PENNSYLVANIA:
1988-1989, Total Cows 717,000;
1989-1990 Total Cows 698,000.

In the same period of time, comparing 11-1-89 to 11-1-90, we have gone from 5,989 herds to 6,095 herds with cow numbers going from 339,272 to 343,377.

REGION 1: Total cow #'s went from 87,000 to 85,200; Total DHIA cow #'s went from 33,379 to 34,927 An increase of 1548 cows on test.

REGION 2: Total cow #'s went from 166,100 to 165,200; Total DHIA cow #'s went from 75,666 to 77,257 An increase of 1591 cows on test.

REGION 3: Total cow #'s went from 158,500 to 154,400; Total

GOT AN IDEA FOR A SERVICE IMPROVEMENT, OR A NEW SERVICE? WHY NOT TEAR OUT THIS FORM AND SEND IT TO THE PA DHIA SERVICE CENTER, ATTENTION GENERAL MANAGER AND LET US KNOW WHAT YOU NEED.

Dear PA DHIA General Manager
I could use the following if you can produce it:

You can contact me for details at the following:

Name: _____

Address: _____

Herd Code: _____

Telephone: _____

DHIA cow #'s went from 69,548 to 67,248 A decrease of 2300 cows on test.

REGION 4: Total cow #'s went from 202,300 to 196,200; Total DHIA cow #'s went from 99,901 to 99,741 A decrease of 160 cows on test.

LANCASTER: Total cow #'s went from 103,100 to 97,000; Total DHIA cow #'s went from 56,777 to 58,802 An increase of 2,025 cows on test.

Verification Testing

One function of the field services division is check testing to verify production data across the state. If you have been check tested this year you probably were doing nothing wrong and most likely you were doing something very right. Verification testing applies to all record plans 00 through 39, and in most cases it is for certification of exceptional records. When an animal has exceptional production, she also has potential value and that value is increased when the record is verified as accurate. Last year as a routine procedure, all herds with high herd averages were verified. Thirty of the forty-five most recent high herd check tests were done immediately following the regular supervisor's visit. The Rolling Herd Averages (RHA's) averaged 22,810 Milk 841 Fat. Regular test day per cow average was 65.9 lbs. milk and 3.7 % fat. The results of the verification test were very close at 66.1 lbs. milk and 3.7% Fat. For the high herd verification tests not following the regular supervisor, test day milk weights averaged 64.8 lbs. and 3.8 lbs. fat, and the check test weights averaged 64.3 lbs. milk and 3.8% fat.

To satisfy Quality Certification requirements established by NCDHIP, several more herds were randomly selected for verification. The purpose of these tests is to determine the accuracy and completeness of DHIA services throughout Pennsylvania. Missing, inaccurate or incomplete information can come to light through these tests. Occasionally, a problem comes up that requires a check test to help clarify or remedy a situation. Pennsylvania dairymen are to be commended for their cooperation and for doing so many things right. Exceptional production records usually come from exceptional management in

(Turn to Page 21)

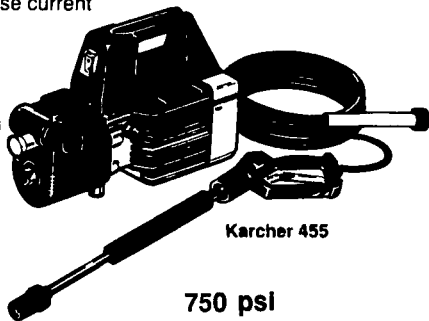
Fall Clearance Sale High Pressure Washers

Portable Cleaning Power

Karcher, the world leader in pressure washers, lets you take cold water, high-pressure cleaning wherever you need it. With Karcher's portable Model K 455, you get a big value for a very small price!

- Cleans car, home, patio and pool quickly and easily
- Powerful and lightweight, weighs only 25 pounds!
- Cold water economy with no water waste. Saves up to 85% water versus garden hose.
- Adjustable controls for solution spray or clear rinse
- Uses standard house current
- 750 psi

Keeping America Clean



Karcher 455

750 psi

Reg. \$395.00

Special **\$188⁰⁰**

Portable Cleaning Power

Karcher, the world leader in pressure washers, lets you take cold water, high-pressure cleaning wherever you need it. With Karcher's portable Model K 570, you get a big value for a very small price!

- Special brush attachment makes tough cleaning jobs easier
- Built to last by Karcher, famous for quality and reliability.
- Cold water economy with no water waste. Saves up to 80% water versus garden hose
- Uses standard house current
- Powerful and lightweight, weighs only 33 pounds!
- Variable pressure from 150-1000 PSI at 2.1 GPM

Keeping America Clean



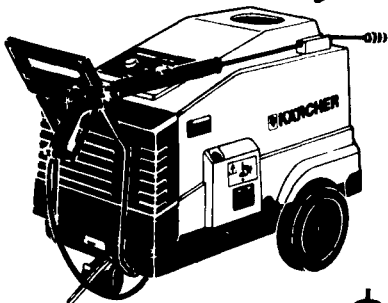
Karcher 570

1000 psi

Reg. \$530.00

Special **\$288⁰⁰** (Factory Recond.)

FULL FACTORY WARRANTIES



HDS 550C
the new compact hot-water high-pressure cleaner
2.4 gpm
1000 psi

Reg. 2595.00

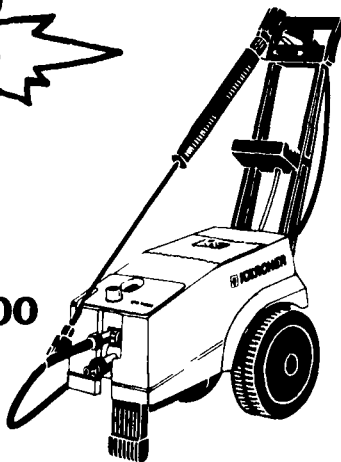
Special **\$1595⁰⁰**

**Quantities Limited
First Come, First Served**

Reg. \$1395.00

Special

\$895⁰⁰



HD 750 WS
Mobile high-pressure cleaner for all purposes!
Robust. High Performance
3.0 gpm
1500 psi

Kochel Equipment Co.

Rt. 23
Elverson, PA 19520

PA 800-922-9680 215-286-5519

**ALSO: Demo Models
Rental Units**

**Reduced Up To
50% Off Of List**

SUPER BOWL

ENERGY FREE WATERER

the MOST ADVANCED Design In Livestock Waterers!



LOCAL DEALERSHIP AVAILABLE

WE SHIP VIA UPS ANYWHERE

- A MODEL FOR EVERY NEED — 1, 2 AND 4 OPENING
- UNIQUE HINGED DOOR CLOSURE — EASY TO OPERATE
- LOWEST PRICES — BUY DIRECT AND SAVE
- SUITABLE FOR ALL ANIMALS — COWS, CALVES, SHEEP, HOGS ETC.

U S AGRI-SYSTEMS, INC.

1-800-222-2948