

Reward Offered To Combat Farm Insurance Fraud



York County Farmers' Association president Tom Wolfe, left, of Seven Valleys, and Pennsylvania Farmer's Association Insurance Service agent Tim Dyer display the reward sign available to farmers through PFA's Rural Loss Prevention Program.

CAMP HILL (Cumberland Co.) — The Pennsylvania Farmers' Association (PFA) is offering a reward of up to \$10,000 to help combat rural crime and insurance fraud.

Announcing the program, PFA president Keith Eckel said, "Farmers are finding out that property insurance is getting harder to obtain and is becoming more expensive. Some insurance companies have dropped the line of business completely because of excessive losses, sometimes due to fraudulent claims. The unfortunate result is that honest farmers who want to protect their hard earned investments in buildings and equipment are faced with paying higher premium costs for

coverage."

Eckel explained that the PFA Board of Directors recently approved the reward program on the belief that a lot of property insurance losses resulting from arson, theft or dishonesty can be eliminated.

"That's why PFA, along with the Highland Mutual Insurance Co. of Berlin, and Great American Insurance Companies, Farm Division, Kansas City, Kan., which are helping to underwrite the program, are willing to put up to \$10,000 on the line to tackle the problem and protect insured farm property," Eckel said.

William Deeds, manager of PFA's Insurance Service, emphasized the need to keep property insurance available to farmers. "Companies writing farmowner's insurance are finding it difficult to continue doing so in Pennsylvania," he said, "Companies like INA, Fireman's Fund and The Travelers Companies have dropped out of offering farmowner's insurance here in the last few years."

Deeds said, "According to insurance industry reports, companies writing farmowner's insurance in Pennsylvania have had an

(Turn to Page A36)

Syri-Con Precast Concrete Corp.

477 E. Farmersville Road

New Holland, PA 17557

717-355-2361

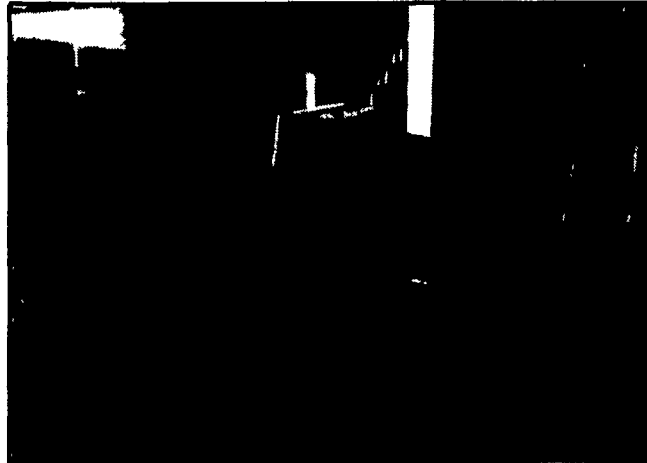


"Waffle Cattle Slats"

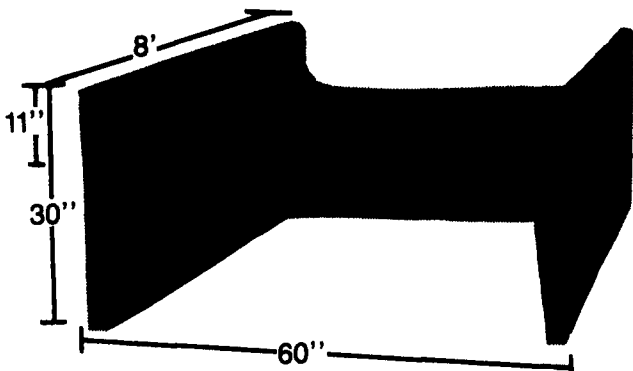


Waffle Heifer Slats

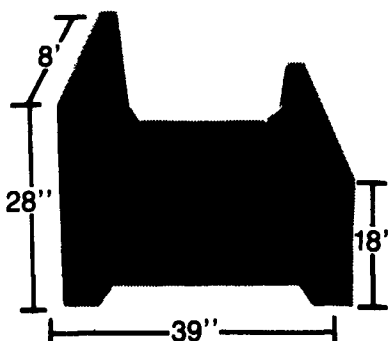
The only concrete slat with Your Animals Comfort In Mind



Waffle Hog Slats Concrete Hog Penning



H-Bunks



J-Bunks

Contact Us For Complete Details On Heifer Cattle, Hog And Free Stall Barns

ATTENTION SMALL BUSINESS OWNERS and SELF-EMPLOYED:

Low cost HEALTH CARE BENEFITS are NOW AVAILABLE In Your Area!

FIRST CLASS Benefit Package CUSTOM Designed To Fit YOUR NEEDS!

ALL PLANS INCLUDE:

- * Group Rates for Individuals
- * Any Doctor - Any Hospital
- * Eyewear Program
- * Prescription Drug Plan
- * Optional Dental Protection
- * \$5,000,000.00 in Benefits

FOR COMPLETE DETAILS - NO OBLIGATION:

Call AMY at (717) 859-4937

BIG PUMP!



LITTLE PRICE!

The first time you use this new shredder pump you'll know it's a real Nesseth! It's all new, it's tough and it features our high-capacity Starburst impeller that rips even the hardest packed material apart to form a smooth homogenized mixture for easy handling.

Convenient, easy to maneuver and built to last.

Nesseth

by J-STAR

★ STAR SILOS ★

717-866-5708
630 E. Lincoln Avenue
Myerstown, PA 17067

After Office Hours Call:
Bob Brubaker 717-464-3136
John Swope 717-933-4758