

**23 HELP WANTED**

Fuel Oil Delivery, Coal Delivery, Equipment Repairs, Fertilizer Spreading or Crop Spraying. Will train for Class 3 Drivers License. Housing Available. F.H. Kreider, 717/898-0129

Wanted: Truck drivers, combine operators, 18 years and older, monthly salary plus hourly bonus. Call after 5 PM 913/483-6492.

**RELIEF HOUSEPARENTS**

Applications are being accepted for the position of weekend relief houseparents at Milton Hershey School, a private boarding school in Hershey. Position requires duty every other weekend assuming responsibility for one of our 87 student residences. Applicants must be married, possess positive moral and ethical values and parenting skills. Contact Human Resources.

(717) 534-3585

**Immediate opening for working manager on broiler farm. Good wages, BC, BS, paid vacation, paid holidays. Housing provided on the farm. 50-60 hour work week. Excellent opportunity for the qualified person.**

Box #R-8 Lancaster Farming  
P.O. Box 609  
Ephrata, PA 17522

**Help Wanted**  
Office Manager needed for a silo, manure handling, and feeding equipment company. Agriculture experience preferred. Send resume to:

c/o Lancaster Farming  
P.O. Box 609 K-208  
Ephrata, PA 17522

Inway Agent: Scott Garrison  
Trucking Inc., Beavertown, Pa.  
Terminal

**TRACTOR TRAILER DRIVERS and OWNER OPERATORS NEEDED**

\$500 to \$700 Weekly.  
Good Benefit Package  
717-658-7134 or  
1-800-776-9634

**EMPLOYMENT OPPORTUNITY**  
Crop Management  
Technician/Consultant

Location: Lehigh and Northampton Counties.

Individual will work under direction of Association Board of Directors and in conjunction with County Extension Agents.

Duties: Collect soil samples; monitor members' fields for weeds, insects and diseases; collect crop production information; assist in crop record keeping and production planning; and advise members on cultural practices.

Prefer B.S. in Agronomy or related fields but will consider associate degree or experience in related work. Computer experience helpful.

Send resume to:  
Northampton County  
Extension Office  
RD #4, Greystone Building  
Nazareth, PA 18064

EASY WORK! Excellent pay! Assemble products at home. Call for information. 504/641-8003. Ext. 8079

Full time position available, for 70-cow herd in Baltimore County, MD. Single person or couple, excellent pay and benefits for right person 301-357-5239.

Herdsmen needed for 40 cow dairy, 20,000 lb. herd average, 106 BAA, AI & references preferred. Harford Co., MD 301-692-6351

HORSE FARM  
MARYLAND

Looking for person with hay experience and machinery repairs. Must have references and be reliable. Housing included 301-798-1596.

Manager Wanted: Oversee R&D 250-head veal farm in Lebanon County. Applicants should have background in animal science and experience in veal raising. Write: GROBER, INC., POB 6477, Lehigh Valley, PA 18001.

Mother's Helper. Narvon area. Babysit children when home from school or ill while mother works. 717-355-9432.

Part time barn personnel, experienced with livestock preferred but not necessary, will train. Good starting wages. Contact 717-442-4181.

Responsible person to manage broiler operation in Pa. Salary, bonus, and other benefits available. Experience required. Send resume to: Lancaster Farming, P.O. Box 609 B-6, Ephrata, Pa. 17522.

A Carpenter wanted for steady help. 717-786-1920 between 6&8:30p.m. only.

Experienced dairy farm helper. Housing provided. Lehigh County 215-298-2417

**CHRISTMAS TREE FARM**  
Honey Brook area. Looking for one farm oriented key person. Permanent, full time, year-round position. Pleasant working conditions. Salary negotiable 215-273-2055

**Day Shift Egg Processing**  
• Line Supervisor  
• Egg Packers  
• Egg Candler  
Apply in person 8 a.m. to 5 p.m. **Esbenshade Farms**  
Eby Chiques Rd  
Mt. Joy, PA  
717-653-8061

**HELP WANTED MOBILE TEXTUREATOR**  
• Full or Part-Time  
• Good Benefits And Wages  
• Should Be Farm-Oriented  
1-800-528-6693  
OR  
(717) 626-8318

**MECHANIC**

Farm Equipment Experience, Preferably John Deere, Hourly Wages Commensurate With Qualifications. Excellent Benefit Package.

Apply In Person Or Send Resume In Confidence To:

**Lehigh Ag Equipment**  
RD #6 Allentown, PA 18106  
Call 215-398-2553

**VERMONT TECHNICAL COLLEGE**  
Agriculture and Business Department  
Faculty Opening

VTC seeks a full-time tenure truck faculty member in the Agriculture and Business Department beginning fall semester 1990 (classes begin August 27). The salary is based on academic background and experience applied to an established salary schedule.

**Responsibilities:** Teaching lecture and laboratory classes in soils and agronomy. Additional teaching in at least one of the following areas: agribusiness, livestock production other than dairy, sustainable agriculture. Curriculum development, student advising, participation in faculty and student affairs and professional development are expected.

**Qualifications:** Master's degree in appropriate field. Teaching experience and work experience in an area related to agriculture is expected.

Send letter of application, resume and the names of three references **no later than June 4, 1990** to:

Steven K. Ingram  
Dean of Academic Affairs  
Vermont Technical College  
Randolph Center, VT 05061  
**EQUAL OPPORTUNITY/AFFIRMATIVE ACTION EMPLOYER**

**LOOKING FOR SOMETHING DIFFERENT?**

3 to 11 & 11 to 7 Part Time Positions  
**COUNTRY MEADOWS OF LANCASTER**

If you want to spend time each week, (not full time, but including every other weekend) helping other families' grandparents, we have an answer for you!

If you like people. But feel you have no "education" or "training" but you are willing to learn with us, and at the same time help our residents in basic ways and needs (eating, cleaning and activities of daily living), then we have a possible answer for you!

If you like to be in at the start of a new project, but don't want or need to work full time, but want to make a difference for older people like your own grandmother or grandfather, we have a possible answer for you!

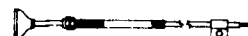
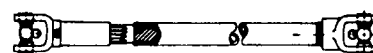
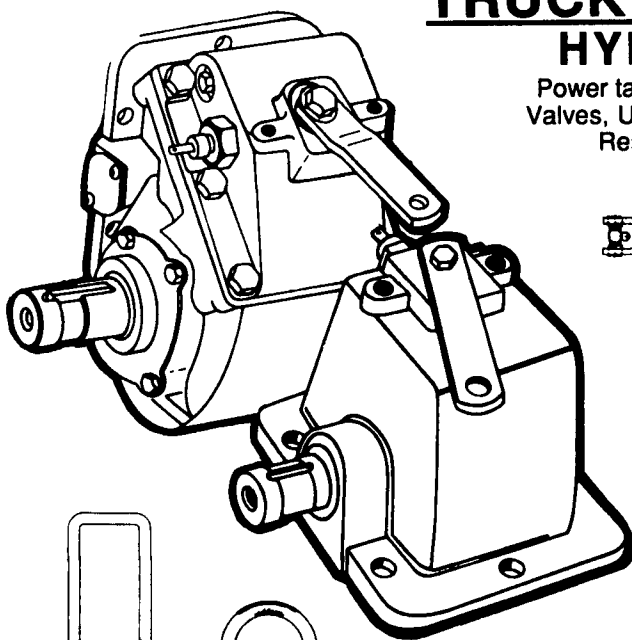
Sound interesting? Want to know more? Call Sallie Martin at 717-392-4100 or apply in person at 1380 Elm Avenue (behind WGAL TV)

She has opportunities meeting all of the above situations as she opens a new 58 unit, air conditioned assisted-living retirement community June 1st. Call and tell her which of these situations fits you and she may just have something you can be very pleased with. What do you have to lose? Nothing except a telephone call, or your time if you drop in!!!

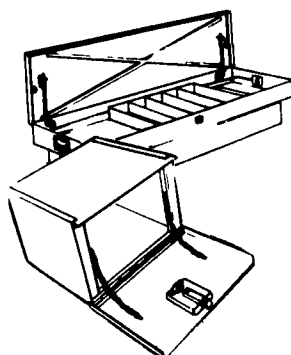
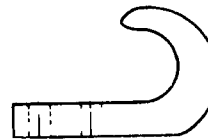
**35 TRUCKS & TRAILERS**

**TRUCK EQUIPMENT HYDRAULICS**

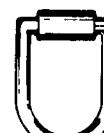
Power take offs, Pumps, Cables, Valves, Universal Joints, Shafting, Reservoirs, Cylinders



**TOW HOOKS**  
Light & Heavy Duty



- TARPS
- LIGHTS
- MUD FLAPS
- U-BOLTS
- HINGES
- RATCHET STRAPS
- WINCH STRAPS
- CARGO BARS
- TIE-DOWNS
- TOOL BOXES:
- Under body
- Aluminum & Steel
- Cross Over
- Above Body
- PARTS FOR LIFTGATES



NOW: Stocking Parts For Meyer and Western Snowplows



**Hostetler Truck Bodies & Trailers**  
PARTS DEPARTMENT

Box 577, Milroy, Pa. 17063 • 1-800-441-5161