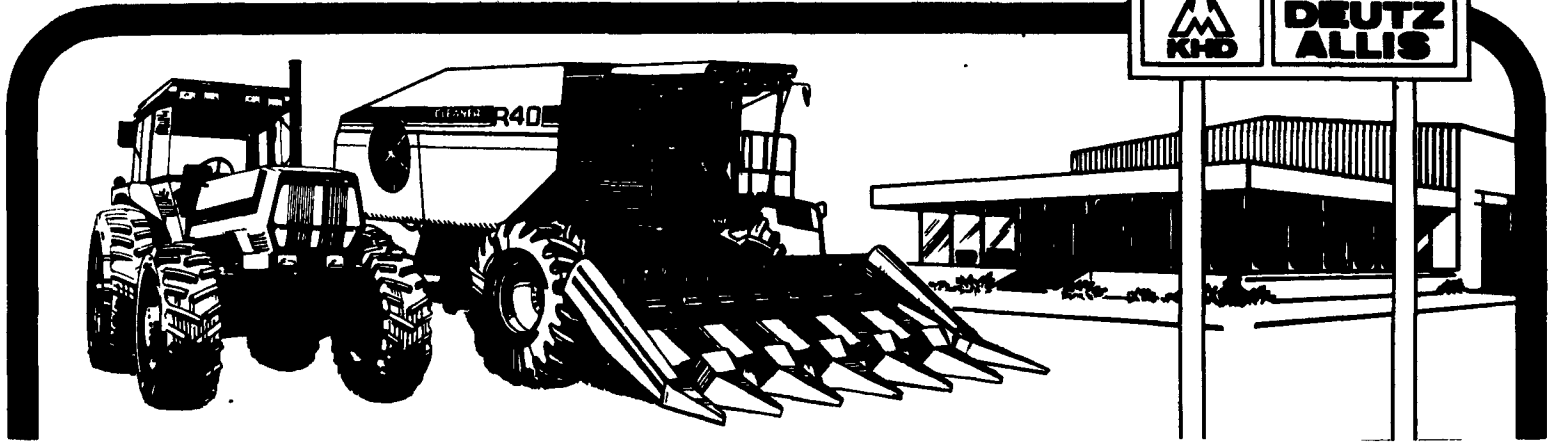
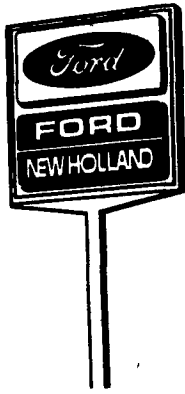


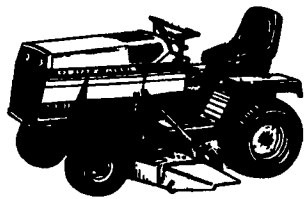
NEW IDEA

"COME ON IN!"



**Thurs. Eve.
"FARMERS' NITE"**

NEW Movies & live speakers with a tractor drawing giving the winner free use of a 40 H.P. to 90 H.P. Deutz-Allis tractor for 100 hrs. during the Spring through 6/30/90.



Take control of the 90's in a new Deutz-Allis 6200, 7100, or 9100 series air-cooled diesel tractor. Twenty four DA tractor models ranging from 40 HP - 200 HP are built with comfort, performance, and reliability to withstand rugged operating conditions but still cut your repair bills. Hook up these powerhorses with quality built Deutz-Allis tillage, planting, hay and implements and you'll be at ease with the best. Examine DA's Gleaner Rotary combines R40, R50, R60, and R70 built with every harvesting size in mind. There's DA's wide array of high performance lawn & garden and compact diesel tractors, work-matched attachments and implements on display for just about any lawn or ranch.

**Fri. Eve.
MOVIES
"live" MUSIC
That Spans
The Ages.**

- ★ "HOT" Refreshments
- ★ Door Prizes
- ★ Films

C.J. WONSIDLER BROS.
(215) 536-1935 or 536-7523
*** OPEN HOUSE ***

At
QUAKERTOWN, PA.
On Trumbauersville Rd.

Thurs. & Fri. - MARCH 22 & 23, 1990
10 AM - 11 PM

10% DISCOUNT

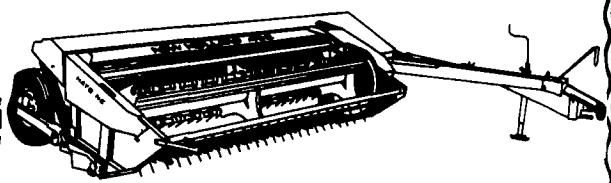
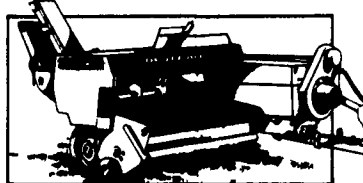
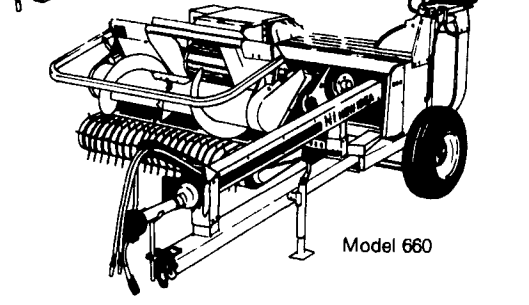
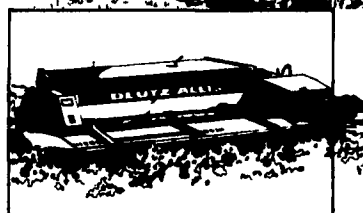
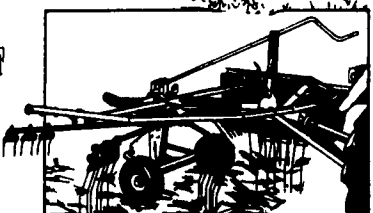
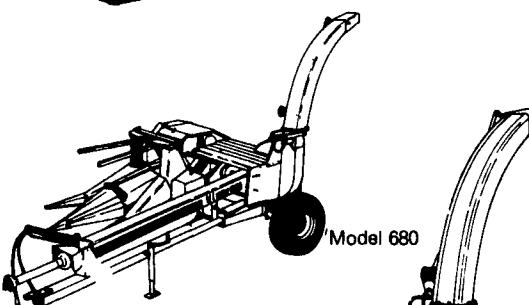
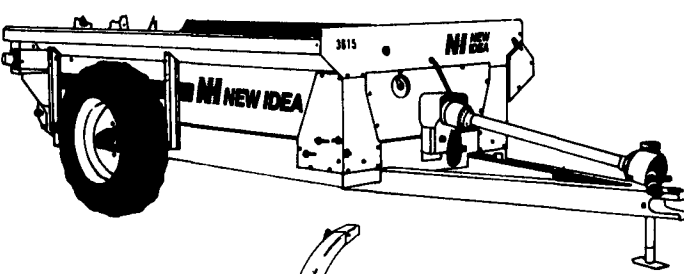
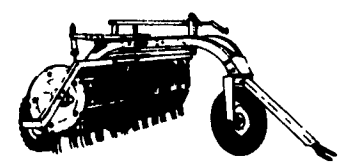
On All Parts Purchased On 3/22 & 23,
If Paid In CASH At Time Of Sale.

**FORD NEW HOLLAND
TWINE**

DEPEND ON IT FOR BETTER
KNOTTER PERFORMANCE
AND FEWER MISSED TIES



Spring
IS ON THE WAY



See how we make hay faster.

**90 YEARS OF
NEW IDEAS**

50
Baler
Anniversary
1942-1990 FORD NEW HOLLAND

**DEUTZ
ALLIS**

25th
Anniversary
HAYBINE

