

**35 TRUCKS & TRAILERS**

**FORD L9000** single axle tractor, Detroit diesel, 10 spd. Road Ranger, air ride, recent engine, \$5,000. 301-833-9091

**FOR SALE:** 1971 Ford 900 with 10 ft. dump bed, good tires, heavy hoist pump, ready to work, cheap. 717-624-8535

**FOR SALE:** 1985 Hi-cube van. Very good condition, low mileage. Call (717)624-3682.

**FOR SALE:** 86 Dodge truck, 318, AT, 32,000 miles, blue, sharp, \$4,995. Hershey (717)533-7345.

**FOR SALE:** Dump truck, tandem, 1970 Ford, 238 diesel, 13 speed, \$8,500. Schuylkill County. (717)754-7445 after 4.

**FOR SALE:** New Leader Lime Spreader, 11 ft. with wide chain two spinners, spread lime, chicken-t u r k e y manure, cheap. 717-624-8535

**FOR SALE:** New flat bed trailers, 76"x14' 7,000 lb. GVW, SPECIAL 10% off, also 76"x18' 10,000 GVW, SPECIAL 15% off, Both very well built w/Tortlex axles w/brakes. Martin Hardware, Schaefferstown, Lebanon Co., Pa. 717-949-6817, 949-2549 DLR.

**Ford XL 350 Truck 1986** Crewcab Dually 4speed Diesel. Loaded. 34K miles w/1987 Chaparell 20ft. Gooseneck stock trailer, 7ft. wide. \$17,500. Bucks Co. 215/343-6882

**FOR SALE:** 1987 38' gooseneck trailer, 18,000 GVW, tandem axle, dual whis., vacuum over hydraulic brakes w/hook up for gas engine, 4' Beaver Tail, loading ramps, set up to haul cars. Martin Hardware, Schaefferstown, Lebanon Co., Pa. 717-949-6817, 949-2549 DLR.

**Garrison Dump Trailer, 26'** aluminum frame and bed, tarp and bows, good condition. \$6,000. 717-922-3340.

**Int. 1975 Cargo Star,** very good condition, approx. 50,000 miles on motor, 3208 Cat, 10 spd., 20' Van body, \$6,000. 703-289-5377

Lancaster Farming, Saturday, February 17, 1990-B36

**For Sale:** Transfer Trailers, all sizes; Demolition Dumps; Used trucks, agricultural dump bodies & trailers, economy grain dumps, rollbacks & log trailers. Keith walking floors, sold & serviced. 814-623-9696 or 814-623-8696

**New 16' Top Cat Trailer** (red), at reduced price of \$3,890. Call 717-597-5611.

**Thermo King reefer units** for trailers, space saver & small hole. 18' truck body, nice. 717-682-4508

'88 Ford XLT Lariat F350, dually, 460 EFI, auto., PB, PS, PW, PDL, cruise, tilt, air, AM-FM cassette stereo, dual tanks, 20,000 miles, black & silver, excellent condition, \$13,900. 717-733-2873

'89 Chevy Cheyenne 2500 HD, 3/4 ton, 350 EFI, auto., PB, PS, AM-FM stereo, 8,600 GVW, maroon & silver, 6,000 miles, like new. \$11,900. 717-733-2873

'89 Chevy Scottsdale 2500, 3/4 ton extended cab, 350 EFI, 4 spd., PS, PB, air, AM-FM cassette, cruise, tilt, red & silver, 9,000 miles, like new. \$12,500. 717-733-2873

'89 Chevy Silverado 2500, HD, 3/4 ton, 350 EFI, auto., PB, PS, cruise, tilt, air, AM-FM cassette, 2 tone blue, 8,600 GVW, 11,000 miles w/balance of factory warranty, excellent condition, \$12,900. 717-733-2873

'89 Ford F-150 Lariat, 4WD, automatic, 302 V8, air, 24,000 mi., \$11,000. Walker's Somerset Co. 814-893-5589.

'89 GMC 3500 1 ton cargo van, 350 EFI, auto., PB, PS, AM-FM, 8,600 GVW, 4,000 miles w/balance of factory warranty, excellent condition, \$10,900. 717-733-2873

'89 Ponderosa Gooseneck Trailer, 2 or 3 horse, slant load, rear tack compartment, 8' dressing room in front. \$5,300 or best offer. Call 717-597-5611.

**CUSHIONED HITCHES AND BUMPERS.** Receiver hitches. Reasonable prices and shipping. 717-865-7240.

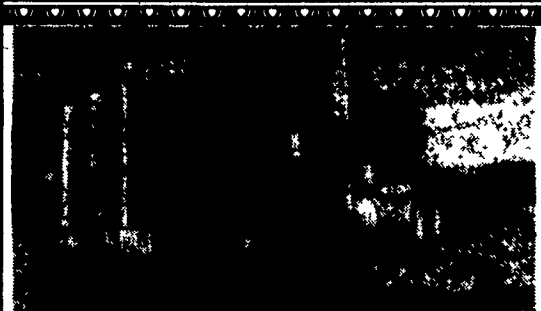
**Beck Trailer, 12' bed,** \$900. Ideal for lawn mower trailer. Call after 6PM 301-329-6757.

**C8000 Ford truck w/24'** Jerrdan Super 10 rollback, new 3208 225hp CAT motor, 5+2 trans., 22" radial tires. \$15,000. (717)532-8616.

**Dump truck, '84 GMC,** 6000, 350 V8, 21,200 GVW, 12' body, removable board sides, coal shoot, tool box, excellent shape, \$12,500. 201-356-4839.



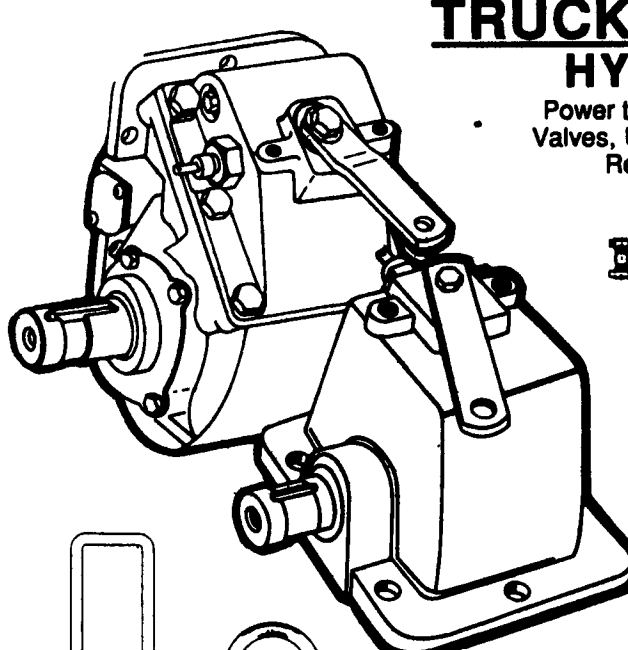


**1979 International Truck**  
engine 446, power steering, front 9000 rear 19000 double frame, 45 gallon gasoline tank, 5SP 2 SP rear, takes 16 or 18 ft. bed \$4,500  
Call 703-896-7350



**1952 Kenworth, 400 S.C. Cummins (20,000 on overhaul), Jake Brake, manual 4x4 transmission, AC. This truck runs strong!**  
**\$8500 OBO**  
**717-569-4092**  
After 6:00 p.m.

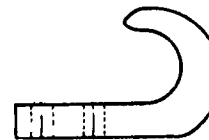

## TRUCK EQUIPMENT HYDRAULICS

Power take offs, Pumps, Cables, Valves, Universal Joints, Shafting, Reservoirs, Cylinders

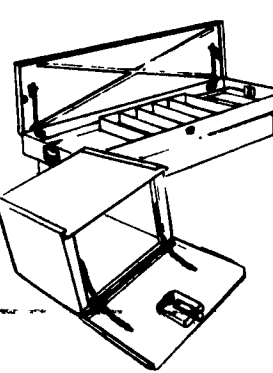





## TOW HOOKS

Light & Heavy Duty

- TARPS
- LIGHTS
- MUD FLAPS
- U-BOLTS
- HINGES
- RATCHET STRAPS
- WINCH STRAPS
- CARGO BARS
- TIE-DOWNS
- TOOL BOXES:
  - Under body
  - Aluminum & Steel
  - Cross Over
  - Above Body
- PARTS FOR LIFTGATES

NOW: Stocking Parts For Meyer and Western Snowplows

## Hostetler Truck Bodies & Trailers


### PARTS DEPARTMENT

Box 577, Milroy, Pa. 17063 • 1-800-441-5161


## McDONNELL DOUGLAS TRUCK SERVICES INC.

Lancaster, PA • (717) 569-2648 • Ray Leed


USED TRUCK CENTER




**85 KENWORTH W900, NTC 400, 15 Spd., P/S, A/C, 8 Bag Air Ride, 36" Sit Down Slpr., Very Clean With Overhaul.....Selling Price \$38,000**




**83 GMC BRIG., NTC 350, 9 Spd., P/S, A/C, Hend. RT380 Susp., Low Miles, Clean.....Selling Price \$19,900**




**85 MACK R680ST, Mack 350, 10 Spd., P/S, A/C, Camel Back ST Susp., Low Miles.....Selling Price \$26,000**



**78 MACK U680ST, Mack 300, 5 Spd., P/S, A/C, Camel Back Susp., Runs Well.....Selling Price \$9,400**



**81 IHC S1854, DT466, 5 Spd., P/S, 20' Reefer Body With Trane Diesel Unit With Std. By, Just Overhauled.....Selling Price \$13,500**



**85 GMC FORWARD, 170 HP Diesel, 5 Spd., P/S, Air Over/Hyd., 30,000 GVW, 22' C&C.....Selling Price \$9,800**

**OTHER MAKES & MODELS TO CHOOSE FROM**

- '89 Chevy 1500 V71, 4x4 pickup, 350, V8, auto, AC, cruise, tilt, 18,000 miles .....\$14,400
- '88 Chevy S10, extended cab, 4x4, 4.3 V6, auto, AC, cruise, tilt, AM-FM cassette, 51,000 miles .....\$9,900
- '87 Chevy Custom Deluxe, V8, 4 spd., AM-FM cassette, 36,000 miles .....\$6,600
- '87 Chevy Beauville 12 passenger van, 350, V8, auto., AC, cruise, tilt, AM-FM cassette, 42,000 miles .....\$9,400
- '87 Dodge power van, 150 LE, 4x4, V8, auto., AC, AM-FM, 45,000 miles .....\$8,900
- '86 Ford Bronco II XLT, 4x4, V6, auto., AM-FM cassette, 32,700 miles .....\$7,900
- '86 Toyota pickup, 4 cylinder, 4 spd., AM-FM cassette, 44,700 miles .....\$4,800
- '86 Dodge Ram 250 Royal SE 8 passenger van, V8, auto, AC, 72,000 miles .....\$5,900
- '86 Plymouth Voyager SE, 8 passenger, 2.6 4 cylinder, auto, AC, AM-FM, 81,900 miles ....\$6,800
- '85 Chevy G20 cargo van, 305, V8, auto, AM-FM, 62,500 miles..\$5,900
- '84 Chevy 10 4x4, V8, auto, cruise, tilt, 83,400 miles.....\$6,600
- '82 Ford Bronco XLT Lariat, 302, V8, auto., 4x4, 79,500 miles.....\$5,900

**Brubaker's Auto Sales**  
Myerstown, PA  
717-866-5237