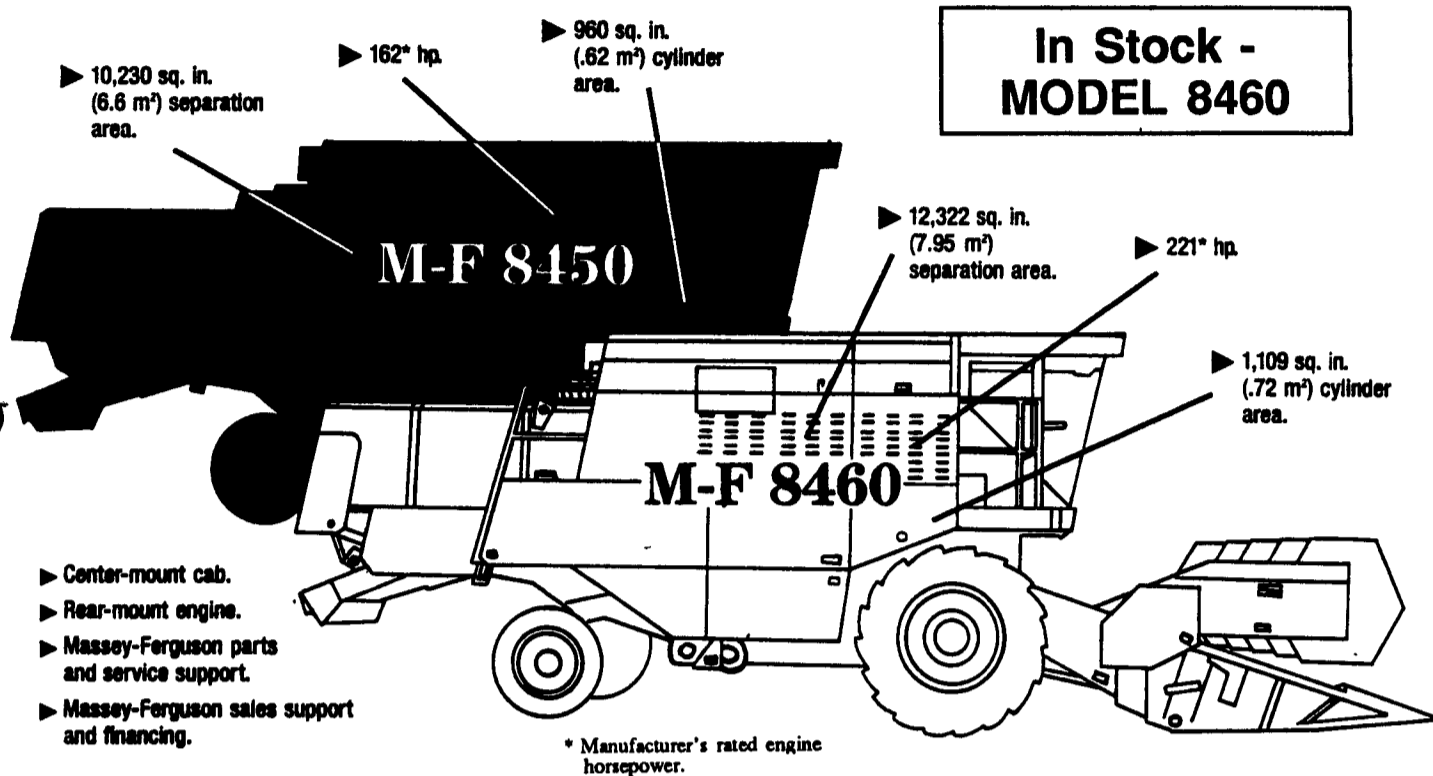


They're Here!

TWO NEW M-F COMBINES



Massey-Ferguson pioneered self-propelled combines many years ago. And ever since Massey-Ferguson combines have been famous for their performance and reliability. The two newest Massey-Ferguson combine models will be available for the fall harvest. And like all the M-F combines before, they're sure to become a legend for their productivity and quality. So don't even think of buying another combine until you've seen the new Massey-Ferguson 8400 Series combines.

SCHMIDT "HEAVY DUTY REBUILT TABLE AUGER"

Damaged Or Broken Combine Table Augers Rebuilt Same As New!

No need to purchase a new auger when you can buy one that's rebuilt! Or have your auger repaired for less than one half of the new auger price!

Rebuilt augers are guaranteed to run true! "They are jig repaired."

We Can Rebuild All Makes Of Augers

Call Now For An Appointment & Price Quotation To Have Your Auger Repaired

NEW AND USED IMPLEMENTS

Tag	Brand	Model	Machine	Sale Price
NB3976	MF	676	Blower	\$2,200
NB3977	Grimm	S-8	Tedder	\$1,620
NB6048	MF	585	P.T. 5-Bar Rake	\$2,350
NB6049	MF	775	Swaiver Auger Head	\$700
NB6053	MF	41	Mower	\$2,250
NB6072	J-Bar	L C 4	Finger Wheel Rake	\$475
NB6074	J-Bar		Disc Mower	\$2,500
UP5153	MF	345	Plow	\$2,500
UP3973	Landoll	875	11' Field Cultivator	\$2,800
UI			Tye Drill	\$8,500
NI5189	J-Bar		6 ft. Box Scraper	\$300
NI5186	York	75	8 ft. 3 pt. Blade	\$1,075
NI5182	MF	1028	48" Box Scraper	\$320
NI3965	Woods	M721	6 ft. 3 pt. Rotary Mower	\$1,050
NI5184	J-Bar		7 ft. 3 pt. Blade	\$295
NI5185	J-Bar		8" HD 3 pt. Blade	\$750
NI5188	Myer	C-8	8 ft. Snow Plow	\$1,400
NI5193	J-Bar		6 ft. 3 pt. Yard Blade	\$380
NI5005	J-Bar		Soil Scoop	\$175
NI5190	Worksaver	EB6-3	6 ft. 3 pt. Blade	\$225
NI5191	Worksaver	RB7582	8 ft. 3 pt. Blade	\$700
NI5192	J-Bar		7 ft. 3 pt. Yard Blade	\$295
NI5194	J-Bar		6" 3 Pt. Yard Blade	\$380
NI5195	Tr. Blazer		3 pt. Bale Fork	\$150
NI5197	Dunham	22	Loader	\$3,350
NI3960	Danuser	MD6	Post Driver	\$1,650
NI3962	J-Bar	Condor	6 ft. Rotary Cutter	\$675
NI3963	Danuser	MS-1	Wood Splitter	\$780
NI3976	Woods Dix	M-5-4	5 ft. 3 pt. Rotary Cutter	\$900
NI3978	EZ Trail	672		\$500
NI3979	EZ Trail	872-W		\$925
NI3980	EZ Trail	1074		\$1,150
NI6056	Danuser		Post Hole Digger	\$675
NP5200	Sovema	L120	4 ft. Rotavaler	\$1,075
NP5108	Sovema	L120	4 ft. Rotavaler	\$1,075
NP3970	Dunham	40	12 ft. Culti Packer	\$1,725
MF 246	Loader			\$3,100
MF 124	Baler w/Thrower			\$2,200
JD 105	Bushel Spreader			\$600
M&W	Auto Reset 5 Tooth Subsoiler			\$5,200
NH 320	Baler			\$4,600
NI 325	Com Picker, 2R 30"			\$4,000
Vico KM 321	Disc Mower Conditioner			\$6,500
Used Brady	Flail Chopper			\$2,900

We Purchased 65 Rental Tractors From Massey Ferguson With Big Savings! Contact Us Now For The Best Deal On Tractors With Low Hours At Used Prices.

USED TRACTORS

	Sale Price		Sale Price
90 HP MF 399 2 WD	\$18,500	31 HP MF 1035 4 WD	\$8,900
90 HP MF 399 3 WD	\$22,000	MF 3165 Indust. Tractor/Loader	\$6,800
80 HP MF 398 2 WD	\$18,100	84 HP MF 1080	
35 HP MF 1045 2 WD	\$8,650	Farmall M w/2R Picker	\$2,000
26 HP MF 1030 2 WD	\$6,700	AC 7000 w/Cab	\$10,000
26 HP MF 1030 4 WD	\$8,000	Ford 2000 w/dr.	\$4,900
31 HP MF 1035 2 WD	\$7,600	JD 2630	\$6,500

USED COMBINES

	Sale Price		Sale Price
MF 750 #5173	\$12,000	MF 1143 Corn Head	\$4,800
1979 760	\$18,000	JD QA 16' Flex Head	\$2,700
410 Combine #1681	\$2,500	JD QA 4R 30 Corn Head	\$3,200
1981 MF 860 Hydro V8 4 WD	\$25,000	JD QA 4R 40" Corn Head	\$3,200
MF 9118 Grain Head	\$6,000	MF 8R 30" Corn Head	\$2,500
MF 205 w/10' Head	\$3,500	1981 MF 860	\$24,000
MF 33 Cornhead	\$1,800	1980 MF 750	\$14,000

Contact Us For A Demonstration On The New 8460 Combine

Tag	Year	Brand	Model	Sale Price
UC4821	74	MF	760 Combine	\$7,500
UC4928	77	MF	750 Combine	\$12,000
UC5931	73	MF	760 Combine	\$10,000
UC5952	80	MF	760 Combine	\$20,000
UC5934	73	MF	510 Combine	\$8,500
UC6001	70	MF	410 Combine	\$2,500
JD 6600			Combine	\$2,000



M.M. WEAVER & SONS, INC.

Leola, PA 17540

(717) 656-2321

Located: 4 miles West of New Holland on Route 23, 1 1/2 miles Northeast of Leola on the North Groffdale Road, 1 mile on the right, opposite Groffdale Mennonite Church.