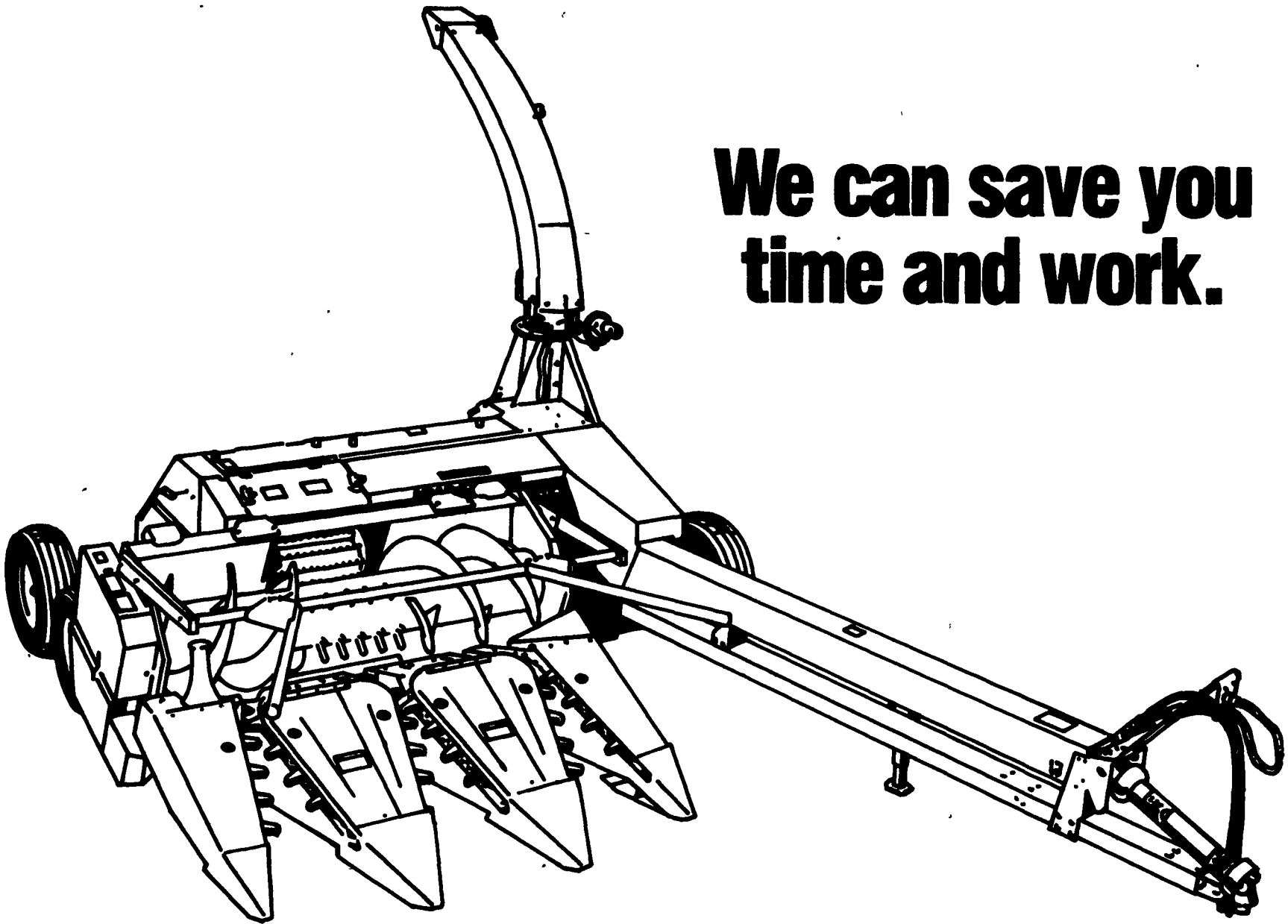


**We can save you  
time and work.**



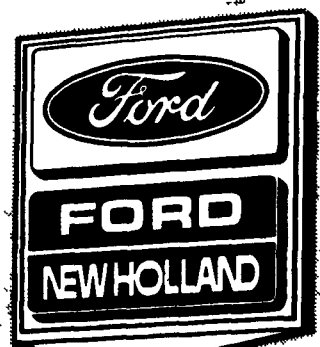
You get total performance when you harvest your crops with a Model 900 forage harvester. Total performance begins at the cutterhead. The 12 knives of the 21-inch cutterhead give you uniformly cut high-quality forage. Other features on the 900 include:

- Metalert II<sup>®</sup> electronic metal detector — protects cutterhead and your valuable animals.
- Electromagnetic clutches — give instant response in controlling feedroll and attachment drives.
- Easy-adjust shearbar — makes adjustment fast and precise.

**Waiver Of Finance  
On New Hay And  
Forage Equipment  
Until  
March 1, 1990**

**Low APR Finance  
On New Hay And  
Forage Equipment**

0%	18 Months	8.9%	36 Months
6.9%	24 Months	9.9%	48 Months
		10.9%	60 Months



**See Your Nearest Dealer  
For Cash Incentives**

**Ford  
Credit**

