

No Open Lesions In Latest TB Test Reactors

BY
EVERETT NEWSWANGER
Managing Editor

HARRISBURG (Dauphin Co.)—Animals sold from the Keystone Guernsey herd at Halifax, where bovine TB was diagnosed last week, also have shown positive reaction to the initial test. According to state officials here at a press conference Tuesday afternoon, one dairy animals in Snyder County and one in Chester County are also reactors in addition to the seven in the original herd. However, on an update yesterday morning the good news was reported from the PDA press office that when the autopsies were done on these last two animals in other herds they found "no gross lesions." This would indicate that these animals

would not likely transmit the disease to other animals or humans.

Dr. Max Van Buskirk, director of the Bureau of Animal Industries, said that one of the mysteries is that the negative test in the original herd a year ago seems to be contrary to the evidence that has shown up in the lesions in the slaughtered animals. "We know the test is not perfect, but it has been quite reliable and served us for a long period of time," Van Buskirk said.

A report circulated at Ag Progress Days this week, indicated that another reactor had been found in the state previous to last week's announcement, but Gene Schenck, press secretary at PDA investigated the report and found that after this animal was slaugh-

tered it was decided it did not have TB.

Also at Tuesday's press conference Dr. Bobby Jones, State Health Department, said the outbreak did cause a public health concern since humans can be infected with the disease through contact with infected animals or unpasteurized milk products. Jones said the farm family and others, about 35 persons total in the Halifax area will be tested on Monday. The results will be known within 72 hours.

Unlike avian influenza, which can be spread by vehicle or movement of persons from farm to farm, bovine TB can only be spread by close contact with the infected animal or person who is a carrier with open lesions in the lungs.

Pennsylvania has been free of bovine TB for 11 years and Van Buskirk said the length of the suspension of this certified TB free status will depend on where it is determined the cause of the problem originated. At present, officials have no clue. The animals have been exhibited extensively at shows and Van Buskirk said there has been known problems in Western feedlots from cattle shipped in from Mexico. Some of the states

where officials have determined health checks will need to be done included Ohio, Kentucky and California. While records are rather good, the memory of the farmer also will be needed to trace the movement of cattle from the herd over the last five years.

Officials did not think dairy shows in Pennsylvania would be suspended, and they were confi-

dent that there will be no suspension of shipment of cattle out of the state.

Until this outbreak, only about 12 herds in the nation had been known to be infected with bovine TB. The disease had been eradicated in the '30s and '40s by testing and eliminating all known infected animals in the national dairy herd.



Dr. Bobby Jones (left) and Dr. Max Van Buskirk at the PDA press conference.

Successful Jersey Sales

REYNOLDSBURG, OH — Two nationally prominent Jersey herds were dispersed on July 10 and 11 in New Jersey. The 281 head averaged nearly \$1,368.00.

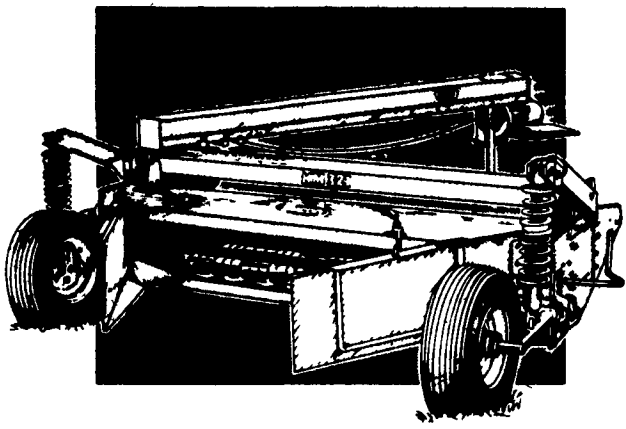
The Ogston Heritage Sale on July 10 saw 171 head average \$1,376.00. The top selling animal was Ogston Ventures Brass Era at \$5,100.00. The Bold Venture daughter was purchased by James and Sharon Osborne of Keymar, Maryland.

The second high selling cow, Ogston Top Brass Patricia, was struck off at \$4,300.00 to Luciene

Manile Santos of Sao Paulo, Brazil. Three additional lots sold for \$4,000.00 or more.

The Heron Run Farm Dispersal was held on the following day. The 110 lots averaged \$1,355.45. The high selling package included W.F. Brass Allure, and two recipient animals carrying her Soldierboy Boomer Sooner of CJF embryos. Roller Jersey Farm of Timberville, Virginia took home the animals for \$10,100.00. Herons Betsy was purchased by James Chaney of Bowling Green, Kentucky for \$6,200.00.

Fastest cut in the field



Get your hay in the windrow twice as fast as conventional systems with Vicon's KM mower conditioners.

High speed 3-bladed discs make 9000 cuts per minute lifting and slicing clean *without plugging*, even when hay is heavy and wet. Gentle, full width conditioning conserves leaves.

The patented drawbar and drive system lets you operate non-stop, cornering under full power without driveline vibration.

Want a faster harvest? Choose from four dependable KM models with working widths from 7' 10" to 10' 6", or the new 13' centrepivot unit.

And now, all models carry a new, two-year power train warranty!

Pennia. Dealers

BURCHFIELDS, INC.
112 S. Railroad St.
Martinsburg, Pa.
814-783-2184

STOUFFER BROS.
1088 Lincoln Way West
Chambersburg, Pa.
717-263-8424

MELVIN J. SHEFFER, INC.
121 Railroad St.
Hanover, Pa.
717-637-3808

TRIPLE H EQUIPMENT
RD 1 Box 141
Peach Bottom, Pa.
717-548-3775

M.M. WEAVER & SONS
189 N. Groffdale Rd.
Leola, Pa.
717-658-2321

Maryland Dealers

ELLIOTT EQUIP. & HARDWARE
Rt. 328 & Elliott Rd.
Easton, MD
301-822-8888

E.T. CLINE & SONS
510 E. Wilson Blvd.
Hagerstown, MD
301-739-2223

BEEMERVILLE EQUIP.
Rd 3, Box 610
Sussex, NJ
201-875-5672

SCHAPER BROS.
RD 6, Box 270
Bridgeton, NJ
609-455-1640

H.B. DUVALL
901 East Patrick St.
Frederick, MD
301-662-1125
(Outside MD) 1-800-423-4032



REED BROS.
Pollicot Bridge Rd.
Columbus, NJ
609-267-3383

POLE BUILDINGS

By Sam Stoltzfus



Maintenance Free
Painted, Galvanized Roof & Siding
Pressure Treated Poles & Skirting

TALBOTVILLE CONSTRUCTION

Honey Brook, PA

(215) 273-2870 (215) 273-3495 Res.

Fit Feet Aren't Tired Feet



Unlike horseshoes, close doesn't count in fitting workshoes! That's why this popular oxford comes in this wide range of sizes.

MADE IN USA

101

101 SIZES

AAA	AA	A	B	C	D	E	EE	H
10 15	9 15	7 1/2 16	7 16	6 1/2 15	5 16	6 15	6 14	5 1/2 14

4 1/2-16
AAA-
EEE

RED WING
SHOES

Call For
FREE
Red Wing Catalog

That's our answer to the man who says "I can't find a Pecos pull-on that fits"

1155

AAA	AA	A	B	C	D	E	EE	EEE
10-14	9-15	8-15	7-16	7-14	4 1/2-16	6-15	6-14	7-14

HOURS: Daily 8:30 A.M. to 6 P.M.; Fri. 'til 8 P.M.



Wayne's Dry Goods
271 W. Main St.
Kutztown, Pa.
Phone (215) 683-7686

MAIL
ORDERS
ACCEPTED

