



1979 & 1980 IH 686 Diesels, Operating But Can Use Cosmetic Work, Average 3500 Hours, Pick From 3, Come First And Pick The Best One.

\$4500 Each

Wengers, Inc.

251 S. Race St., Myerstown, Pa. 17067
717-866-2135 1-800-451-5240

M&R EQUIPMENT, INC.

Box 379 Marsteller Rd.
New Park, PA

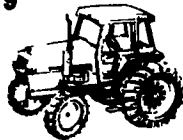
PH 1-717-993-2511
1-717-246-1972

**CASE IH FARM EQUIPMENT
IN STOCK - NEW**

885 Row Crop, FWD, Cab
485 2 WD, Hyd. Shuttle
900 Planter, 6 RN
5100 Drill, 16x7 Plain
96 Rake w/Dolly
245 Compact, FWD
Coming In - 485 2WD with Hyd.
Shuttle



600 Blower
5500 Chisel Plows 7' & 9'
370 Disc, 11'6"
2250 Loader
#40 Blade
#10 Blades



MARSHALL MACHINERY, INC.

30 Years Of Sales, Service & Parts

USED TRACTORS:

AC: 190XT; 8030; 7040, power shift; 6080 and 6060, 2& 4 wd; 5050, w/front end ldr.; 5040 w/ldr.; 185; 170.
DEUTZ: 6806 w/cab, low hours; 5206; 4006 w/loader; DX 130.
FORD: 7700; 7600, high clearance; 6600, 4WD; 5000; 4000; 3600; 3000 w/ldr.; 2000; 641 w/3 pth. forklift; 545 w/cab; 515 w/hydraulic drive, side mount rotary mower very clean, low hours; 8N's.
IHC: 2500, SERIES B, 3-PT. tractor/loader; 2400 w/front-end loader; 656 diesel hydro; 230 wide front end; 140 w/highway mower; CUB LOWBOY and Super A w/Mott hammerknife mowers; SUPER H; AV w/cultivator; SUPER MTA; CUBS, 1066, sharp.
JD: 2840 w/Cab; 630, 2510D P.S., 4020, 2440, 301 Industrial w/loader, 401, Industrial w/hyd. highway mower.
KUBOTA: 7100, 5100, 6000, 4950; 2550: w/front end ldr.; 2550 T/L/B. 175 w/belly mower.
MASSEY: 275; 135; 35. SAME: 85.
WHITE: 2-45 4WD w/loader.

MANURE EQUIPMENT:

NEW: FOR IMMEDIATE DELIVERY: Hedlund Martin: liquid tanks & manure pumps. 4 sizes SCAVENGER spreaders. NH: 304, sidekick. BOX SPREADERS: NI 243; 214; 212; 14A ground drive. NH: 328; 329. 125. IHC: 155. TANK SPREADERS: NH: 145 bushel right hand. Hawk: 207. Startline tandem axle right hand or left hand. LIQUID SPREADERS NI 800 gal. vacuum. Feed-Ez 3000 gal. tandem. Hedlund Martin: V1575. VanDale: 2200 gallon. Clay: 1000 gallon. SFM tandem spreader 3000 gallon. Hedlund Equalizer manure loader. USED: Badger and Hedlund Martin Lagoon Pumps.

MISCELLANEOUS MACHINERY:

NEW: Asplundh brush chipper, demonstrator.
NEW: WIC Equipment In Stock: Silage carts & bale mulchers.
USED: Small hammermill. Danuser heavy duty 3 pth post hole digger. Bobcat Tools for skid steer mounting: 907 backhoe, hyd. drive trencher and post hole auger. Westgo hyd. rock picker. NEW & USED: York 3 pt. rakes, gang mowers, Bush Hog and Woods 3 1/2, 4, 5, 6, 7 and 20' widths, rotary mowers.
NEW: NI: 325 2-row Corn Picker (narrow row) w/12 roll husking bed or super sheller. USED: MF 15' Stalk Shredder. GENERAC: 40,000 watt, continuous duty portable generator. HOWARD: Heavy duty 5', 3-point rototillers. Steiners: 40' silage conveyor. SPRAYERS: MEYERS: 500 gal., PTO trailer. 15 Miscellaneous Front End Loaders For Various Make & Model Tractors. Rear Scraper Blades- 3 Pt.- Hitch, Fast-Hitch And AC Snap-Couplers. MOTT: Flail Mowers, 3 PTH, 5' & 6'.

INDUSTRIAL EQUIPMENT:

NEW: Asplundh Chippers in stock. Tag-a-Long trailers: 4, 5, 9, 18, 20-ton, 35-ton detachable. USED: TAG-A-LONG TRAILERS: 3-axle, 9-ton. DOZERS WITH 6-WAY BLADES. AC: HD-3. FIAT ALLIS: FD-7. JD: 450C. CASE: 450C; 350. TD 15-B straight blade, w/tilt cylinder, completely reconditioned..ready for work. CRAWLER/LDRS: Used: CASE: 450 w/4 in 1 bucket. JD: 350. SKID-STEER LDRS: NH: 250, like new. L445 diesel. JD: 125. PAYLDRS: AC: 640; 840, 1 1/2 yd., articulating. Also: 1.7 yd articulated new. TRACTOR/LDR/BACKHOES: Case 580; Ford 555 w/extend-a-hoe. AC: 715-C; 615. KUBOTA: L3350, T/4D, 4wd, low hours. FORKLIFTS: NEW: INGERSOLL-RAND: 22', 6000 & 8000, w/capacity. AC: 706, rough terrain, heavy duty, 14' mast. 600: 21' mast. RAYGO: 2-ton vibratory roller. CRAWLER: Oliver OC3.

FORAGE & HAY EQUIPMENT:

NI Disc Bine 5209; DEMO- 316 Baler. HESSTON: 1050 Disc Bine. JD #30 Hyd. Bale Thrower Attachment. USED MOWER CONDITIONERS: NH 489; 477; 474; 472; Hesston 6600 Dsl., Self-Propelled; 1091; 1071; PT7; 1090; NI 270 Cut/ditioner. NH, FORD, JD, IHC 3-Point Sickle Bar Mowers. FAHR & KUHN 4-Star Centipede Tedders. BALERS w/THROWERS: DA 490. JD: 346. NH 316, 310; 275. ROUND BALERS: NI 484; 851- Sharp! FLAIL CHOPPERS: JD 16A. NH 38; 36. ROLLER BAR SIDE RAKES: NH; NI, IHC. PZ: 3PT Tedder Rake. FORAGE BOXES: Assorted Short-Hopper Forage Blowers & Windrow Pickup Heads.

PLOWS, TILLAGE & PLANTERS:

NEW: Brillion 5', 8', 10' cultipacker/seeder in stock.
USED BRILLION: 8' & 10' cultipacker/seeder.
RESET PLOWS: 3 point hitch & 3 bottom: JD, FORD, IHC and KVERNELANDS.
SEMI-MOUNT RESET PLOWS: JD 2600 Semi Mount 4 bottom variable width land plow. IHC: 710, 3X and 6X. 700: 4X. AC: 4X and 5X. KVERNELANDS: 4X. USED TRANSPORT DISCS: (8', 10', 12', 14' & 16'). CHISEL PLOWS: 7-14 shank, 3 point and trailer. HOWARD: HE 5' heavy duty 3 pth rototiller; DANISH: 3 pth., 4-row, cultivator w/Cole side dresser. HARROW: JD 950 15' roller.
PLANTERS: NEW: AC: 6-ROW, NO-TILL, @ discount price. USED: AC: 4-row, no-till. FORD, AC, JD: 3 pt., 2-row. Tye pasture pleaser, 3 pt. no-till seeder, practically brand new.

WE NOW STOCK RICHARDTON SIDE DUMPS

WE ARE NOW STOCKING MORITZ LIVESTOCK TRAILERS

Rt. 652, Midway Between Indian Orchard and Beach Lake.
WE SHIP PARTS DAILY BY UPS. Honesdale, PA 18431 Hours: 8-5 Mon.-Sat.
(717) 729-7117
Sales, Service & Parts For Deutz Allis, Kubota, New Idea, Hesston, Bush Hog And Brillion



Used Equipment

Lawn & Garden

Special

326 NH Baler With Hydramatic, Model 70 Bale Thrower, Stub Axle Kit, Hydraulic Drive For Bale Thrower, Directional Hydraulic Package For Thrower & Wagon Hitch \$12,096.00

- 1 - IH 430 Baler w/Thrower
 - 1 - IH 37 Baler w/Thrower
 - 1 - 1495 Hayliner w/new rolls planetary dr.
 - 1 - 489 Haybine
 - 1 - 270 Hayliner
 - 1 - KU 250 Deutz rake (Demonstrator)
 - 1 - NH 29' Bale Elevator
 - 1 - 782 Harvester w/Forage Head
 - 1 - 731 Bobcat Steerloader w/6' Bucket
 - 1 - Kreider Hay Box on 8 Ton McCurdy Wagon Gear (New)
 - 2 - Farmall M Tractors
 - 1 - 1850 Oliver Tractor w/Front Wheel Assist
 - 1 - IH 495 Flail Chopper
 - 1 - IH 225 Self Propelled Mower Conditioner
 - Bunk Feeders including, taper board feeders & elevators
 - 731 Bobcat Steerloader w/6' bucket & Perkins engine
- Avoid the delay, order your hay & corn elevators now

380 Series Zimmerman Elevators

28' Zimmerman Elevator w/55 Chain	\$1,775	
32' Zimmerman Elevator w/55 Chain	\$1,850	
36' Zimmerman Elevator w/55' Chain	\$2,065	
40' Zimmerman Elevator w/55' Chain	\$2,120	
Options on Elevators Extra		
PTO Available On 28', 32', 36', 40'		
880 Series Zimmerman Elevators		
24' Portable.....	\$1,280	
32' Portable.....	\$1,380	All
40' Portable.....	\$1,480	Unassembled
48' Portable.....	\$1,645	

This Week Special

36" Zimmerman 2 Stage Wall Fan w/1/2 HP Motor	\$688
36" Zimmerman Portable Fan w/1/2 HP Motor	\$608
48" Zimmerman Portable Fan w/1 HP Motor	\$743
24" Circulating Fans	
Show Ease Stalls & Fabrication	
Gutter Grates - Windows	
Cow Mats	



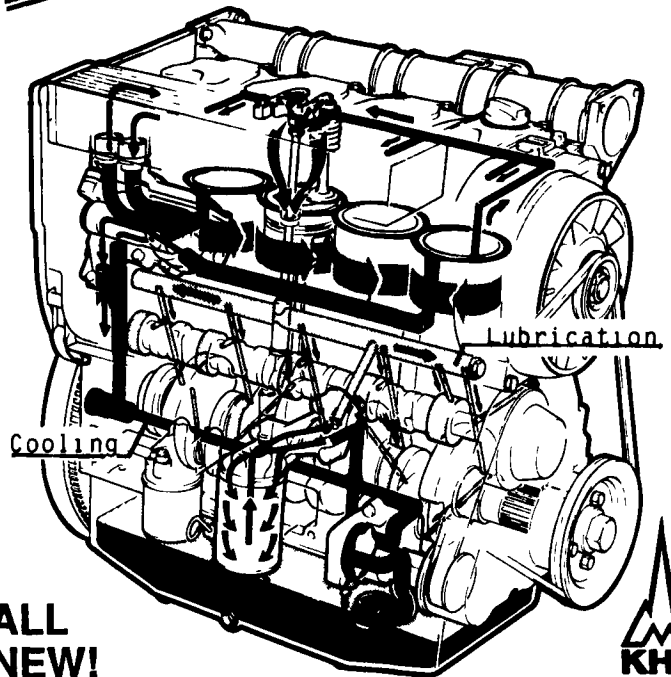
BHM Farm Equipment

RD #1 Annville, PA (717) 867-2211
Evenings 738-1718



NEW

DEUTZ DIESEL



ALL NEW!



Series 1011 Diesel Engines -

QUIETER, SMOOTHER, SMALLER

Unique combination oil cooling & air cooling system offers the best of both worlds in a small portable diesel. Very quiet operation plus the high reliability and compactness of an air cooling system

Built in 2 cyl., 3 cyl. & 4 cyl. versions. Sized at 42 CID per cylinder. Output of 15 HP up to 50 HP at up to 3000 RPM.

EXCELLENT PORTABLE EQUIPMENT ENGINES

- Distributed By -

Stauffer Diesel Inc.

46 Pleasant Valley Road
Ephrata, PA 17522
(717) 738-2500

48 Buttermilk Hollow Road
Irwin, PA 15642
(412) 864-6969