

2 Large all-metal grain storage buildings on site-Boyertown. Both \$1,000. You remove! 215/666-7041 or 215/666-7040. Leave message

FOUR 10,000 bushel Martin Grain Bin. Must be dismantled. Best Offer. Must Sell! 717/784-0111, ask for Dave; 717/889-3121, ask for Bill

For Sale 3,000 Bu. Superior grain bin, good condition. John M. Stoltzfus, 200 Blank Rd., Narvon, PA 17555, Lancaster Co.

For Sale: STORMOR EZ DRY-continuance flow dryer in a 30' dia. bin-14,500 bus. cap. with 2 36" fan and heater units, 3hp aeration fan, aeration floor, 8" dia. unload auger and bin stairs, excellent condition. Call 717-367-6309 or 717-656-0140.

Complete Universal 2" SS pipeline system for 88 cows w/7 1/2 h.p. pump, 8 full view units, washer, like new condition, \$9,000.; (2) Berg Choremaster barn cleaners w/282' chain each, used 2 yrs., \$3,250. each. Lackawana-Co., Pa. 717-587-1725

For Sale: 414 ft. of 1 1/2" stainless steel pipeline with 6 DeLaval new style claw w/DeLaval new electronic electric pulsation, Surge 100+ cfm vacuum pump, 5 horse motor & automatic washer, \$2,000. 814-367-2936

For Sale DeLaval 77 Vacuum Pump, complete with 3HP motor and vacuum tank. \$175. 215-445-6156.

Mojonnier Bulk tank, 500 gals., with compressor and motor, \$1,000. 215-679-2065 or 215-536-8620.


Six used Waikato milk meters & six used DeLaval auto-cords. Ashby Farm Service. 703-434-9943

Want To Buy 2,000 gal. Mueller Tank, Model O,OH,OF. 804-993-3750.

12 DeLaval automatic takeoffs; 5 hp, Model V16799; Refrigeration 26 R12, gas; Alfa Laval feeding system; Yield Master DeLaval weigh meters. All computerized. Lease take-over. 120 Norbco Pre-Stalls Partitions 5 and 6 footers. 220 Transponders. (717) 784-4499

L.H. Martin Construction
Specializing In New & Used Grain Tanks, Built and Dismantel
RD #1 Box 224 EE Myerstown, PA 17067
(717) 933-8287

WESTFALIA
• Bucket Milkers
• Vacuex Regulators
• 6 Nipple Washers
1st Quality Service & Sales



Double Six Boumatic Parlor
12-way jars, 12 2100 take-off with control box, 12 pulsators and control, automatic washer, 2" low line and receiver, vacuum pump, etc.
301/692-6724 eves.
301/692-6561 days

ATTENTION BUY OUT FARMERS
We Need Good Used Tanks
600 - 6,000 Gal. - Call Us

USED BULK TANKS
All Tanks Guaranteed A-1 Working Condition

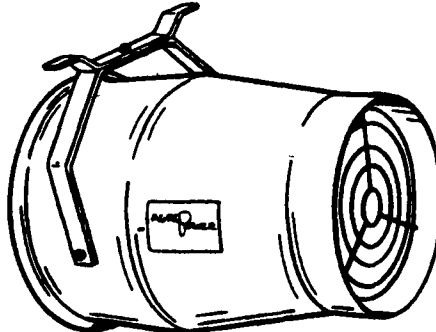
- 200 Gal. DeLaval
- 235 Gal. Sunset
- 250 Gal. Dari-Kool
- 300 Gal. Solar
- 300 Gal. Sunset
- 300 Gal. Self Contained
- 375 Milkkeeper Self Contained
- 400 Gal. Girton
- 400 Gal. Jamesway
- 400 Gal. Milkkeeper
- 400 Gal. Mojonnier
- 500 Gal. Girton
- 500 Gal. Surge
- 500 Gal. Unico
- 500 Gal. Jamesway
- 500 Gal. Milkkeeper
- 500 Gal. Van Vetter
- 500 Gal. Mojonnier
- 535 Gal. Sunset
- 600 Gal. Sunset
- 600 Gal. DeLaval
- 600 Gal. Girton D4
- 600 Gal. Jamesway
- 600 Gal. Milkkeeper
- 625 Gal. Sunset
- 700 Gal. Mueller
- 735 Gal. Sunset
- 750 Gal. John Wood
- 800 Gal. Girton
- 800 Gal. Milkkeeper
- 800 Gal. Mueller "OB"
- 800 Gal. Zero T-20
- 800 Gal. Girton D5
- 1000 Gal. Girton
- 1000 Gal. Mueller "OH" Recond.
- 1000 Gal. Mueller "O"
- 1000 Gal. Mueller "OH"
- 1000 Gal. Girton D5
- 1000 Gal. Girton D4 Recond.
- 1240 Gal. Girton
- 1250 Gal. Mueller "OH"
- 1250 Gal. Mueller "OH" Recond.
- 1250 Gal. Mueller "OH"
- 1250 Gal. Mueller "M"
- 1250 Gal. Mueller "OH" Recond.
- 1250 Gal. Milkkeeper
- 1500 Gal. Mueller "O" Sweet Water
- 1500 Gal. Zero
- 1500 Gal. Mojonnier
- 1500 Gal. Girton
- 1500 Gal. Mueller "M"
- 1500 Gal. Mueller "OH" Digital
- 2000 Gal. DeLaval
- 2000 SOLD OH "O"
- 2500 Gal. DeLaval Nice
- 6000 Gal. Zero (late model)
- 6000 Gal. Mueller

• 600 GAL. 31" POURING HEIGHT VERY NICE
400, 500, 600, 800 & 1000 Gal. (Storage Tanks)
• Used 3 & 5 H.P. Electric Motors

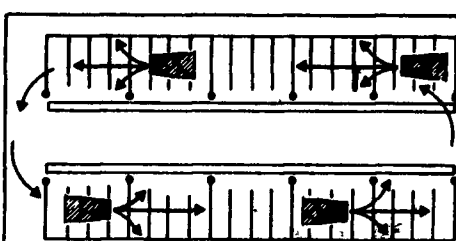
GSI **MC** **Sweet**
Grain Bins Dryers Elevators
Sone's Grain Systems
Jim & John
Check Our Prices Before You Order
We Personally Install Everything We Sell
R.D. #1, Box 417 Muncy, PA 17756
717-584-2282
Hutchinson **Sukup**
Augers Grain Handlers

END-OF-MILKING INDICATOR FOR PIPELINE & BUCKET MILKERS
LLOYD RANCK
(717) 687-6361

Agro Power Funnel Fan (Poly Housing)



- Sizes 16-20-24
- Single, two, variable speed



Fan Placement
Agro Power Inc.
1812 W. Johnson St.
Fond Du Lac, Wis.
414-922-0064

USED COMPRESSORS
3 H.P., 4 H.P., 5 H.P. — R12 & R22
24 Hrs. - 7 Days A Week - Refrigeration Service
Installation, Sales And Service
RAY SHENK
305 E. Woods Drive Litz, PA 17543
Sales 717-626-1151
24 Hr. Service 717-627-2747

Grain Bin, 7,000 bushels. Perforated floor, dryer and distributor. Baltimore Co. 301/343-1077

MC 250 continuous grain dryer, single phase, always under roof, excellent condition. 302-378-9477

Must Sell Grain Dryer, 10,000 bu. capacity w/ propane heater, 13 h.p. fan, air way system. Call Don, best time after 8 p.m. 301-836-3770

6 DAIRY EQUIPMENT

USED TANKS
400 Gal. Mueller "M"
600 Gal. Girton D2
600 Gal. Girton D4, 2" Valve, Nice
800 Gal. Girton D2
800 Gal. Mojonnier
900 Gal. Mueller "OH"
1000 Gal. Dari-Kool
1500 Gal. Sunset
Hagerstown, MD
301-797-3921

3000 **SOLD** D5
1000 Girton D4
1000 Girton D2
900 Mueller "OH"
(2) 600 Mojonnier
500 Mojonnier
(1) 500 Girton
(2) 500 Milkkeeper
500 Mojonnier
415 Sunset
545 Sunset
400 Mojonnier
400 Girton
400 Jamesway
(2) 300 Girtons
300 Sunset
300 Zero
Holding Tanks Available
Used Compressors.
All tanks are in stock, in good condition & ready for immediate delivery

MARTIN'S REFRIGERATION INC.
Fayetteville, PA
717-352-2783

RUBBER MATTING AND USED BELTING
• COMFORT STALLS • FREE STALLS
• HORSE STALLS • CATTLE & HORSE
• HOG PENS & HOUSES • TRAILERS
All Sizes Available & Custom Cut
Phone 301-885-5045

6 DAIRY EQUIPMENT

25 Showeze tie stalls. 25 Girton "V" stalls. Universal 24V stallcocks and pulsation controls. DeLaval 12V stallcocks and pulsation controls. (2) Universal vacuum pumps, 3hp, 27 CFM. 1 1/2" glass pipeline, receiving jar and washer. (717)928-8616.

80' Jamesway belt shuttle feeder, \$600. Franklin County. (717)267-3492.

Closing dairy farm, Must Sell. New Boumatic complete computer feeding system. Call Bill, after 7 p.m. 717-529-2569

For Sale: Calf hutches & kennels w/inside feeding alley. Stoltzfus Woodwork, Box 616, White Horse Rd., Gap, PA 17527. Call 717-442-8972

FOR SALE: Used Surge Mini-Orbits, used Nupulse, Universal, Bou-matic & DeLaval claws, shells, pulsators etc. Used 65 lb. DeLaval, Surge & Bou-matic weigh jars. New & used 40 to 75 lb. buckets & complete bucket units. FREE UPS shipping. Satisfaction guaranteed. E-Zee Milking Equipment, Kinzers, Pa. 17535. 717-354-4346

For Sale: 1985 5x18 Semen tank, plus 60 Straws of Semen from Atlantic and Sire Power. Dauphin Co. 717/692-3718 evenings

For Sale 400 Gal. Mojonnier tank also 500 gal Solar. Both in good shape. 301-334-2900 Garrett Co., MD.

Calumet
FOR SALE OR LEASE


- Spreader Tanks - 2250 Thru 6500 Gallons
- Vacuum Tanks - 1500 Thru 4500 Gallons
- Earthen Pit Pumps
- Vertical Shaft Pumps
- Truck Mount Tanks - 2250 Thru 4500 Gallons
- Propeller Agitator
- Replacement Vacuum Pumps - 177 Thru 353 CFM's

Used Equipment

- BETTER BILT 2100 GAL. VAC. TANK w/2 SHANK INJECTOR

F. ERNEST SNOOK
RD 3, Box 84, Mifflinburg, PA 17844
PH: (717) 966-2736
"WE'RE HERE TO SERVE YOU"

You'll Both Get Better Sleep...
When your cows sleep on kiln-dried sawdust bedding.



Because it is dried down to approximately 3% moisture it will absorb more, you'll use less, and your cows will stay drier.
You'll Rest Easy because your cows are dry and comfortable. PLUS your vet bills may be reduced.

Kiln Dried Sawdust ON SPECIAL NOW!

ZOOK & RANCK, INC.
RD #1 GAP, PA 17527 - (717) 442-4171
Open 8 - 4:30 Daily, Sat. by appt.

