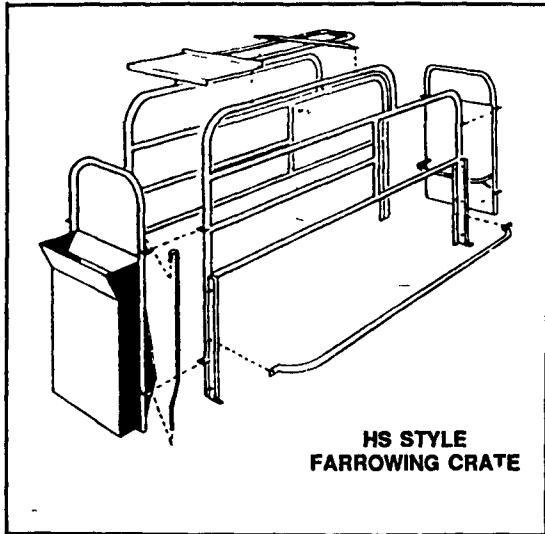
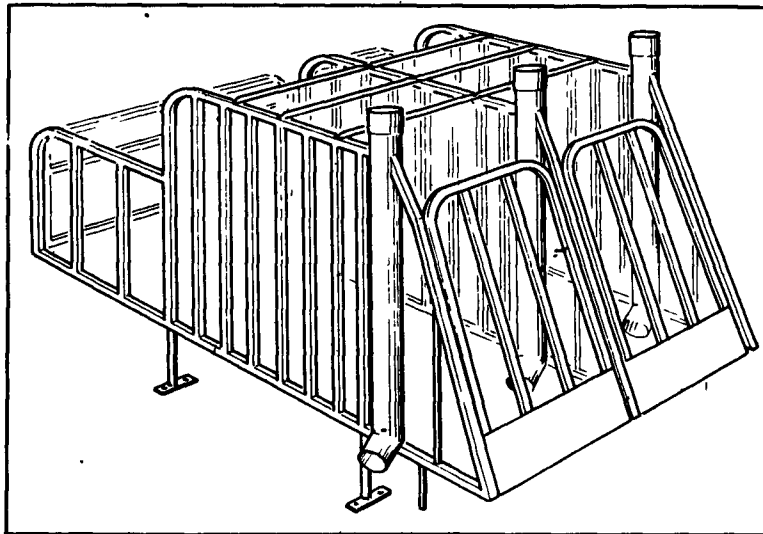


GESTATION STALLS & FARROWING CRATES



HS STYLE FARROWING CRATE



MS STYLE FARROWING CRATE

FEATURES

- Heavy tubing or solid rod construction
- Hot dip galvanized finish
- Doors with hinge pins open both ways
- Back up bar moves out of way with back door
- Full front feeder door
- Draft barrier brackets installed
- Optional creep feeders
- Selection of raised decks
- Available in 6'6" or 7' lengths and 18"-20"-22"-24" widths

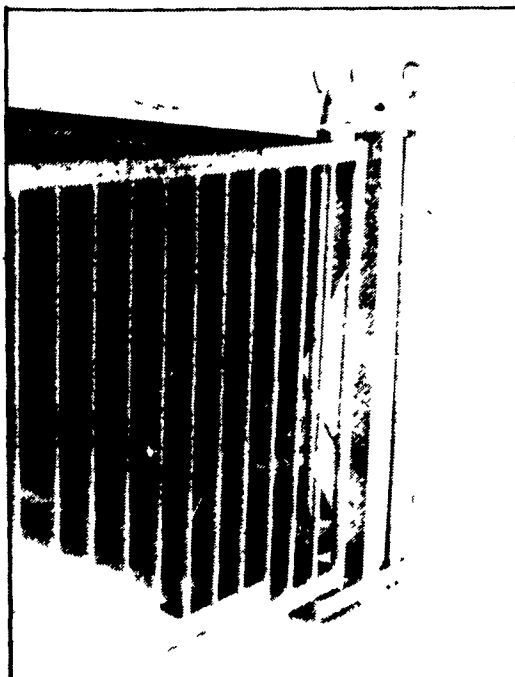
Features:

- 1" solid rod leg
- 1/2" flat steel foot
- .100" steel tubing or 15/16" solid rod
- Optional built-in drop tubes for automatic feeding
- 36" or 41" overall height
- 78" or 84" overall length
- 18", 20" or 24" widths
- Front and back doors open both ways
- Available in hot dipped galvanized
- Gate assembly from rear or side available on gestation stall to eliminate posts for boar pen installations.
- Stainless steel trough available to fit stalls

New Features

- Sow actioning "Pig Saver Bar"
- Reduces to 18" ID area
- Crate 23" ID
- Heavy 1 1/4" Construction
- Adjustable roll bar 30" ID
- Double vertical back-up bars

PENNING & DRY FEEDERS



FEATURES

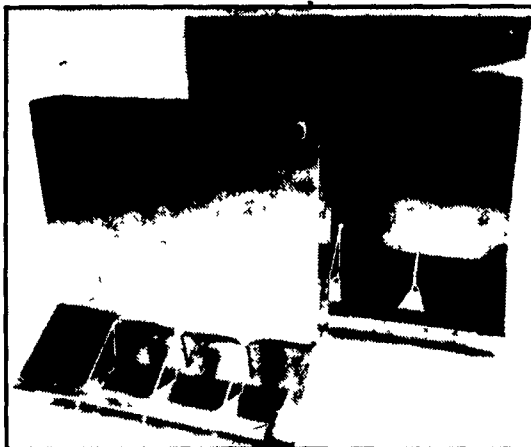
- Full range of sizes available
- Heavy duty 1-5/16" round tubing frame
- Top quality welding
- Fast and easy access with gate pins
- Compatible with BCB stainless steel feeders
- Available black, painted or galvanized.

BCB Equipment has a full line of heavy duty Penning for pre-nursery to grower and finishing stages. Except for the pre-nursery model, all styles are constructed using 1-5/16"x.100 tubing top and bottom, securely welded to insure confinement while access to the pens is quick and easy by just removing a gate pin. All Penning is compatible with BCB stainless steel feeders and is available black, painted or galvanized.



FEATURES

- Stainless steel construction
- Safety-rolled edges
- Deep trough design
- 2" feed saving lip
- Sloped floor for full feed distribution
- Adjustable feed gate
- Optional crank control

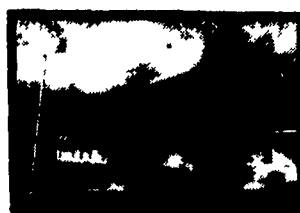


- Anti-slip rubber feet
- Nursery and finishing styles
- 30 models to choose from

HESHEY EQUIPMENT COMPANY, INC.

SYCAMORE IND. PARK
255 PLANE TREE DRIVE
LANCASTER, PA 17603
(717) 393-5807

Route 30 West
at the
Centerville Exit.



Designers of Quality Systems for Poultry, Swine and Grain Handling

Rough Riders 4-H Club Holds Show

QUARRYVILLE (Lancaster Co.) — The Rough Riders 4-H Horse and Pony Club held their annual Grooming and Showmanship on Sunday, June 11. Judging was Jessica Watts of Denver, Pa. Results were as follows:

Division 1: 1. Taurie Powell, 2. Becky Aukamp, 3. Tina Henry, 4. Jean Pannell, 5. John Krueger, 6. Danielle Nickle.

Division 2: 1. Adelle Nickle, 2. Spring Yaunts, 3. Dave Nickle, 4. Angie Workman.

Division 3: 1. Kim Jackson.

Members have to show in their club Grooming and Showmanship in order to be eligible to show in the Lancaster County Round-Up on July 15, at the Lower Hopewell Horse Center, Lititz, Pa.

Congratulations to all Rough Riders for their efforts.

For information on joining our club, call Maryann Tice 284-2989 or Carol Melasecca 529-6668.

Scholarship To Maryland Youth

MINNEAPOLIS, MI — Stewart Walker III, a 1989 graduate of Damascus High School, has been awarded a \$1,000 college scholarship by the Cargill Foundation.

Walker plans to enter Frostburg State University this fall to study history.

The scholarship is one of 200 awarded by the Cargill Foundation to 1989 high school graduates from farm families in 50 states. This year's scholarship program, in its fourth year, attracted 3,000 applicants.

The Cargill Foundation is a charitable arm of Cargill, a diversified agribusiness company based in Minneapolis.

The \$200,000 Cargill Scholarship Program for Rural America is designed to recognize and encourage academic achievement, accomplishments and talents of young people from farm families throughout the United States.



Forman's Crop Protection Headquarters

For Your Spray Material

- ATRAZINE
- BICEP
- COUNTER
- DUAL
- DYFONATE
- EXTRAZINE
- FORCE
- FURADAN
- GRAMOXONE
- GUARDIAN
- ISOTOX
- LASSO
- LINURON 4L
- LORSBAN
- MARKSMAN
- PURSUIT
- PRINCEP
- PROWL, ETC.

Forman's Grain and Fertilizer

OATS, CLOVER, SOYBEANS
ALFALFA SEEDS

Beaver Run Road
R.D. #1, Box 78, Turbotville, PA 17772
(717) 649-5579